

## S1D13506 Color LCD/CRT/TV Controller

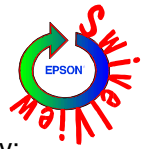
March 2009

The S1D13506 is a color LCD/CRT/TV graphics controller interfacing to a wide range of CPUs and display devices. The S1D13506 architecture is designed to meet the low cost, low power requirements of the embedded markets, such as Mobile Communications, Hand-Held PC's, and Office Automation.

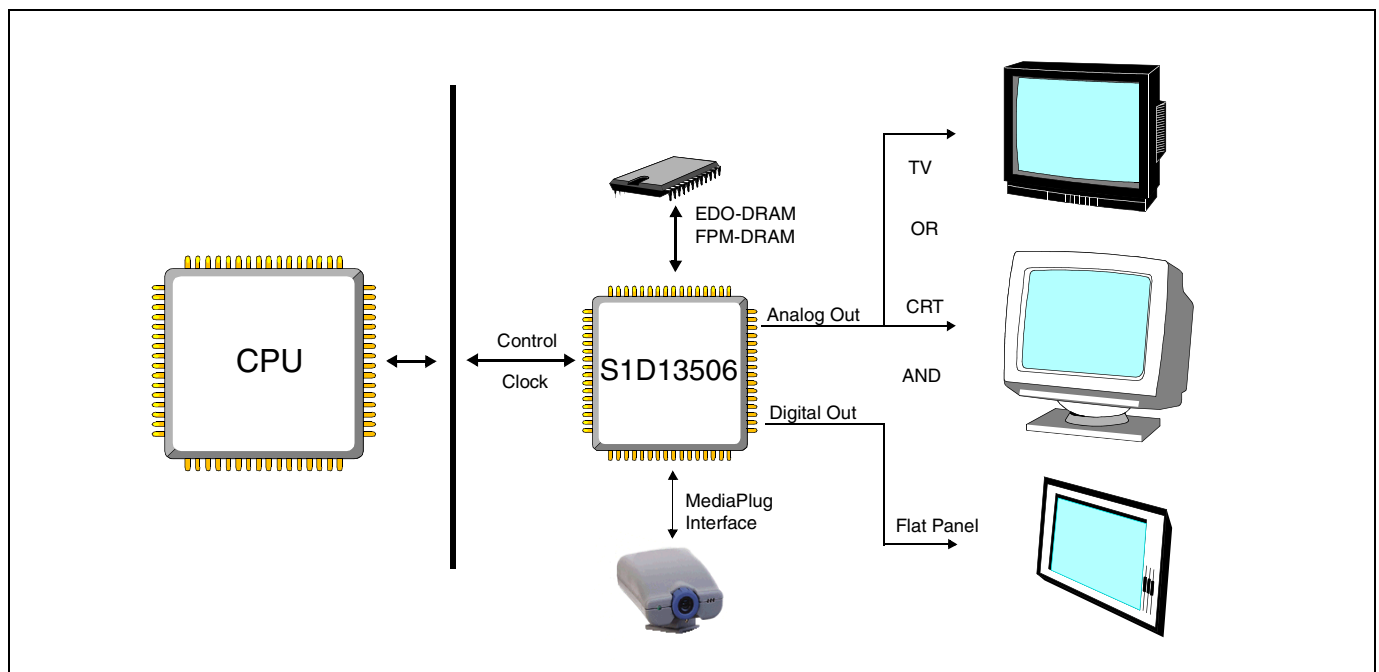
The S1D13506 supports multiple CPUs, all LCD panel types, CRT, TV, and additionally provides a number of differentiating features. Products requiring digital camera input can take advantage of the directly supported WINNOV VideumCam™ digital interface. EPSON Independent Simultaneous Display allows the user to configure two different images on two different displays, while the SwivelView™, Hardware Cursor, Ink Layer, and BitBLT engine offer substantial performance benefits. These features, combined with the S1D13506's Operating System independence, make it an ideal display solution for a wide variety of applications.

### ■ FEATURES

- 16-bit EDO-DRAM or FPM-DRAM interface.
- Memory size options:  
512K bytes using one 256K×16 device.  
2M bytes using one 1M×16 device.
- Multiple CPU interface support.
- Resolutions up to:  
640×480 at a color depth of 16 bpp.  
800×600 at a color depth of 16 bpp.
- Display Support for:  
4/8/16-bit passive panels.  
9/12 TFT/D-TFD panels.  
18-bit TFT/D-TFD to a depth of 64K colors.  
CRT.  
NTSC and PAL TV Output.
- SwivelView™: 90°, 180°, 270° hardware rotation of displayed image.
- EPSON Independent Simultaneous Display: displays different images on different displays.
- Virtual Display Support: displays images larger than the panel size through the use of panning.
- Hardware Cursor or full screen Ink Layer.
- 2D BitBLT Engine.
- WINNOV Videum® Cam digital camera interface.
- Software initiated Power Save Mode.
- Operating System Independent.



### ■ SYSTEM BLOCK DIAGRAM



## S1D13506

### DESCRIPTION

#### Memory Interface

- 16-bit EDO-DRAM or FPM-DRAM interface.
- Addressable as a single linear address space.

#### CPU Interface

- Supports the following interfaces:
 

EPSON E0C33	NEC MIPS VR41xx
Hitachi SH-4/SH-3	PC Card (PCMCIA)
ISA bus	Philips MIPS PR31500/PR31700
Motorola M68xxx	StrongARM (PC Card)
Motorola MPC821	Toshiba MIPS TX39xx
MPU with programmable READY	

- CPU Write buffer.

#### Display Support

- LCD Panels: 4/8/16-bit passive LCD interface.  
9/12-bit TFT/D-TFD.  
18-bit TFT/D-TFD to a depth of 64K colors.
- CRT: Embedded RAMDAC for direct analog CRT.
- TV: Composite/S-Video TV output.  
NTSC/PAL support.  
Flicker filter.  
Luminance filter.  
Chrominance filter.
- Maximum resolution of 800x600 at 16 bpp.

#### Power Down Modes

- Software initiated power save mode.
- LCD Power Sequencing.

#### Digital Video Camera Interface

- Built-in WINNOV Videum® Cam digital camera interface.

#### Display Modes

- 4/8/16 bit-per-pixel (bpp) support on LCD, CRT and TV.
- Up to 64 shades of gray on monochrome LCD panels using FRM and Dithering.
- Up to 64K colors on passive LCD, active matrix TFT/D-TFD, CRT and TV in 16 bpp modes.
- SwivelView™: 90°, 180°, 270° hardware rotation of displayed image.
- EPSON Independent Simultaneous Display (EISD): displays different images on different displays.
- Virtual Display Support: displays images larger than the panel size through the use of panning and scrolling.
- Hardware Cursor or full screen Ink Layer.

#### Acceleration

- 2D Engine including the following BitBLTs:
 

Write BLT	Move BLT
Solid Fill	Pattern Fill
Transparent Write BLT	Transparent Move BLT
Read BLT	Color Expansion
Move BLT with Color Expansion	

#### Operating Voltage

- 2.7 volts to 5.5 volts.

#### Package

- 128-pin QFP15.

### CONTACT YOUR SALES REPRESENTATIVE FOR THESE COMPREHENSIVE DESIGN TOOLS

- S1D13506 Technical Manual
- S5U13506 Evaluation Boards
- CPU Independent Software Utilities
- QNX® Photon Display Driver
- VXWorks® UGL and WindML Display Drivers
- Windows® CE Display Driver

#### Japan

Seiko Epson Corporation  
IC International Sales Group  
421-8, Hino, Hino-shi  
Tokyo 191-8501, Japan  
Tel: +81-42-587-5814  
Fax: +81-42-587-5117

#### North America

Epson Electronics America, Inc.  
2580 Orchard Parkway  
San Jose, CA 95131, USA  
Tel: +1-800-228-3964  
Fax: +1-408-922-0238

#### China

Epson (China) Co., Ltd.  
7F, Jinbao Bldg.  
No. 89 Jinbao St.  
Dongcheng District  
Beijing 100005, China  
Tel: +86-10-6410-6555  
Fax: +86-10-6410-7320

#### Taiwan

Epson Taiwan Technology & Trading Ltd.  
14F, No. 7  
Song Ren Road  
Taipei 110, Taiwan  
Tel: +886-2-8786-6688  
Fax: +886-2-8786-6660

#### Hong Kong

Epson Hong Kong Ltd.  
20/F, Harbour Centre  
25 Harbour Road  
Wanchai, Hong Kong  
Tel: +852-2585-4600  
Fax: +852-2827-4346

#### Europe

Epson Europe Electronics GmbH  
Riesstrasse 15  
80992 Munich, Germany  
Tel: +49-89-14005-0  
Fax: +49-89-14005-110

#### Singapore

Epson Singapore Pte., Ltd.  
1 HarbourFront Place  
#03-02 HarbourFront Tower One  
Singapore 098633  
Tel: +65-6586-5500  
Fax: +65-6271-3182

#### Korea

Seiko Epson Corp.  
Korea Office  
50F, LKI 63 Bldg.  
60 Yoido-dong, Youngdeungpo-Ku,  
Seoul, 150-763, Korea  
Tel: +82-2-784-6027  
Fax: +82-2-767-3677

© SEIKO EPSON CORPORATION 1998-2009. All rights reserved.

Information in this document is subject to change without notice. You may download and use this document, but only for your own use in evaluating Seiko Epson/EPSON products. You may not modify the document. Epson Research and Development, Inc. disclaims any representation that the contents of this document are accurate or current. The Programs/Technologies described in this document may contain material protected under U.S. and/or International Patent laws.

EPSON is a registered trademark of Seiko Epson Corporation. Microsoft, Windows, and the Windows Embedded Partner Logo are registered trademarks of Microsoft Corporation. Videum is a registered trademark of WINNOV.

VDC