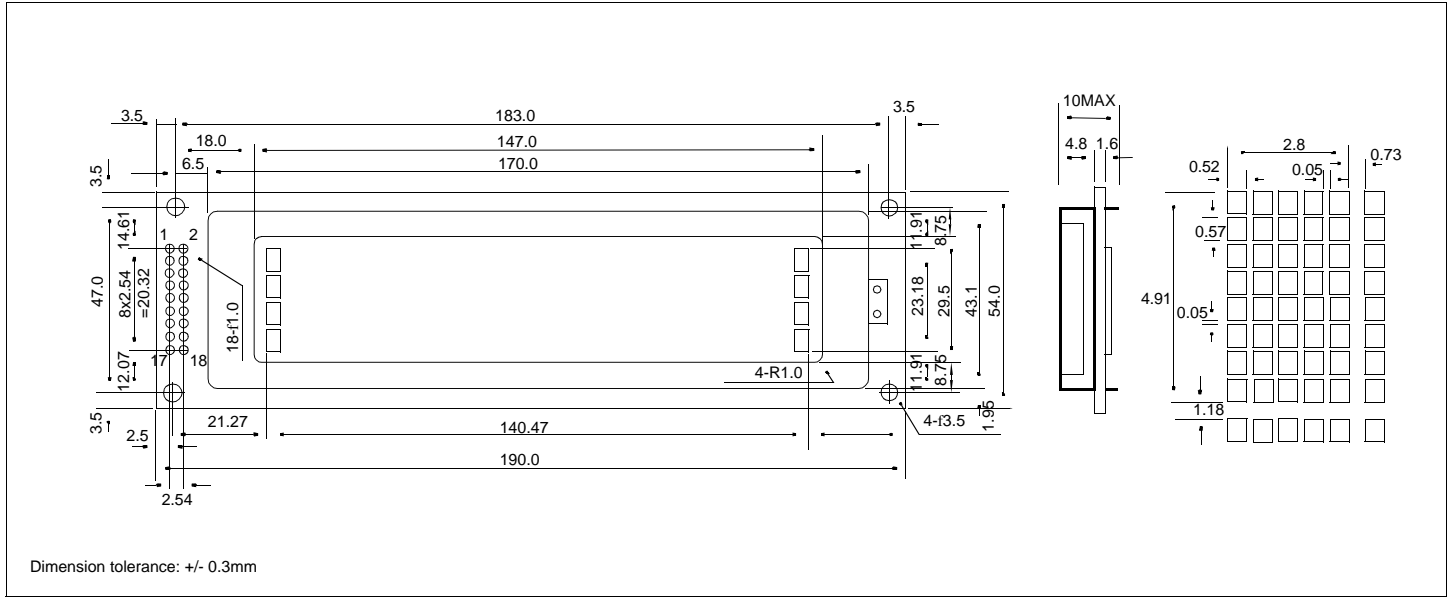


HDM40416H-5

Dimensional Drawing

40 Character x 4 Lines



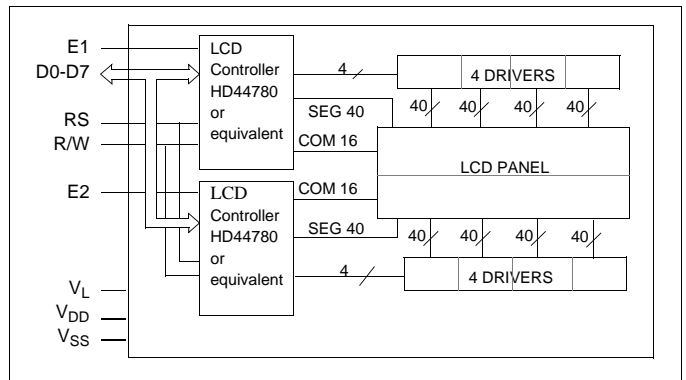
Features

Character Format5x7 Dots with Cursor
 Backlight.....EL Optional
 Options.....TN/Gray STN/Yellow STN, 12 o'Clock/6 o'Clock View
 Normal/Extended Temperature
 Normal/Negative Displays

Physical Data

Module Size.....190.0W x 54.0H x 10.2T mm
 Viewing Area Size.....147.0W x 29.0H mm
 Weight.....70g

Block Diagram



Absolute Maximum Ratings

PARAMETER	SYMBOL	MIN	MAX	UNIT
SUPPLY VOLTAGE	$V_{DD}-V_{SS}$	0	7.0	V
SUPPLY VOLTAGE FOR LCD	$V_{DD}-V_O$	0	13.5	V
INPUT VOLTAGE	V_{IN}	V_{SS}	V_{DD}	V
OPERATING TEMPERATURE	T_{OP}	0	50	°C
STORAGE TEMPERATURE	T_{STG}	-20	70	°C

Electrical Characteristics (VDD=5.0±0.25V 25°C)

PARAMETER	SYM	CONDITION	MIN	TYP	MAX	UNIT
INPUT HIGH VOLTAGE	V_{IH}	-	2.2	-	-	V
INPUT LOW VOLTAGE	V_{IL}	-	-	-	.6	V
OUTPUT HIGH VOLTAGE	V_{OH}	$I_{OH}=0.2mA$	2.4	-	-	V
OUTPUT LOW VOLTAGE	V_{OL}	$I_{OL}=1.2mA$	-	-	0.4	V
POWER SUPPLY CURRENT	I_{DD}	$V_{DD}=5.0V$	-	1.0	2.2	mA
POWER SUPPLY FOR LCD	$V_{DD}-V_L$	$TA=25°C$	4.3	-	4.7	V
DRIVE METHOD	1/16 Duty					

Pin Connections

PIN NO.	SYMBOL	LEVEL	FUNCTION
1	D7	H/L	Data bus
2	D6	H/L	
3	D5	H/L	
4	D4	H/L	
5	D3	H/L	
6	D2	H/L	
7	D1	H/L	
8	D0	H/L	
9	E1	H,HÆL	Enable
10	RW	H/L	H: Data read L: Data write
11	RS	H/L	H: Data input L: Instruction input
12	V_L	-	Operating voltage for LC
13	V_{SS}	0V	Ground
14	V_{DD}	5V	Power supply for logic
15	E2	H,HÆL	Enable
16	N/C	-	No-connection
17	A	-	Anode for LED backlight
18	K	-	Cathode for LED backlight