

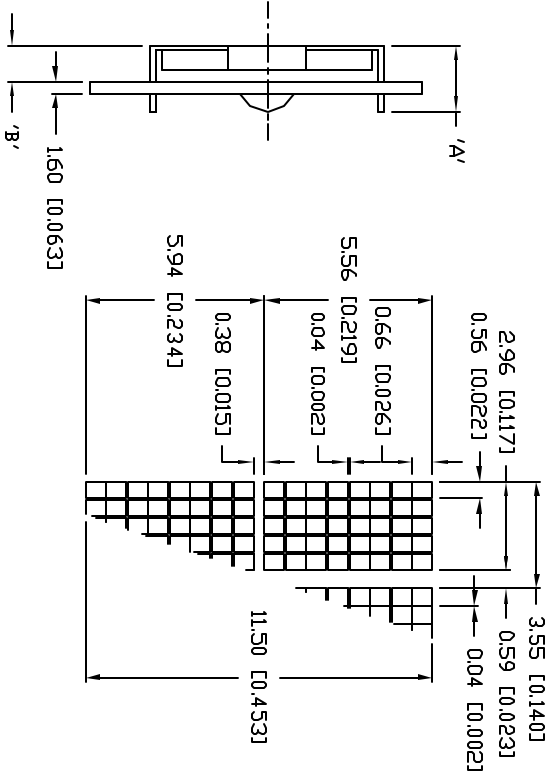
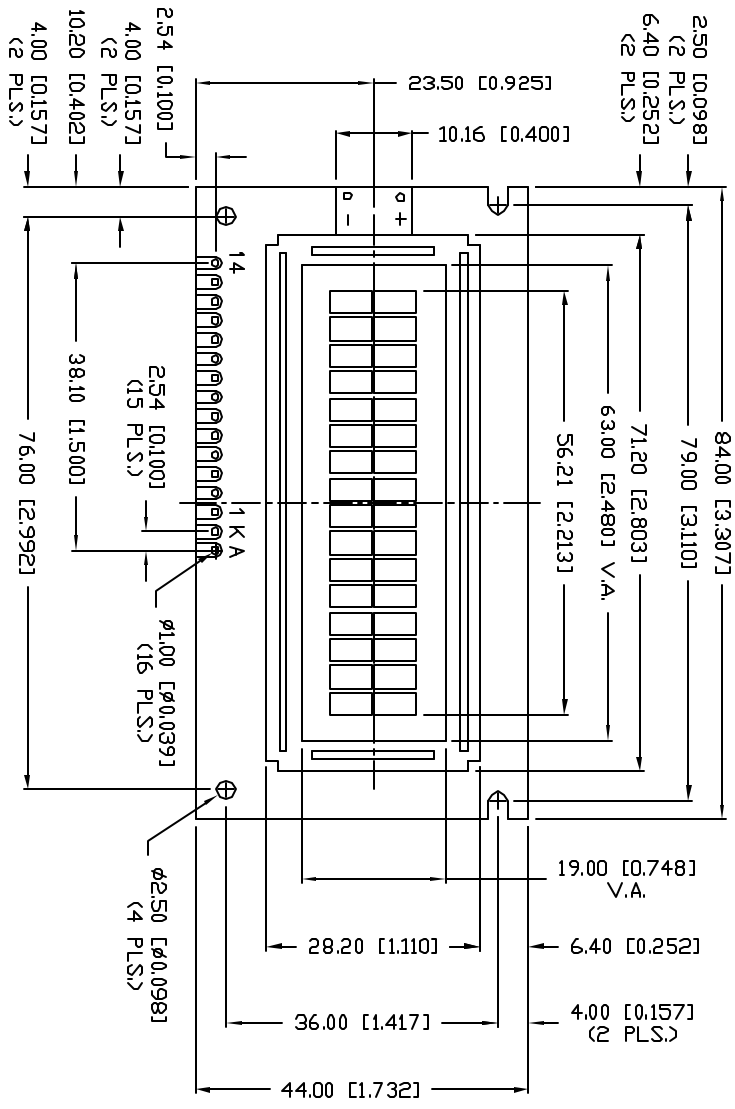
LCM-S01602DSF/G-Y

REV. E.C.N. NUMBER AND REVISION COMMENTS DATE

REV.

PART NUMBER

TYPE	DM.	A	B
WITH BACKLIGHT	12.7	8.1	
NO BACKLIGHT	8.1	4.1	



CAUTION: STATIC SENSITIVE DEVICE
 FOLLOW PROPER E.S.D. HANDLING PROCEDURES
 WHEN WORKING WITH THIS PART.

*UNLESS OTHERWISE SPECIFIED TOLERANCE IS ±0.25mm (±0.010")



290 E. HELLEN ROAD
 PALATINE, ILLINOIS 60067
 PHONE: 1-847-359-2790
 WEB: HTTP://WWW.LUMEX.COM

DRAWN BY: SA/BC
 CHECKED BY:
 APPROVED BY:
 DATE: 3-25-99
 PAGE: 1 OF 2
 SCALE: N/A

PART NUMBER

LCM-S01602DSF/G-Y

REV.
 5.56mm TALL, 5 x 8 DOT MATRIX, 16 x 2 CHARACTER LCD
 MODULE, TRANSLUCENT, STN YELLOW, 1/16 DUTY, 1/5 BIAS.

CONFIDENTIAL INFORMATION
 THE INFORMATION CONTAINED IN THIS DOCUMENT IS THE PROPERTY OF LUMEX INC. EXCEPT AS SPECIFICALLY AUTHORIZED IN WRITING BY LUMEX INC., THE HOLDER OF THIS DOCUMENT SHALL KEEP ALL INFORMATION CONTAINED HEREIN CONFIDENTIAL AND SHALL PROTECT SAME IN WHOLE OR IN PART FROM DISCLOSURE AND DISSEMINATION TO ALL THIRD PARTIES.
 RELIABILITY NOTE
 OUR MANY YEARS OF EXPERIENCE DATA ACCUMULATION INDICATE THAT SOLDER HEAT IS A MAJOR CAUSE OF EARLY AND FUTURE FAILURE. PLEASE PAY ATTENTION TO YOUR SOLDERING PROCESS.

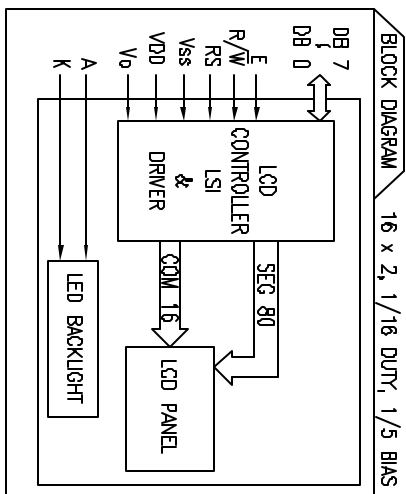
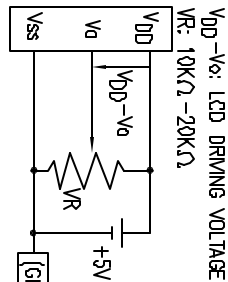
PIN CONFIGURATION		LEVEL	FUNCTION
1	V _{SS}	-	POWER SUPPLY 5V FOR LCD DRIVE
2	V _{DD}	-	
3	V ₀	-	REGISTER SELECT SIGNAL
4	RS	H/L	H: DATA INPUT L: INSTRUCTION INPUT
5	R/W	H/L	H: DATA READ (MODULE-->MPU) L: DATA WRITE (MODULE<--MPU)
6	E	H-H->L	ENABLE
7~14	DB0~DB7	H/L	DATA BUS-SOFTWARE SELECTABLE 4 OR 8 BIT MODE.
A	A	-	ANODE LED BACKLIGHT
K	K	-	CATHODE LED BACKLIGHT

ELECTRICAL CHARACTERISTICS

V_{DD}=4.7V to 5.3V, T_A=25°C

ITEM	SYMBOL	CONDITION	STANDARD VALUE			UNIT
			MIN.	TYP.	MAX.	
SUPPLY VOLTAGE FOR LOGIC	V _{DD} -V _{SS}	-	-	5.0	-	V
SUPPLY CURRENT FOR LOGIC	I _{DD}	V _{DD} =5V	-	2.0	3.0	mA
INPUT VOLTAGE	LOW	V _{IH}	2.2	-	4.7	V
		V _{IL}	-	0	0.6	V
OUTPUT VOLTAGE	HIGH	V _{OH}	-	2.4	-	V
		V _{OL}	-	-	0.4	V
VOLTAGE	LOW	V _I	-	4.2	4.6	V
		V _F	-	-	-	V
CURRENT	IF	I _F =160mA	-	160	-	mA
		I _D	-	660	-	mW
POWER CONSUMPTION	PD	I _F =160mA	-	70	-	cd/m ²
		L	-	-	-	mm
*LED BACKLIGHT	LUMINOUS COLOR	I _F =160mA	-	-	-	mm
		L	-	-	-	mm

*ONLY APPLIES TO MODULES WITH BACKLIGHT



ABSOLUTE MAXIMUM RATINGS

ITEM	SYMBOL	TEST CONDITION	STANDARD VALUE		UNIT
			MIN	MAX	
SUPPLY VOLTAGE FOR LOGIC	V _{DD} -V _{SS}	T ₀ =25°C	4.7	5.3	V
SUPPLY VOLTAGE FOR LCD DRIVE	V _{DD} -V ₀	-	4.2@50°C	4.8@0°C	V
INPUT VOLTAGE	V _I	T ₀ =25°C	V _{SS}	V _{DD}	V
OPERATING TEMPERATURE	T _{opr}	LCM-S	0	50	°C
STORAGE TEMPERATURE	T _{stg}	LCM-S	-20	70	°C

*UNLESS OTHERWISE SPECIFIED TOLERANCE IS ±0.25mm (±0.010")

PART NUMBER

LCM-S01602DSF/G-Y

5.56mm TALL, 5 x 8 DOT MATRIX, 16 x 2 CHARACTER LCD MODULE, TRANSPARENT, STN YELLOW, 1/16 DUTY, 1/5 BIAS.

CONFIDENTIAL INFORMATION

THE INFORMATION CONTAINED IN THIS DOCUMENT IS THE PROPERTY OF LUMEX INC. EXCEPT AS SPECIFICALLY AUTHORIZED IN WRITING BY LUMEX INC., THE HOLDER OF THIS DOCUMENT SHALL KEEP ALL INFORMATION CONTAINED HEREIN CONFIDENTIAL AND SHALL PROTECT SAME IN WHOLE OR IN PART FROM DISCLOSURE AND DISSEMINATION TO ALL THIRD PARTIES.

RELIABILITY USE
OUR MANY YEARS OF EXPERIENCE DATA ACCUMULATION INDICATE THAT SOLDER HEAT IS A MAJOR CAUSE OF EARLY AND FUTURE FAILURE. PLEASE PAY ATTENTION TO YOUR SOLDERING PROCESS.



290 E. HELLEN ROAD
PALATINE, ILLINOIS 60067
PHONE: 1-847-359-2790
WEB: HTTP://WWW.LUMEX.COM

DRAWN BY: SA/BC CHECKED BY: APPROVED BY: DATE: 3-25-99
PAGE: 2 OF 2 SCALE: N/A