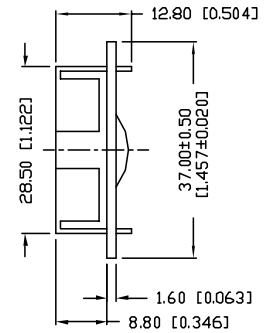
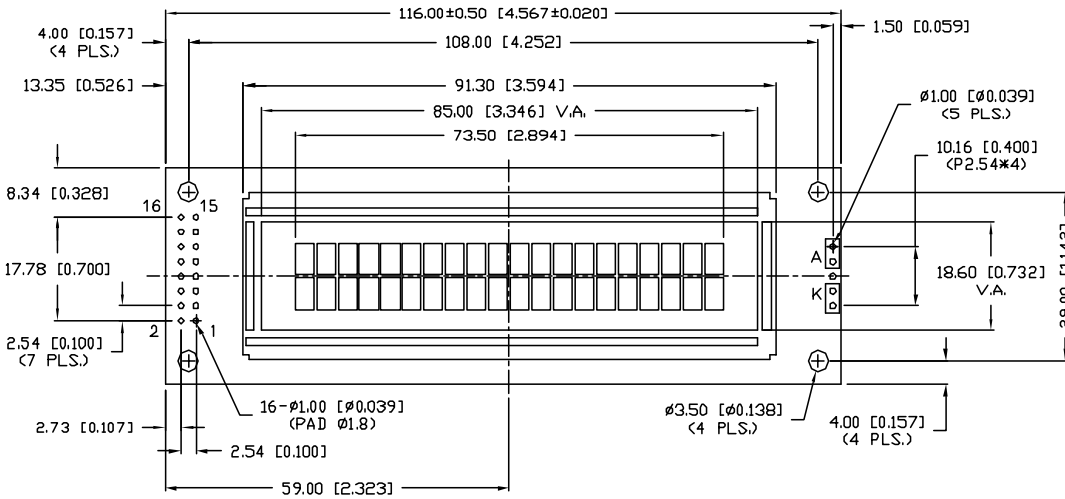
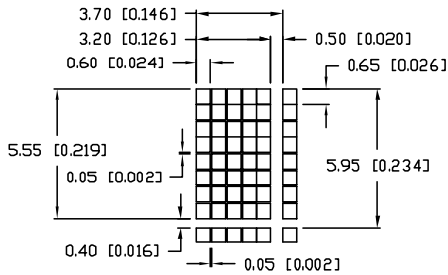


PART NUMBER		REV.
LCM-H02002DSF-Y		
REV.	E.C.N. NUMBER AND REVISION COMMENTS	DATE

CAUTION: STATIC SENSITIVE DEVICE
 FOLLOW PROPER E.S.D. HANDLING PROCEDURES
 WHEN WORKING WITH THIS PART.

CHARACTER DETAIL



*UNLESS OTHERWISE SPECIFIED TOLERANCE IS ±0.25mm (±0.010")

REV.	PART NUMBER
	LCM-H02002DSF-Y

CONFIDENTIAL INFORMATION
 THE INFORMATION CONTAINED IN THIS DOCUMENT IS THE PROPERTY OF LUMEX INC. EXCEPT AS SPECIFICALLY AUTHORIZED IN WRITING BY LUMEX INC. THE HOLDER OF THIS DOCUMENT SHALL KEEP ALL INFORMATION CONTAINED HEREIN CONFIDENTIAL AND SHALL PROTECT SAME IN WHOLE OR IN PART FROM DISCLOSURE AND DISSEMINATION TO ALL THIRD PARTIES.



290 E. HELLEN ROAD
 PALATINE, ILLINOIS 60067
 PHONE: 1-847-359-2790
 WEB: HTTP://WWW.LUMEX.COM

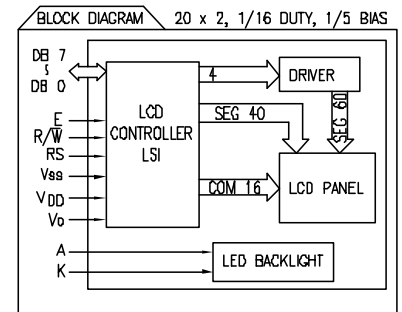
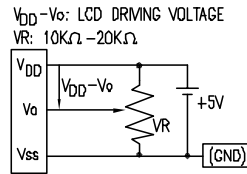
5.55mm CHARACTER HEIGHT, 5 x 8 DOT MATRIX,
 20 x 2 CHARACTER LCD MODULE, STN, YELLOW,
 TRANSPARENT, 1/16 DUTY, 1/5 BIAS, EXTENDED TEMP.

RELIABILITY NOTE
 OUR MANY YEARS OF EXPERIENCE DATA ACCUMULATION INDICATE THAT SOLDER HEAT IS A MAJOR CAUSE OF EARLY AND FUTURE FAILURE. PLEASE PAY ATTENTION TO YOUR SOLDERING PROCESS.

DRAWN BY:	CHECKED BY:	APPROVED BY:	DATE: 8-17-98
SA/DU			PAGE: 1 OF 2
			SCALE: N/A

PART NUMBER		REV.
LCM-H02002DSF-Y		
REV.	E.C.N. NUMBER AND REVISION COMMENTS	DATE

PIN CONFIGURATION			
PIN NO.	SYMBOL	LEVEL	FUNCTION
1	V _{SS}	-	POWER SUPPLY
2	V _{DD}	-	
3	V ₀	-	
4	RS	H/L	REGISTER SELECT SIGNAL H: DATA INPUT L: INSTRUCTION INPUT
5	R/W	H/L	H: DATA READ (MODULE-->MPU) L: DATA WRITE (MODULE<--MPU)
6	E	H,H->L	ENABLE
7~14	DB0~DB7	H/L	DATA BUS--SOFTWARE SELECTABLE 4 OR 8 BIT MODE.
15	A	-	ANODE
16	K	-	CATHODE



ELECTRICAL CHARACTERISTICS		V _{DD} =4.7V to 5.3V, T _A =25°C						
ITEM	SYMBOL	CONDITION	STANDARD VALUE			UNIT	APPLICABLE TERMINAL	
			MIN.	TYP.	MAX.			
SUPPLY VOLTAGE FOR LOGIC	V _{DD} -V _{SS}	-	-	5.0	-	V	V _{DD}	
SUPPLY CURRENT FOR LOGIC	I _{DD}	V _{DD} =5V	-	2.0	3.0	mA	V _{DD}	
INPUT VOLTAGE	HIGH	V _{IH}	-	2.2	-	V _{DD}	RS,R/W,E	
	LOW	V _{IL}	-	0	-	0.6	V	DB0~DB7
OUTPUT VOLTAGE	HIGH	V _{OH}	I _{OH} =-0.205mA	2.4	-	-	V	DB0~DB7
	LOW	V _{OL}	I _{OL} =1.6mA	-	-	0.4	V	RS,R/W,E
*LED BACKLIGHT	VOLTAGE	V _f	I _f =210mA	-	4.2	4.6	V	-
	CURRENT	I _f	-	-	210	275	mA	-
	POWER CONSUMPTION	PD	-	-	1279	-	mW	-
	LUMINOUS	L	I _f =210mA	70	-	-	cd/m ²	-
COLOR	-	-	-	-	-	nm	-	

ABSOLUTE MAXIMUM RATINGS					
ITEM	SYMBOL	TEST CONDITION	STANDARD VALUE		UNIT
			MIN	MAX	
SUPPLY VOLTAGE FOR LOGIC	V _{DD} -V _{SS}	T _a =25°C	4.7	5.3	V
SUPPLY VOLTAGE FOR LCD DRIVE	V _{DD} -V ₀	-	4.2@50°C	4.8@0°C	V
INPUT VOLTAGE	V _I	-	V _{SS}	V _{DD}	V
OPERATING TEMPERATURE	T _{opr}	LCM-H	-20	70	°C
STORAGE TEMPERATURE	T _{stg}	LCM-H	-30	85	°C

*ONLY APPLIES TO MODULES WITH BACKLIGHT

*UNLESS OTHERWISE SPECIFIED TOLERANCE IS ±0.25mm (±0.010")

REV.	PART NUMBER	CONFIDENTIAL INFORMATION			290 E. HELLEN ROAD PALATINE, ILLINOIS 60067 PHONE: 1-847-359-2790 WEB: HTTP://WWW.LUMEX.COM	
	LCM-H02002DSF-Y	THE INFORMATION CONTAINED IN THIS DOCUMENT IS THE PROPERTY OF LUMEX INC. EXCEPT AS SPECIFICALLY AUTHORIZED IN WRITING BY LUMEX INC., THE HOLDER OF THIS DOCUMENT SHALL KEEP ALL INFORMATION CONTAINED HEREIN CONFIDENTIAL AND SHALL PROTECT SAME IN WHOLE OR IN PART FROM DISCLOSURE AND DISSEMINATION TO ALL THIRD PARTIES.			DRAWN BY:	CHECKED BY:
5.55mm CHARACTER HEIGHT, 5 x 8 DOT MATRIX, 20 x 2 CHARACTER LCD MODULE, STN, YELLOW, TRANSPARENT, 1/16 DUTY, 1/5 BIAS, EXTENDED TEMP.			RELIABILITY NOTE		DATE: 8-17-98	
			OUR MANY YEARS OF EXPERIENCE DATA ACCUMULATION INDICATE THAT SOLDER HEAT IS A MAJOR CAUSE OF EARLY AND FUTURE FAILURE. PLEASE PAY ATTENTION TO YOUR SOLDERING PROCESS.		SA/DU	SCALE: N/A
					PAGE: 2 OF 2	