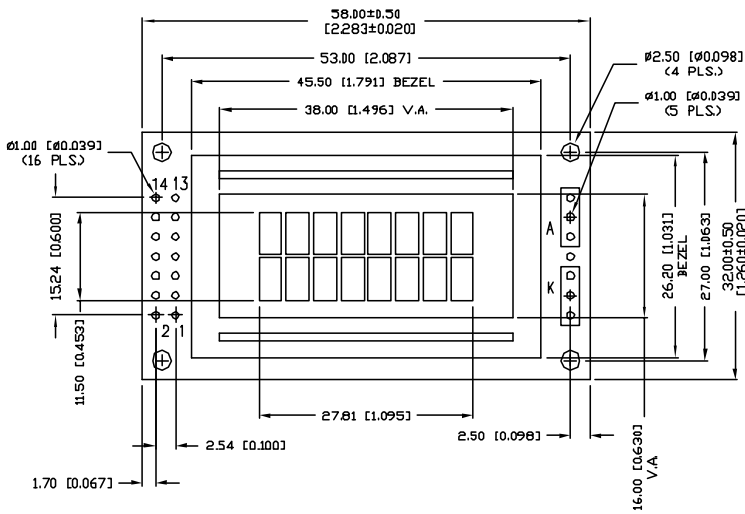


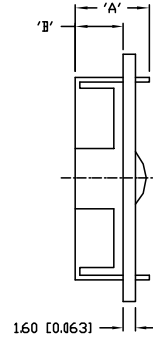
UNCONTROLLED DOCUMENT

P/N PREFIX/SUFFIX TABLE		
LCM-X	DXX	DESCRIPTION
STANDARD	S	SR STN, REFLECTIVE
	SF	SF STN, TRANSFLECTIVE(W/ BACKLIGHT)
HIGH TEMP.	H	TR TN, REFLECTIVE
	TF	TF TN, TRANSFLECTIVE(W/ BACKLIGHT)

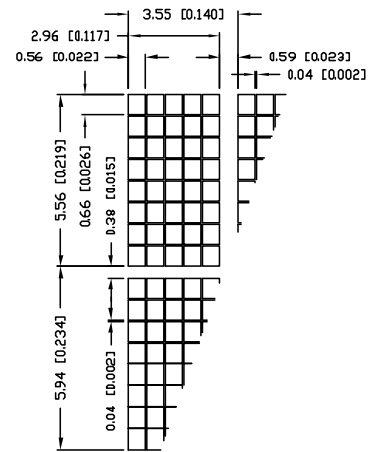
CAUTION: STATIC SENSITIVE DEVICE
FOLLOW PROPER E.S.D. HANDLING PROCEDURES
WHEN WORKING WITH THIS PART.



TYPE	DIM.	A	B
WITH BACKLIGHT	12.8	8.6	
NO BACKLIGHT	8.6	4.2	



CHARACTER DETAIL



*UNLESS OTHERWISE SPECIFIED TOLERANCES PER DECIMAL PRECISION ARE: X=±1 (±0.039), XX=±0.5 (±0.020), XXX=±0.25 (±0.010), XXXX=±0.127 (±0.005). LEAD SIZE=±0.05 (±0.002), LEAD LENGTH=±0.75 (±0.030). MIN=+DECIMAL PRECISION -0.00, MAX.=+0.00 -DECIMAL PRECISION

UNCONTROLLED DOCUMENT

REV. B	PART NUMBER LCM-X00802DXX	<p>CONFIDENTIAL INFORMATION</p> <p>THE INFORMATION CONTAINED IN THIS DOCUMENT IS THE PROPERTY OF LUMEX INC. EXCEPT AS SPECIFICALLY AUTHORIZED IN WRITING BY LUMEX INC., THE HOLDER OF THIS DOCUMENT SHALL KEEP ALL INFORMATION CONTAINED HEREIN CONFIDENTIAL AND SHALL PROTECT SAME IN WHOLE OR IN PART FROM DISCLOSURE AND DISSEMINATION TO ALL THIRD PARTIES.</p> <p>RELIABILITY NOTE</p> <p>OUR MANY YEARS OF EXPERIENCE DATA ACCUMULATION INDICATE THAT SOLDER HEAT IS A MAJOR CAUSE OF EARLY AND FUTURE FAILURE. PLEASE PAY ATTENTION TO YOUR SOLDERING PROCESS.</p>	<p>290 E. HELEN ROAD PALATINE, IL 60067-6976 PHONE: +1.847.359.2790 US WEB: www.lumex.com TW WEB: www.lumex.com.tw</p>	<p>DRAWN BY: CT</p> <p>CHECKED BY:</p> <p>APPROVED BY:</p> <p>DATE: 9.5.03 PAGE: 1 OF 2 SCALE: N/A</p>
-----------	------------------------------	---	--	--

5.56mm CHARACTER HEIGHT, 5x8 DOT MATRIX, 8x2,
LCD MODULE, 1/16 DUTY, 1/5 BIAS.

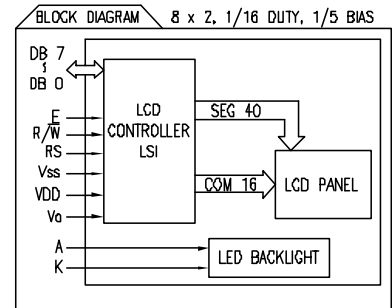
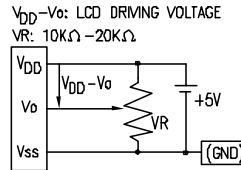
UNCONTROLLED DOCUMENT

PART NUMBER
LCM-X00802DXX

REV.
B

REV.	E.C.N. NUMBER AND REVISION COMMENTS	DATE
	SEE PAGE 1.	

PIN CONFIGURATION			
PIN NO.	SYMBOL	LEVEL	FUNCTION
1	V _{SS}	-	POWER SUPPLY GND (0V) 5V FOR LCD DRIVE
2	V _{DD}	-	
3	V _O	-	
4	RS	H/L	REGISTER SELECT SIGNAL H: DATA INPUT L: INSTRUCTION INPUT
5	R/W	H/L	H: DATA READ (MODULE->MPU) L: DATA WRITE (MODULE<-MPU)
6	E	H _H ->L	ENABLE
7~14	DB0~DB7	H/L	DATA BUS-SOFTWARE SELECTABLE 4 OR 8 BIT MODE.



ELECTRICAL CHARACTERISTICS		⊗ V _{DD} =4.7V to 5.3V, T _A =25°C					
ITEM	SYMBOL	CONDITION	STANDARD VALUE			UNIT	
			MIN.	TYP.	MAX.		
SUPPLY VOLTAGE FOR LOGIC	V _{DD} -V _{SS}	-	-	5.0	-	V	
SUPPLY CURRENT FOR LOGIC	I _{DD}	V _{DD} =5V	-	2.0	3.0	mA	
INPUT VOLTAGE	HIGH	V _{IH}	-	2.2	-	V _{DD}	
	LOW	V _{IL}	-	0	-	0.6	
OUTPUT VOLTAGE	HIGH	V _{OH}	-	2.4	-	V	
	LOW	V _{OL}	-	-	-	0.4	
*LED BACKLIGHT	VOLTAGE	V _f	I _f =70mA	-	4.5	5.0	V
	CURRENT	I _f	-	-	70	110	mA
	POWER CONSUMPTION	PD	-	-	315	-	mW
	LUMINOUS	L	I _f =70mA	70	-	-	cd/m ²
	COLOR	-	-	-	-	-	nm

*ONLY APPLIES TO MODULES WITH BACKLIGHT

ABSOLUTE MAXIMUM RATINGS					
ITEM	SYMBOL	TEST CONDITION	STANDARD VALUE		UNIT
			MIN	MAX	
SUPPLY VOLTAGE FOR LOGIC	V _{DD} -V _{SS}	T _a =25°C	4.7	5.3	V
SUPPLY VOLTAGE FOR LCD DRIVE	V _{DD} -V _O	-	4.2@50°C	4.8@0°C	V
INPUT VOLTAGE	V _I	T _a =25°C	V _{SS}	V _{DD}	V
OPERATING TEMPERATURE	T _{opr}	LCM-S	0	50	°C
		LCM-H	-20	70	°C
STORAGE TEMPERATURE	T _{stg}	LCM-S	-20	70	°C
		LCM-H	-30	85	°C

UNCONTROLLED DOCUMENT

*UNLESS OTHERWISE SPECIFIED TOLERANCES PER DECIMAL PRECISION ARE: X=±1 (±0.039), X,X=±0.5 (±0.020), X,XX=±0.25 (±0.010), X,XXX=±0.127 (±0.006). LEAD SIZE=±0.05 (±0.002), LEAD LENGTH=±0.75 (±0.030), MIN.=^{+DECIMAL PRECISION}_{-0.00}, MAX.=^{+0.00}_{-DECIMAL PRECISION}

REV. B	PART NUMBER LCM-X00802DXX	<p>CONFIDENTIAL INFORMATION</p> <p>THE INFORMATION CONTAINED IN THIS DOCUMENT IS THE PROPERTY OF LUMEX INC. EXCEPT AS SPECIFICALLY AUTHORIZED IN WRITING BY LUMEX INC., THE HOLDER OF THIS DOCUMENT SHALL KEEP ALL INFORMATION CONTAINED HEREIN CONFIDENTIAL AND SHALL PROTECT SAME IN WHOLE OR IN PART FROM DISCLOSURE AND DISSEMINATION TO ALL THIRD PARTIES.</p> <p>RELIABILITY NOTE</p> <p>OUR MANY YEARS OF EXPERIENCE DATA ACCUMULATION INDICATE THAT SOLDER HEAT IS A MAJOR CAUSE OF EARLY AND FUTURE FAILURE. PLEASE PAY ATTENTION TO YOUR SOLDERING PROCESS.</p>	<p>290 E. HELEN ROAD PALATINE, IL 60067-6976 PHONE: +1.847.359.2790 US WEB: www.lumex.com TW WEB: www.lumex.com.tw</p>
5.56mm CHARACTER HEIGHT, 5x8 DOT MATRIX, 8x2, LCD MODULE, 1/16 DUTY, 1/5 BIAS.		DRAWN BY: CT CHECKED BY: APPROVED BY:	DATE: 9.5.03 PAGE: 2 OF 2 SCALE: N/A