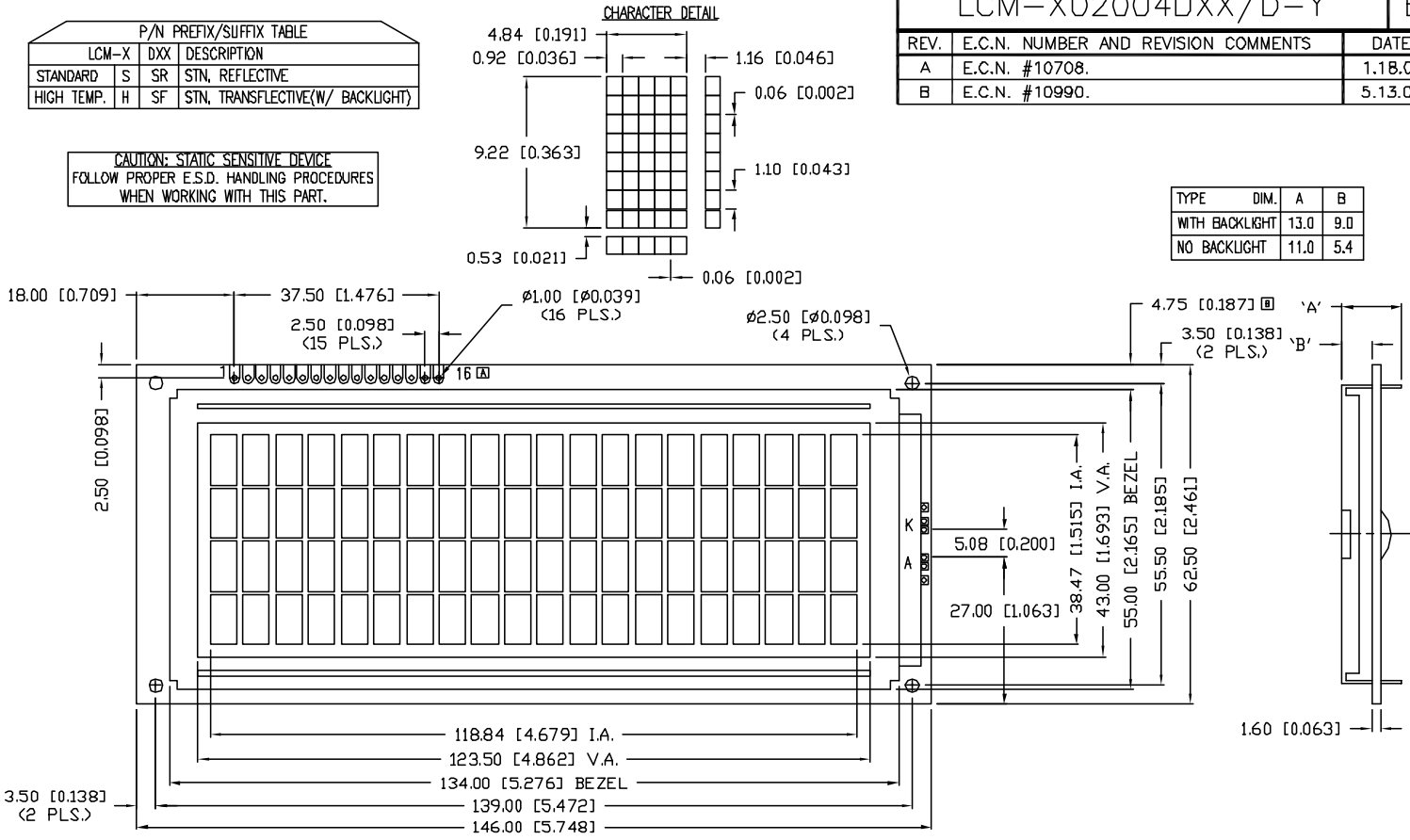


UNCONTROLLED DOCUMENT

P/N PREFIX/SUFFIX TABLE			
LCM-X	DX	DESCRIPTION	
STANDARD	S	SR	STN, REFLECTIVE
HIGH TEMP.	H	SF	STN, TRANSFLECTIVE(W/ BACKLIGHT)

CAUTION: STATIC SENSITIVE DEVICE  
FOLLOW PROPER E.S.D. HANDLING PROCEDURES  
WHEN WORKING WITH THIS PART.




PART NUMBER		REV.
LCM-X02004DXX/D-Y		B
REV.	E.C.N. NUMBER AND REVISION COMMENTS	DATE
A	E.C.N. #10708.	1.18.01
B	E.C.N. #10990.	5.13.03

TYPE	DIM.	A	B
WITH BACKLIGHT	13.0	9.0	
NO BACKLIGHT	11.0	5.4	

UNCONTROLLED DOCUMENT

\*UNLESS OTHERWISE SPECIFIED TOLERANCES PER DECIMAL PRECISION ARE: X=±1 (±0.038), XX=±0.5 (±0.020), XXX=±0.25 (±0.010), XXXX=±0.127 (±0.005). LEAD SIZE=±0.05 (±0.002), LEAD LENGTH=±0.75 (±0.030), MIN.=<sup>+0.00</sup>/<sub>0.00</sub> DECIMAL PRECISION, MAX.=<sup>+0.00</sup>/<sub>0.00</sub> DECIMAL PRECISION

REV. B	PART NUMBER LCM-X02004DXX/D-Y	<p>CONFIDENTIAL INFORMATION</p> <p>THE INFORMATION CONTAINED IN THIS DOCUMENT IS THE PROPERTY OF LUMEX INC. EXCEPT AS SPECIFICALLY AUTHORIZED IN WRITING BY LUMEX INC., THE HOLDER OF THIS DOCUMENT SHALL KEEP ALL INFORMATION CONTAINED HEREIN CONFIDENTIAL AND SHALL PROTECT SAME IN WHOLE OR IN PART FROM DISCLOSURE AND DISSEMINATION TO ALL THIRD PARTIES.</p> <p>RELIABILITY NOTE</p> <p>OUR MANY YEARS OF EXPERIENCE DATA ACCUMULATION INDICATE THAT SOLDER HEAT IS A MAJOR CAUSE OF EARLY AND FUTURE FAILURE. PLEASE PAY ATTENTION TO YOUR SOLDERING PROCESS.</p>	 <p>290 E. HELEN ROAD PALATINE, IL 60067-6976 PHONE: +1.847.359.2790 US WEB: www.lumex.com TW WEB: www.lumex.com.tw</p>
9.22mm CHARACTER HEIGHT, 20 x 4 CHARACTERS, 5 x 8 DOT MATRIX LCD MODULE, STN YELLOW, 1/16 DUTY, 1/5 BIAS.		DRAWN BY: SA-CT CHECKED BY: APPROVED BY:	DATE: 11.13.00 PAGE: 1 OF 2 SCALE: N/A

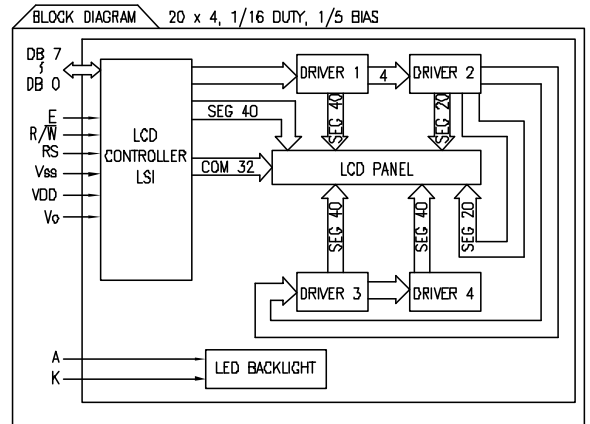
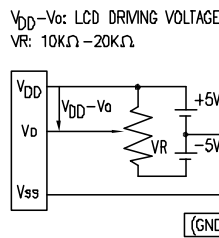
UNCONTROLLED DOCUMENT

PART NUMBER  
LCM-X02004DXX/D-Y

REV.  
B

REV.	E.C.N. NUMBER AND REVISION COMMENTS	DATE
	SEE PAGE 1.	

PIN CONFIGURATION			
PIN NO.	SYMBOL	LEVEL	FUNCTION
1	V <sub>SS</sub>	-	POWER SUPPLY GND (0V) 5V FOR LCD DRIVE
2	V <sub>DD</sub>	-	
3	V <sub>O</sub>	-	
4	RS	H/L	REGISTER SELECT SIGNAL H: DATA INPUT L: INSTRUCTION INPUT
5	R/W	H/L	H: DATA READ (MODULE-->MPU) L: DATA WRITE (MODULE<--MPU)
6	E	H,H->L	ENABLE
7~14	DB0~DB7	H/L	DATA BUS--SOFTWARE SELECTABLE 4 OR 8 BIT MODE.
15	A	-	ANODE LED BACKLIGHT
16	K	-	CATHODE LED BACKLIGHT



ELECTRICAL CHARACTERISTICS						
V <sub>DD</sub> =4.7V to 5.3V, T <sub>A</sub> =25°C						
ITEM	SYMBOL	CONDITION	STANDARD VALUE			UNIT
			MIN.	TYP.	MAX.	
SUPPLY VOLTAGE FOR LOGIC	V <sub>DD</sub> -V <sub>SS</sub>	-	-	5.0	-	V
SUPPLY CURRENT FOR LOGIC	I <sub>DD</sub>	V <sub>DD</sub> =5V	-	2.0	3.0	mA
INPUT VOLTAGE	HIGH	V <sub>IH</sub>	-	2.2	-	V <sub>DD</sub>
	LOW	V <sub>IL</sub>	-	0	-	0.6
OUTPUT VOLTAGE	HIGH	V <sub>OH</sub>	I <sub>OH</sub> =-0.205mA	2.4	-	-
	LOW	V <sub>OL</sub>	I <sub>OL</sub> =1.6mA	-	-	0.4
*LED BACKLIGHT	VOLTAGE	V <sub>f</sub>	I <sub>f</sub> =550mA	-	4.2	4.5
	CURRENT	I <sub>f</sub>	-	-	550	600
	POWER CONSUMPTION	PD	-	-	2310	-
	LUMINOUS	L	I <sub>f</sub> =550mA	70	-	-
	COLOR	-	-	-	-	-

\*ONLY APPLIES TO MODULES WITH BACKLIGHT

ABSOLUTE MAXIMUM RATINGS					
ITEM	SYMBOL	TEST CONDITION	STANDARD VALUE		UNIT
			MIN	MAX	
SUPPLY VOLTAGE FOR LOGIC	V <sub>DD</sub> -V <sub>SS</sub>	T <sub>a</sub> =25°C	4.7	5.3	V
SUPPLY VOLTAGE FOR LCD DRIVE	V <sub>DD</sub> -V <sub>O</sub>	-	0.5	10.0	V
INPUT VOLTAGE	V <sub>I</sub>	T <sub>a</sub> =25°C	V <sub>SS</sub>	V <sub>DD</sub>	V
OPERATING TEMPERATURE	T <sub>opr</sub>	LCM-H	-20	80	°C
STORAGE TEMPERATURE	T <sub>stg</sub>	LCM-H	-30	85	°C

\*UNLESS OTHERWISE SPECIFIED TOLERANCES PER DECIMAL PRECISION ARE: X=±1 (±0.030), XX=±0.5 (±0.020), XXX=±0.25 (±0.010), XXXX=±0.127 (±0.005). LEAD SIZE=±0.05 (±0.002), LEAD LENGTH=±0.75 (±0.030), MIN.=<sup>+0.00</sup>/<sub>-0.00</sub> DECIMAL PRECISION, MAX.=<sup>+0.00</sup>/<sub>-0.00</sub> DECIMAL PRECISION

UNCONTROLLED DOCUMENT

REV. B	PART NUMBER LCM-X02004DXX/D-Y
9.22mm CHARACTER HEIGHT, 20 x 4 CHARACTERS, 5 x 8 DOT MATRIX LCD MODULE, STN YELLOW, 1/16 DUTY, 1/5 BIAS.	

CONFIDENTIAL INFORMATION  
THE INFORMATION CONTAINED IN THIS DOCUMENT IS THE PROPERTY OF LUMEX INC. EXCEPT AS SPECIFICALLY AUTHORIZED IN WRITING BY LUMEX INC., THE HOLDER OF THIS DOCUMENT SHALL KEEP ALL INFORMATION CONTAINED HEREIN CONFIDENTIAL AND SHALL PROTECT SAME IN WHOLE OR IN PART FROM DISCLOSURE AND DISSEMINATION TO ALL THIRD PARTIES.

RELIABILITY NOTE  
OUR MANY YEARS OF EXPERIENCE DATA ACCUMULATION INDICATE THAT SOLDER HEAT IS A MAJOR CAUSE OF EARLY AND FUTURE FAILURE. PLEASE PAY ATTENTION TO YOUR SOLDERING PROCESS.



290 E. HELEN ROAD  
PALATINE, IL 60067-6976  
PHONE: +1.847.359.2790  
US WEB: www.lumex.com  
TW WEB: www.lumex.com.tw

DRAWN BY: SA-CT	CHECKED BY:	APPROVED BY:	DATE: 11.13.00 PAGE: 2 OF 2 SCALE: N/A
--------------------	-------------	--------------	--