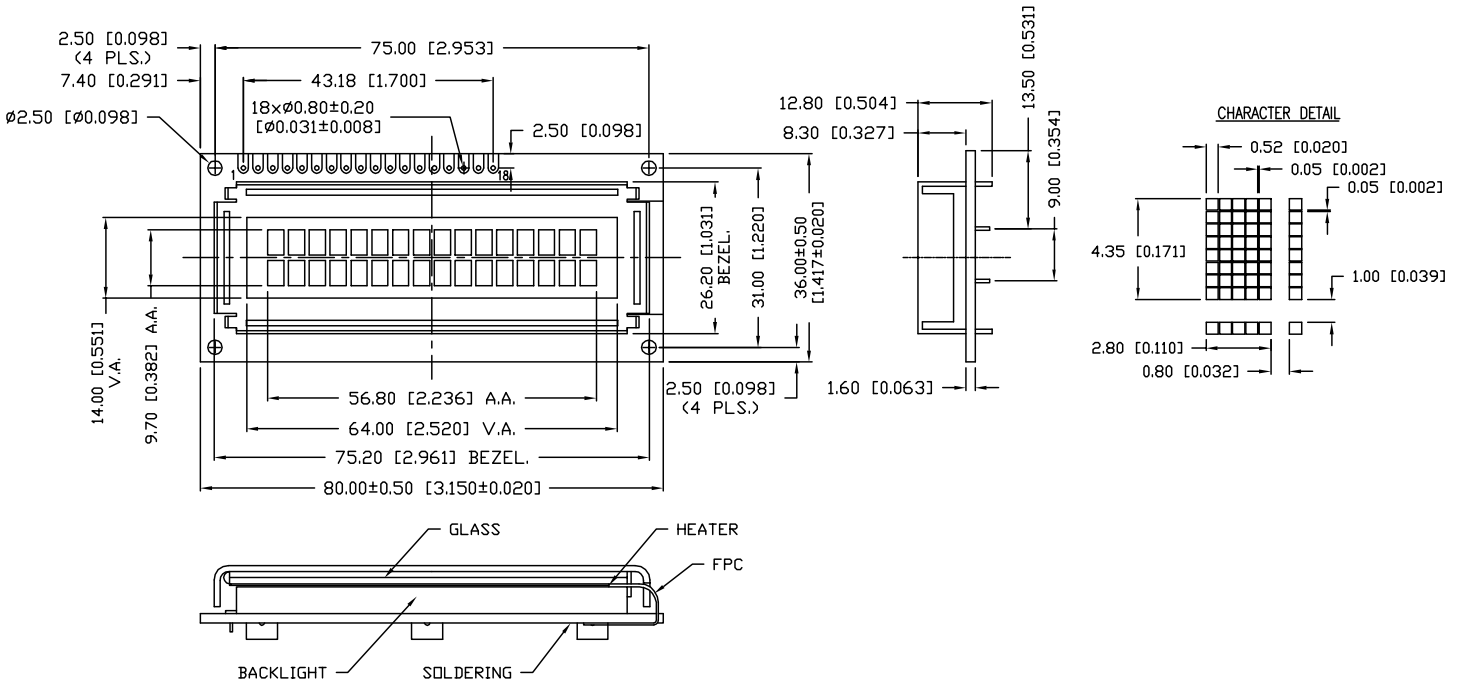


UNCONTROLLED DOCUMENT

PART NUMBER
LCR-U01602DSF/A-WH

REV.



CAUTION: STATIC SENSITIVE DEVICE
FOLLOW PROPER E.S.D. HANDLING PROCEDURES
WHEN WORKING WITH THIS PART.



UNCONTROLLED DOCUMENT

*UNLESS OTHERWISE SPECIFIED TOLERANCES PER DECIMAL PRECISION ARE: X=±1 (±0.039), X.X=±0.5 (±0.020), X.XX=±0.25 (±0.010), X.XXX=±0.127 (±0.005). LEAD SIZE=±0.05 (±0.002), LEAD LENGTH=±0.75 (±0.030), MIN.=^{+DECIMAL PRECISION}-0.00, MAX.=^{+0.00}-DECIMAL PRECISION

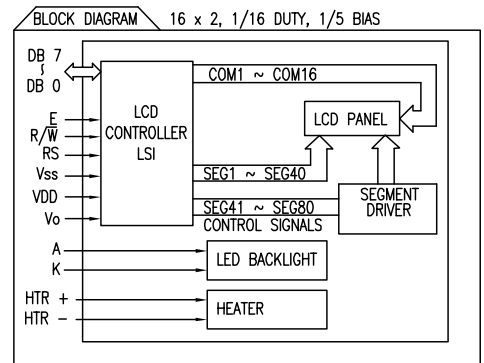
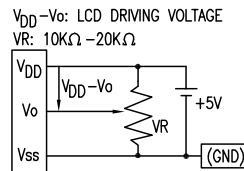
| | | | |
|------|--|---|---|
| REV. | PART NUMBER LCR-U01602DSF/A-WH | <p>CONFIDENTIAL INFORMATION</p> <p>THE INFORMATION CONTAINED IN THIS DOCUMENT IS THE PROPERTY OF LUMEX INC. EXCEPT AS SPECIFICALLY AUTHORIZED IN WRITING BY LUMEX INC., THE HOLDER OF THIS DOCUMENT SHALL KEEP ALL INFORMATION CONTAINED HEREIN CONFIDENTIAL AND SHALL PROTECT SAME IN WHOLE OR IN PART FROM DISCLOSURE AND DISSEMINATION TO ALL THIRD PARTIES.</p> <p>RELIABILITY NOTE</p> <p>OUR MANY YEARS OF EXPERIENCE DATA ACCUMULATION INDICATE THAT SOLDER HEAT IS A MAJOR CAUSE OF EARLY AND FUTURE FAILURE. PLEASE PAY ATTENTION TO YOUR SOLDERING PROCESS.</p> | <p>LUMEX Creating LED and LCD Solutions Together™</p> <p>290 E. HELEN ROAD PALATINE, IL 60067-6976 PHONE: +1.847.359.2790 US WEB: www.lumex.com TW WEB: www.lumex.com.tw</p> |
| | 16 x 2 CHARACTER LCD MODULE, STN GRAY, -40°C TO +85°C OPERATING TEMPERATURE, W/ HEATER, TRANSFLECTIVE, WHITE LED BACKLIGHT, 6:00 VIEW. | DRAWN BY: JN | CHECKED BY: |
| | | APPROVED BY: | DATE: 11.13.09 PAGE: 1 OF 2 SCALE: N/A |

UNCONTROLLED DOCUMENT

PART NUMBER
LCR-U01602DSF/A-WH

REV.

| PIN CONFIGURATION | | | |
|-------------------|-----------------|--------|---|
| PIN NO. | SYMBOL | LEVEL | FUNCTION |
| 1 | V _{SS} | - | POWER SUPPLY |
| 2 | V _{DD} | - | |
| 3 | V _O | - | |
| 4 | RS | H/L | REGISTER SELECT SIGNAL H: DATA INPUT L: INSTRUCTION INPUT |
| 5 | R/W | H/L | H: DATA READ (MODULE-->MPU) L: DATA WRITE (MODULE<--MPU) |
| 6 | E | H,H->L | ENABLE |
| 7~14 | DB0~DB7 | H/L | DATA BUS--SOFTWARE SELECTABLE 4 OR 8 BIT MODE. |
| 15 | A | - | ANODE |
| 16 | K | - | CATHODE |
| 17 | HTR + | - | +12V |
| 18 | HTR - | - | GND (0V) |



| ELECTRICAL CHARACTERISTICS | | V _{DD} =4.7V to 5.3V, T _A =25°C | | | | | |
|----------------------------|----------------------------------|---|----------------------|--------------|--------|-------------------|-------------------|
| ITEM | SYMBOL | CONDITION | STANDARD VALUE | | | UNIT | |
| | | | MIN. | TYP. | MAX. | | |
| SUPPLY VOLTAGE FOR LOGIC | V _{DD} -V _{SS} | - | - | 5.0 | - | V | |
| SUPPLY CURRENT FOR LOGIC | I _{DD} | V _{DD} =5V | - | 1.6 | 2.5 | mA | |
| INPUT VOLTAGE | HIGH | V _{IH} | - | 2.2 | - | V _{DD} V | |
| | LOW | V _{IL} | - | 0 | - | 0.6 V | |
| OUTPUT VOLTAGE | HIGH | V _{OH} | - | 2.4 | - | V | |
| | LOW | V _{OL} | - | - | 0.4 | V | |
| LED BACKLIGHT | VOLTAGE | V _f | I _f =15mA | - | 6.2 | 6.8 V | |
| | CURRENT | I _f | - | - | 15 | mA | |
| | POWER CONSUMPTION | PD | - | - | 90 | mW | |
| | LUMINOUS | L | I _f =15mA | 70 | - | - | cd/m ² |
| | COLOR COORDINATE | X Y | WHITE | .240 .240 | - - | .330 .330 | |
| HEATER | VOLTAGE | V _{FH} | - | - | 12 | V | |
| | RESISTANCE | | - | - | 11 | OHM | |
| | CURRENT | I _H | - | - | 1.1 | AMP | |
| | POWER | PH | - | - | 13.1 | W | |

| ABSOLUTE MAXIMUM RATINGS | | | | | |
|------------------------------|----------------------------------|----------------------|-----------------|-----------------|------|
| ITEM | SYMBOL | TEST CONDITION | STANDARD VALUE | | UNIT |
| | | | MIN | MAX | |
| SUPPLY VOLTAGE FOR LOGIC | V _{DD} -V _{SS} | T _a =25°C | 4.7 | 5.3 | V |
| SUPPLY VOLTAGE FOR LCD DRIVE | V _{DD} -V _O | - | 4.2@50°C | 4.8@0°C | V |
| INPUT VOLTAGE | V _I | T _a =25°C | V _{SS} | V _{DD} | V |
| OPERATING TEMPERATURE | T _{opr} | W/ HEATER | -40 | +85 | °C |
| STORAGE TEMPERATURE | T _{stg} | W/ HEATER | -40 | +85 | °C |

*UNLESS OTHERWISE SPECIFIED TOLERANCES PER DECIMAL PRECISION ARE: X=±1 (±0.039), X.X=±0.5 (±0.020), X.XX=±0.25 (±0.010), X.XXX=±0.127 (±0.005). LEAD SIZE=±0.05 (±0.002), LEAD LENGTH=±0.75 (±0.030), MIN.=^{+0.00}_{-0.00} DECIMAL PRECISION, MAX.=^{+0.00}_{-0.00} DECIMAL PRECISION

UNCONTROLLED DOCUMENT

| | | | | |
|--|-----------------------------------|--|--|---|
| REV. | PART NUMBER LCR-U01602DSF/A-WH | CONFIDENTIAL INFORMATION THE INFORMATION CONTAINED IN THIS DOCUMENT IS THE PROPERTY OF LUMEX INC. EXCEPT AS SPECIFICALLY AUTHORIZED IN WRITING BY LUMEX INC., THE HOLDER OF THIS DOCUMENT SHALL KEEP ALL INFORMATION CONTAINED HEREIN CONFIDENTIAL AND SHALL PROTECT SAME IN WHOLE OR IN PART FROM DISCLOSURE AND DISSEMINATION TO ALL THIRD PARTIES. | LUMEX Creating LED and LCD Solutions Together™ | 290 E. HELEN ROAD PALATINE, IL 60067-6976 PHONE: +1.847.359.2790 US WEB: www.lumex.com TW WEB: www.lumex.com.tw |
| 16 x 2 CHARACTER LCD MODULE, STN GRAY, -40°C TO +85°C OPERATING TEMPERATURE, W/ HEATER, TRANSFLECTIVE, WHITE LED BACKLIGHT, 6:00 VIEW. | | RELIABILITY NOTE OUR MANY YEARS OF EXPERIENCE DATA ACCUMULATION INDICATE THAT SOLDER HEAT IS A MAJOR CAUSE OF EARLY AND FUTURE FAILURE. PLEASE PAY ATTENTION TO YOUR SOLDERING PROCESS. | DRAWN BY: JN | CHECKED BY: |
| | | | APPROVED BY: | DATE: 11.13.09 PAGE: 2 OF 2 SCALE: N/A |