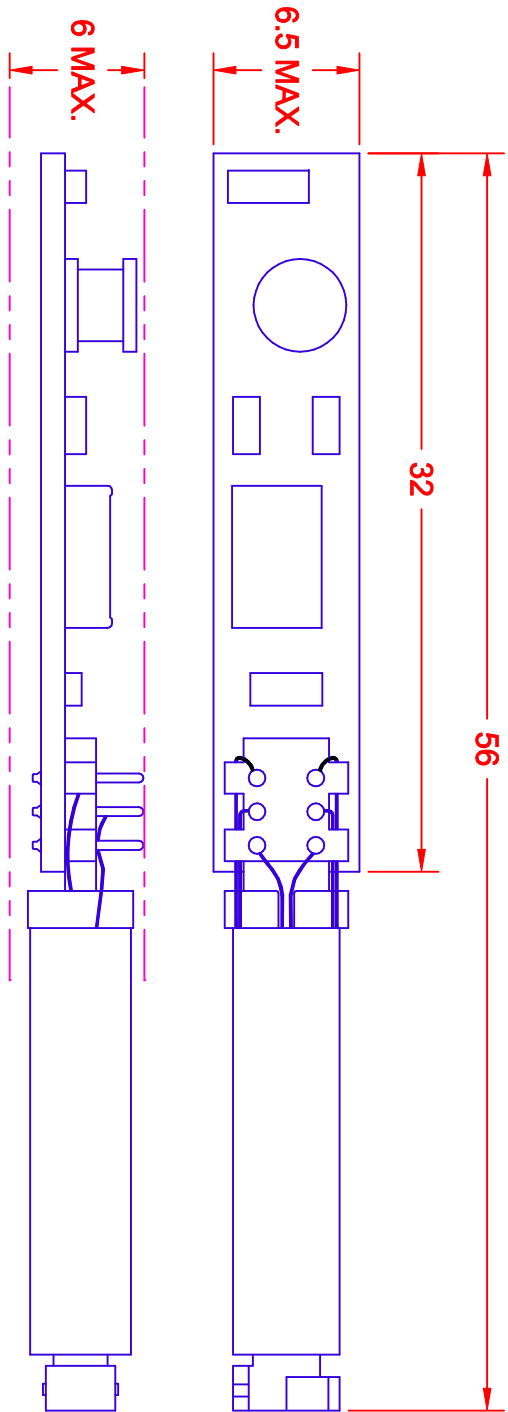
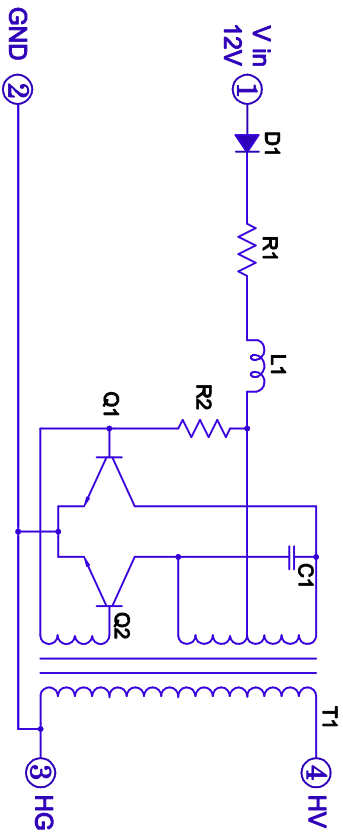
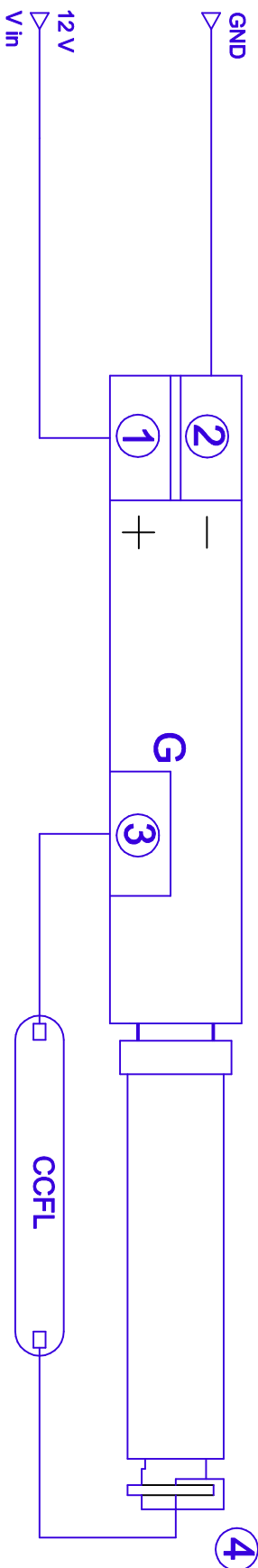


REV.	DESCRIPTION/ECO NO.	DATE
	RELEASED AS CAD DRW.	7/11/03



BOARD PIN #	INPUT
1	+V (V _{in})
2	V (GND)
3	OUT
4	GND V _{OUT}



OPERATING SPECIFICATIONS

CHARACTERISTICS	MIN	TYP	MAX
INPUT VOLTAGE: (Vdc)	10.0	12.0	15.0
INPUT CURRENT: (mA)	130	150	170
OUTPUT VOLTAGE: (Vrms)	700	800	900
OUTPUT CURRENT 2 X (mA)	3.0	4.0	5.0
OUTPUT FREQUENCY: (kHz)	85	105	125
OPERATING TEMP: (CELSIUS)	0	25	50

METRIC		DIMENSIONS ARE IN MILLIMETERS	
THIRD ANGLE PROJECTION		TOLERANCE UNLESS OTHERWISE SPECIFIED	
1 PL +/- 0.2		2 PL +/- 0.2	
ANGLE +/- 0		ANGLE +/- 0	
DRAWN BY L. WENGSTROM		DATE 7/11/03	
APP'D BY		F.D.	
SCALE A		SIZE	
NONE		55335	
RELEASED DATE 7/11/03		DRAWING NO. BXA-12576	
REV. NO.		SHEET	
OF		OF	

JKL COMPONENTS CORPORATION

12V CCFL INVERTER