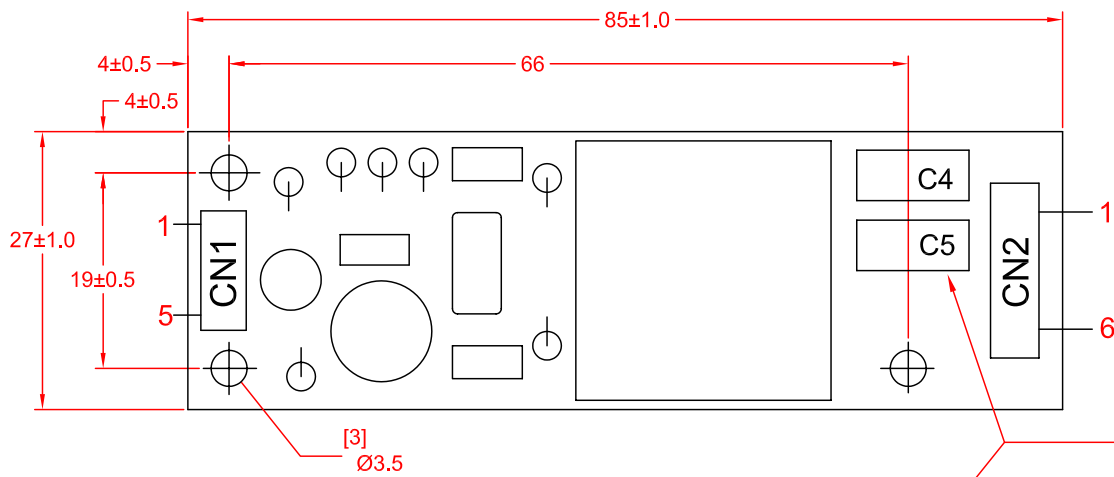
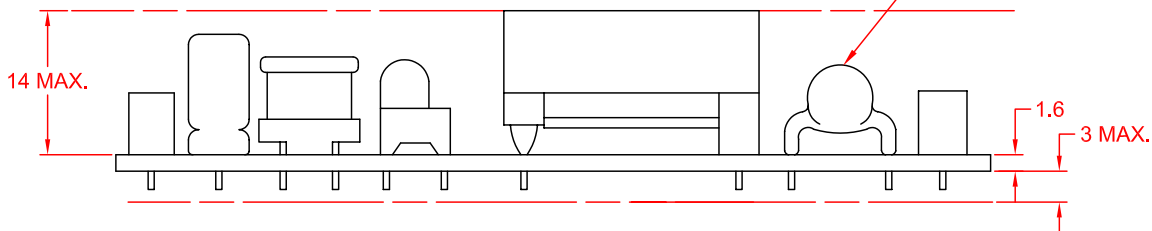


REV.	DESCRIPTION/ECO NO.	DATE
	RELEASED	5/30/08



**NOTE:**  
**C4: 27PF, 3KV**  
**C5: 27PF, 3KV**



NO.	PIN NUMBER	JKL MATING WIRE HARNESS
CN1	1	BXC-10605
	2	
	3	
	4	
	5	
CN2	1	BXC-10992
	2	
	3	
	4	
	5	
	6	

**NOTE:**  
 MATING CONNECTORS ARE NOT INCLUDED WITH INVERTER. JKL WIRE HARNESS BXC-10605 AND BXC-10992 CAN BE ORDERED SEPARATELY.

**OPERATING SPECIFICATIONS**

CHARACTERISTICS	MIN	TYP	MAX
INPUT VOLTAGE: (Vdc)	10.8	12.0	13.2
INPUT CURRENT: (mA)	---	550	1000
OUTPUT VOLTAGE: (Vrms)	---	1500	---
OUTPUT CURRENT 2 X (mA)	4.5	5.0	---
OUTPUT FREQUENCY: (kHz)	20	30	40
DIMMING RANGE (OPTION)	10% REF.	---	100% REF.
OPERATING TEMP: (CELSIUS)	0	25	50

<p>METRIC THIRD ANGLE PROJECTION</p>	<p>DIMENSIONS ARE IN MILLIMETERS TOLERANCE UNLESS OTHERWISE SPECIFIED 1 PL +/- 0.3 2 PL +/- ANGLE +/- 0</p>	<p><b>JKL COMPONENTS CORPORATION</b></p>			
		<p>TITLE <b>INVERTER WITH DIMMING OPTION</b></p>			
<p>DRAWN BY L. WENGSTROM</p>	<p>APP'D BY LARRY R.</p>	<p>DATE 5/30/08</p>	<p>SIZE <b>A</b></p>	<p>FSCM NO. <b>55335</b></p>	<p>DRAWING NO. <b>BXA-12579/MOD5</b></p>
<p>- CAD DRAWING - MANUAL REVISIONS NOT PERMITTED</p>			<p>SCALE <b>NONE</b></p>	<p>RELEASED DATE 5/30/08</p>	<p>REVISION DATE</p>
				<p>REV. NO.</p>	<p>SHEET OF</p>