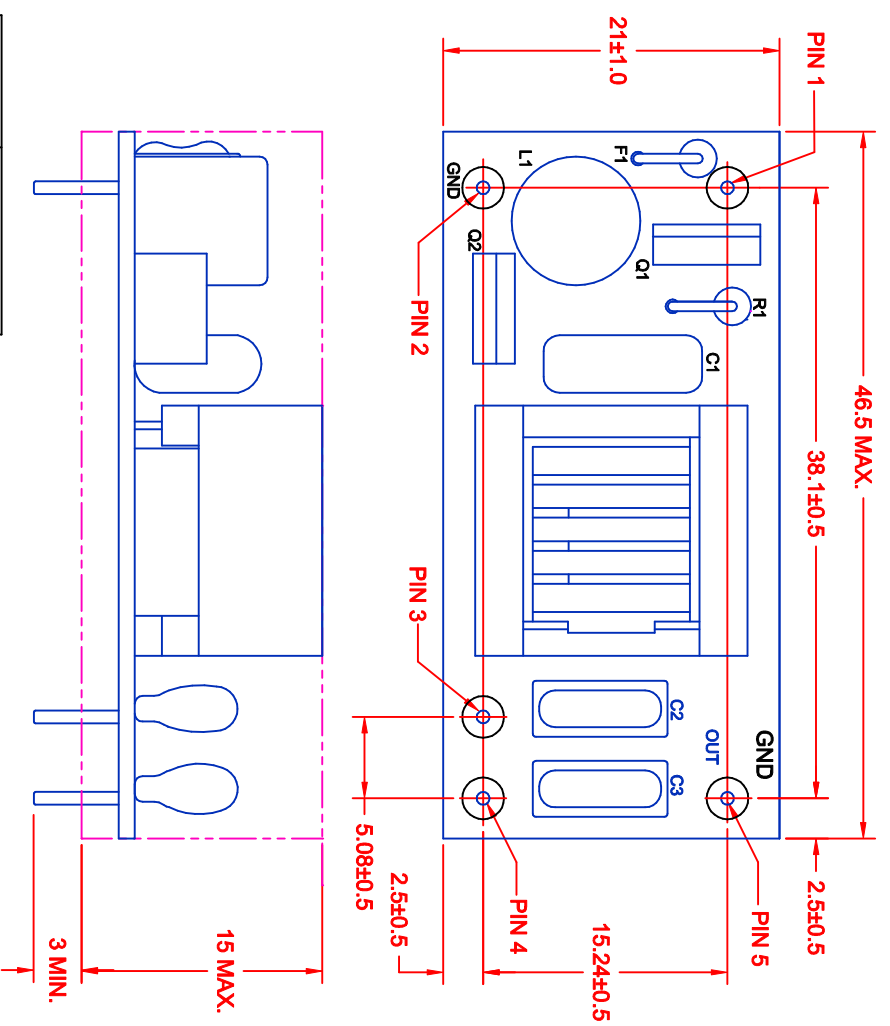


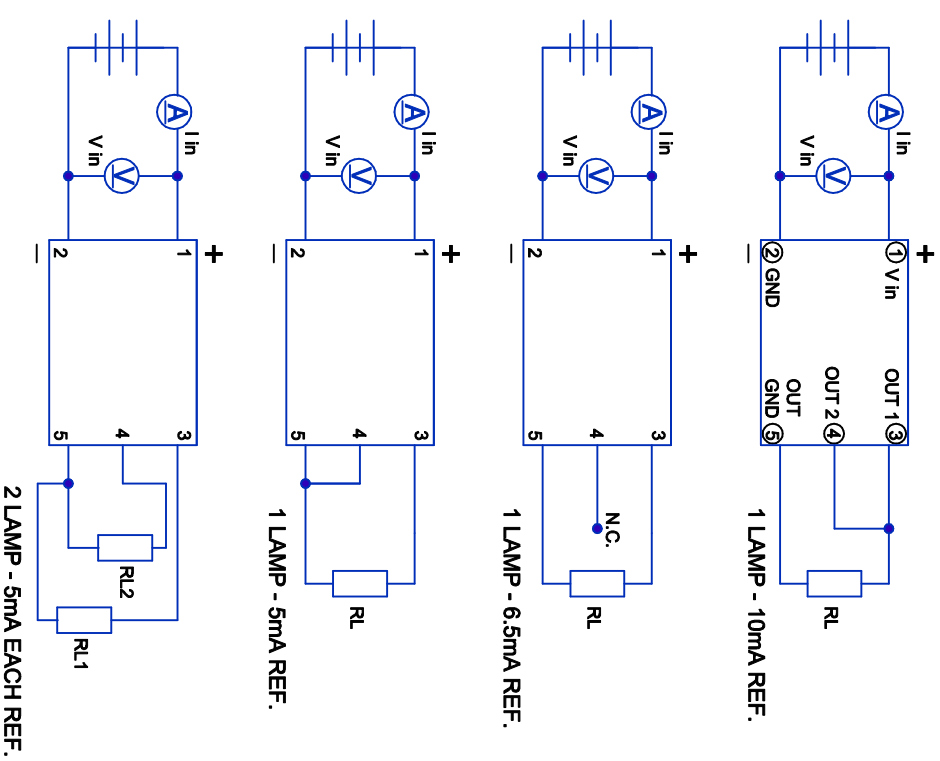
REV.	DESCRIPTION/ECO NO.	DATE
	RELEASED	3/10/03
A	DIM. CHANGE	3/27/03



CAUTION:
REVERSE POLARITY TO INVERTER
INPUT WILL CAUSE AN OPEN CIRCUIT
IN FUSE F1.

BOARD PIN #	INPUT
1	+V (V In)
2	V (GND)
3	OUT 1
4	OUT2
5	OUT (GND)

CHARACTERISTICS	MIN	TYP	MAX
INPUT VOLTAGE: (Vdc)	10.8	12.0	13.2
INPUT CURRENT: (mA)	220	260	500
OUTPUT VOLTAGE: (Vrms)	950	1000	1050
OUTPUT CURRENT (mA) x 2	4.5	5.5	6.5
OUTPUT FREQUENCY: (KHz)	25	35	45
OPERATING TEMP: (CELSIUS)	0	25	50



METRIC	DIMENSIONS ARE IN MILLIMETERS	TITLE	
	THIRD ANGLE PROJECTION	12 V CCFL POWER SUPPLY	
DRAWN BY L. WENGSTROM	APPROV'D BY F.D.	DATE 3/27/03	DATE 3/27/03
- CAD DRAWING - MANUAL REVISIONS NOT PERMITTED		SCALE NONE	REV. NO. OF SHEET A
J&L COMPONENTS CORPORATION		BXA-12529	