

CXA-P1212B-WJL

Dimming/Connector Type

Features

- 2-output
 - Applicable panel size*: 10 to 12 inches
 - With brightness control function (Pulse Wide Modulation mode).
 - With shut down function.
 - With a sensing function for running out of lamp (alarm output).
 - In the high-voltage generator(a terminal and a pattern), an anti-dust measure by silicone application is taken.
- (Notice) Applicable panel size becomes a standard.

Applications



CXA-P1212B-WJL Specifications (Please refer to each specification before use)

Electrical Characteristics

| Item | Unit | Symbol | Specification | | | Condition | | | | | | | Remark |
|----------------------|------|--------------------------|---------------|------|-----|-----------|---------|--------|---------|------------|----------|------------|------------------------------|
| | | | min | typ | max | Vin(V) | Vrmt(V) | Vbr(V) | Rbr(kΩ) | Ta(°C) | RL(kΩ) | CL(pF)(*3) | |
| Output Current | mA | Iout (Maximum dimmer) | 5.5 | 6.0 | 6.5 | 12±0.6 | 5 | 0 | - | 23±5 | 90 | 5 | Voltage dimmer (*1) |
| | | | 5.5 | 6.0 | 6.5 | 12±0.6 | 5 | - | 0 | 23±5 | 90 | 5 | Volume dimmer (*1) |
| | | | 5.3 | 6.0 | 6.7 | 12±1.2 | 5 | 0 | - | -10 to +70 | 85 to 95 | 5 | Voltage dimmer (*1) |
| | | | 5.3 | 6.0 | 6.7 | 12±1.2 | 5 | - | 0 | -10 to +70 | 85 to 95 | 5 | Volume dimmer (*1) |
| | | Iout (Minimum dimmer) | 1.2 | 2.0 | 2.8 | 12±0.6 | 5 | 2.5 | - | 23±5 | 90 | 5 | Voltage dimmer (*1) |
| | | | 1.2 | 2.0 | 2.8 | 12±0.6 | 5 | - | 50 | 23±5 | 90 | 5 | Volume dimmer (*1) |
| | | | 1.1 | 2.0 | 2.9 | 12±1.2 | 5 | 2.5 | - | -10 to +70 | 85 to 95 | 5 | Voltage dimmer (*1) |
| Input Current | A | Iin1 | - | 0.8 | 1.0 | 12±0.6 | 5 | 0 | - | -10 to +70 | 90 | 5 | Remote ON |
| | mA | Iin2 | - | - | 1 | 12±0.6 | - | 0 | - | -10 to +70 | 85 to 95 | 5 | Remote OFF |
| Frequency | kHz | Freq | 35 | 40 | 45 | 12±0.6 | 5 | 0 | - | -10 to +70 | 85 to 95 | 5 | |
| Open Circuit Voltage | Vrms | Vopen | 1500 | 1700 | - | 10.8min. | 5 | 0 | - | -10 to +70 | ∞ | | Open load |
| Alarm Signal | V | Vst | 4.5 | 5.0 | 5.5 | 12±1.2 | 5 | 0 | - | -10 to +70 | ∞ | | In case of lamp anomaly (*2) |
| | | | - | 0 | 0.5 | 12±1.2 | 5 | 0 | - | -10 to +70 | 85 to 95 | 5 | On a normal operation (*2) |

(*1) Please refer to the connection diagram for details of a dimming method.

(*2) Please refer to the connection diagram for details of alarm output.

(*3) As equivalent circuit of panel load, connect resistance load (RL) and distributed capacity (CL), and have provided by an electrical characteristic.

Other Specifications

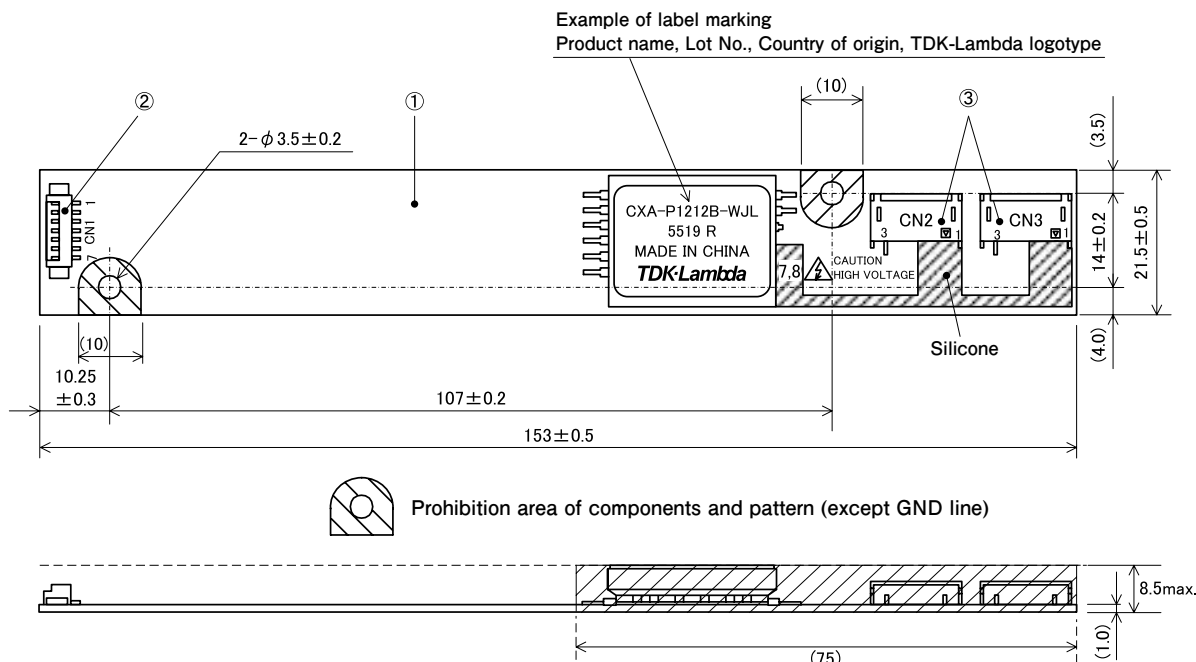
| | | |
|---------------------------------------|-----|-----------------|
| Dimming Function | | Yes |
| Operating Temperature | °C | -10 to +70 |
| Storage Temperature | °C | -30 to +85 |
| Operating Humidity Ratio | RH% | 95Max |
| Safety Standard | | - |
| Weight | g | 21.2 |
| Dimensions(WxDxH) | mm | 153x21x8.5 (*4) |
| Fused Input | | Yes |
| Remote ON / OFF | | Yes |
| Alarm Signal Function | | Yes |
| Shutdown Function | | Yes |
| Silicone Coating on High Voltage Area | | Yes |

(*4) These dimensions are indicated the maximum only H. Others are typical values.

Conformity to RoHs Directive

This means that, in conformity with EU Directive 2002/95/EC, lead, cadmium, mercury, hexavalent chromium, and specific bromine-based flame retardants, PBB and PBDE, have not been used, except for exempted applications.

Outline Drawing



Prohibition area of components and pattern (except GND line)

High-voltage generator ※

(The entire surface within a range of 75mm away from the end of the basein)

※From high-voltage generator, please secure space distance more than 3mm in top and bottom right and left.

unit:mm

Connector

| Connector number | Part number | Model/Material | Quantity | Remarks | Recommended applicable connector |
|------------------|---------------------------|-------------------------------|----------|--------------------|----------------------------------|
| ① | Printed circuit board PCB | Composite (CEM-3) | 1 | UL94V-0 t=1.0 | — |
| ② | Input connector CN1 | 53261-0771 | 1 | Molex Inc. | 51021-0700 |
| ③ | Output connector CN2, CN3 | SM02(8.0)B-BHS-1-TB (LF) (SN) | 2 | JST Mfg. Co., Ltd. | BHR-03VS-1 |

Terminal Numbers And Functions

Input side CN1

| Terminal number | Symbol | Rated voltage | Remarks |
|-----------------|--------------|---------------------|---------------------------------------------------------|
| CN1-1 | Vin | 12±1.2V | Power input |
| CN1-2 | | | |
| CN1-3 | GND | 0V | Ground |
| CN1-4 | | | |
| CN1-5 | Vrmt | 0V/2.5V to Vin | Remote terminal 0 to 0.4V : OFF 2.5 to Vin V : ON |
| CN1-6 | Vst (Output) | 0V/5V | Alarm output Lump open : 5V |
| CN1-7 | Vbr/Rbr | 0 to 2.5V/0 to 50kΩ | Dimmer terminal |

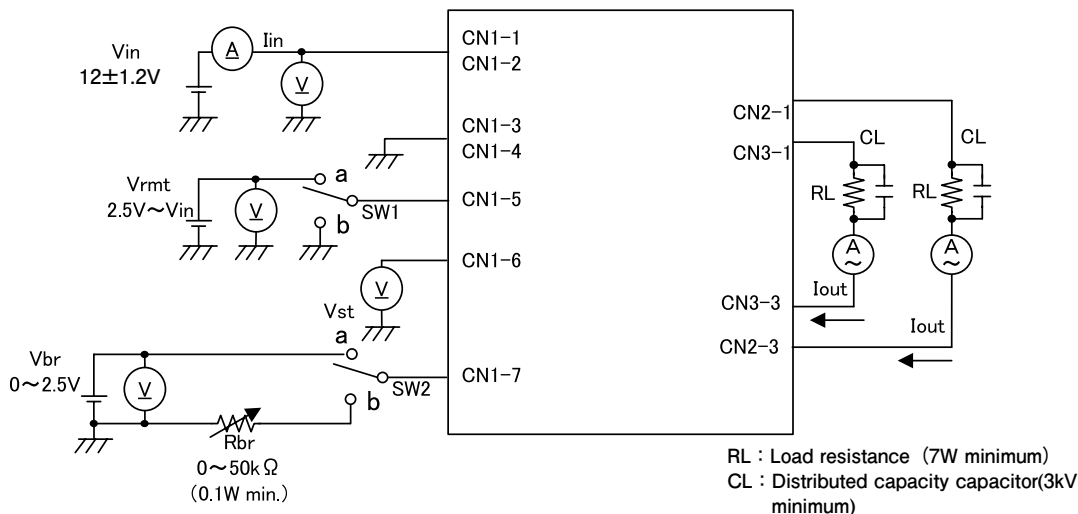
Output side CN2

| Terminal number | Symbol | Rated voltage | Remarks |
|-----------------|--------------------|---------------|-----------------|
| CN2-1 | V _{HIGH1} | 600Vrms | Output 1 |
| CN2-2 | N.C. | — | N.C. |
| CN2-3 | V _{LOW1} | (2V) | Output 1 return |

Output side CN3

| Terminal number | Symbol | Rated voltage | Remarks |
|-----------------|--------------------|---------------|-----------------|
| CN3-1 | V _{HIGH2} | 600Vrms | Output 2 |
| CN3-2 | N.C. | — | N.C. |
| CN3-3 | V _{LOW2} | (2V) | Output 2 return |

Connections



Operate as follows by switching SW1.

| SW1 | Unit operation |
|------|------------------|
| a | Operation |
| b | Does not operate |
| Open | Does not operate |

Operate as follows by switching SW2.

| SW2 | Unit operation |
|-----|---------------------------------|
| a | Voltage dimmer Vbr=0 to 2.5V |
| b | Volume dimmer VR=0 to 50kΩ |

※ Vbr=0V:Maximum brightness
 Rbr=0Ω:Maximum brightness

Protection circuit operation

| Load condition | Alarm output (CN1-6) ^{※1} | Shut-down function ^{※2} |
|----------------------------------|------------------------------------|----------------------------------|
| Normal condition | 0.5V max. | Does not shut down |
| When 1 load (lamp) is run-out | 5±0.5V | Does not shut down |
| When 2 loads (lamps) are run-out | 5±0.5V | Shut down |

※1: When more than one of RL was opened, output alarm signal of 5V.

※2: When all lamps were opened, this inverter has included protective function to stop operation in about 3 seconds.