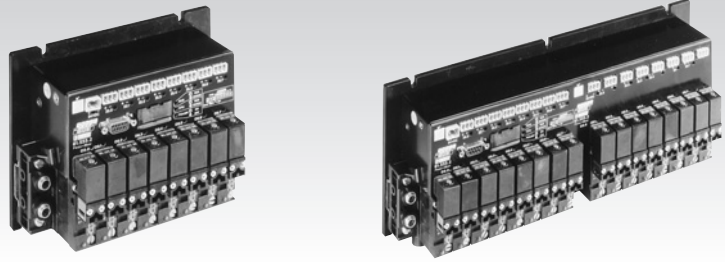


Miniature power valve stations



1

Part numbers

	81 555 2--	81 555 3--
Number of inputs (electrical)	8	16
Number of outputs (pneumatic)	8	16

Electrical characteristics

Power supply	VDC	24 -10 % +15%	24 -10 % +15%
Ripple max.	Un	5 %	5 %
Consumption per pilot solenoid valve	mA	40	40
Max. sensor consumption	mA	500	500
Dielectric strength acc. to IEC1131-2	KV DC	0,8	0,8
Electromagnetic compatibility IEC 801-2-3-4 and IEC 255-4		Level 3	Level 3
Power supply connection		Phoenix 3-pin plug connector 3.81 mm pitch	Phoenix 3-pin plug connector 3.81 mm pitch
Input connections (electrical)		Phoenix 3-pin plug connector 3.81 mm pitch	Phoenix 3-pin plug connector 3.81 mm pitch
Type of inputs		2 or 3-wire sensors for Un = 24 VDC	2 or 3-wire sensors for Un = 24 VDC
Operating voltage for each input	VDC	Level 1 : 11 to 30 Level 0 : 0 to 5	Level 1 : 11 to 30 Level 0 : 0 to 5
Current consumption for each input	mA	In : 12 ± 5	In : 12 ± 5
Insulation resistance for each input	DC	800	800

Pneumatic characteristics

Number of valve positions at 17.5 mm intervals		8	16
Connection of common supply of pressurised medium		2 push-in connectors for 6 mm o.d. tubing	3 push-in connectors for 6 mm o.d. tubing
Connection of common exhaust		2 push-in connectors for 6 mm o.d. tubing	3 push-in connectors for 6 mm o.d. tubing
Output connections		2 push-in connectors for 4 or 6 o.d. tubing per mounting position	2 push-in connectors for 4 or 6 o.d. tubing per mounting position
Working pressure	bars	3.5 to 8 bars for 81 516 power valves 3 to 8 bars for 81 513 power valves	3.5 to 8 bars for 81 516 power valves 3 to 8 bars for 81 513 power valves
Working medium		Compressed air or inert gas oil-free air filtered to 50 µ	Compressed air or inert gas oil-free air filtered to 50 µ

General characteristics

Class of protection IEC 529		IP 20	IP 20
Operating temperature IEC 68-2-14	°C	-5 to +50	-5 to +50
Storage temperature IEC 68-2-1-2	°C	-15 to +50	-15 to +50
Vibration resistance IEC 68-2-6	HZ	10 to 57 / 0.5 g / amplitude 0.0375 mm	10 to 57 / 0.5 g / amplitude 0.0375 mm
Weight (not fitted with valve modules)	g	750	1 406

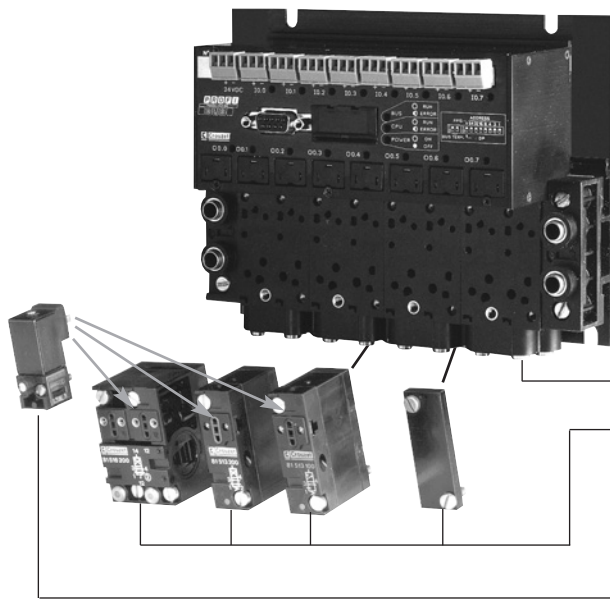
PROTOCOL	PROFIBUS	CBUS	DEVICE NET
Disk containing configuration files	79 453 656	—	79 453 660
Programming manual	French	79 453 630	79 453 633
	English	79 453 631	79 453 634
	German	79 453 632	79 453 635
Other versions	Profibus DP Profibus FMS (DIN 19245) Sindec L2 TF (Siemens)	Modbus	
Type of link	RS 485	RS 485	as standard Device Net
Connection	SUB D 9 connector	SUB D 9 connector	Phoenix plug connector 5.08 mm pitch / 5-pin
Speed selection	Automatic recognition	with 2 switches	with 2 switches
Speeds (K bits / sec)	9,6 19,2 93,75 187,5 500	2,4 4,8 9,6 19,2	125 250 500
Transmission distance (m)	1200 1200 1200 1000 200	1200 1200 1200 1200	500 200 100
Setting station addresses	with 7 switches	with 5 switches	with 6 switches
Max. number of stations	127	31	54

Other informations	To order, specify :
Other communication protocol : please consult us.	1 Standard products Part number Example : See page 5/19.
Other configurations : please consult us.	

Products and specifications subject to change without notice.
Consult factory for application assistance.

204 Airline Drive, Suite 300, Coppell, Texas 75019 / Tel: (888) 778-2733 / FAX: (888) 329-9773 / www.crouzet-usa.com

To order, specify :



Reference for the station configuration
 81 555 2 station with 8 inputs / 8 outputs
 81 555 3 station with 16 inputs / 16 outputs

Communications protocol
 Profibus
 C-Bus
 Device Net

Dimension of connectors for output ports
 push-in connectors for Ø 4 mm
 push-in connectors for Ø 6 mm

Reference for valve modules and corresponding quantity
 81 513 100 valve module 3/2 NC (1 mounting position)
 81 513 200 valve module 4/2 monostable (1 mounting position)
 81 516 100 valve module 4/2 monostable (2 mounting positions)
 81 516 200 valve module 4/2 bistable (2 mounting positions)
 81 516 085 blanking plate (1 mounting position)

Reference for pilot solenoid valves and corresponding quantity
 81 519 032 without manual override
 81 519 332 with pulsed manual override
 81 519 632 with maintained manual override

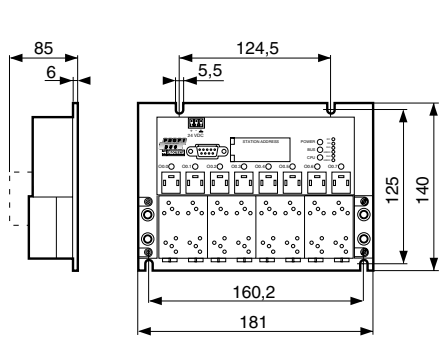
Example of an order :

1 station with 8 inputs / 8 outputs 81 555 2, Profibus DP protocol, push-in connectors Ø 6 mm, 7 valve modules 81 513 100, 1 blanking plate 81 516 085, 7 pilot solenoid valves without manual override 81 519 032.

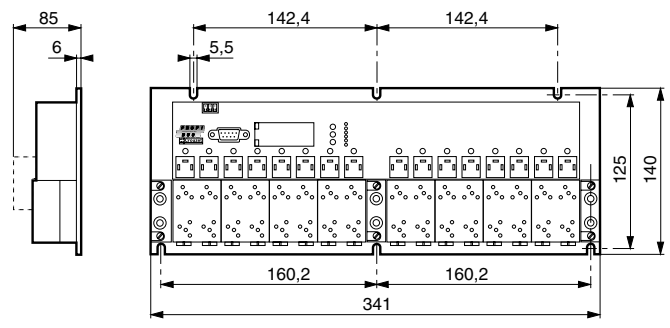
Note : Disks containing the configuration files and programming manuals should both be ordered separately.

Dimensions

81 555 2--



81 555 3--



Products and specifications subject to change without notice.
 Consult factory for application assistance.

204 Airline Drive, Suite 300, Coppell, Texas 75019 / Tel: (888) 778-2733 / FAX: (888) 329-9773 / www.crouzet-usa.com

