

3-terminal Filters(SMD Array) For High-speed Signal Line

Conformity to RoHS Directive

MEA Series MEA1210PH Type

FEATURES

- 2-line LC filter are built in one chip for high-density circuit design.
- 0.5mm low profile.
- It is effective as a sensitivity suppression technique for mobile phones.
- This product is suitable for the LCD signal lines in mobile phone.

APPLICATIONS

For LCD and camera signal lines in mobile phone.

TEMPERATURE RANGES

Operating	-40 to +85°C
-----------	--------------

PRODUCT IDENTIFICATION

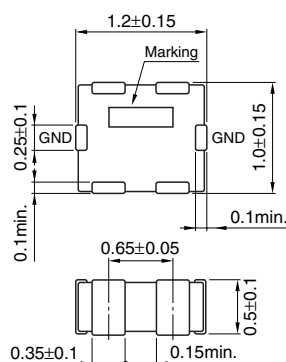
MEA	1210	P	H220	T
(1)	(2)	(3)	(4)	(5)

- | | |
|-------------------|-----------------------------|
| (1)Series name | (4)Capacitance (pF) |
| (2)Dimensions L×W | C220: 22pF |
| (3)L type circuit | (5)Packaging style T:Taping |

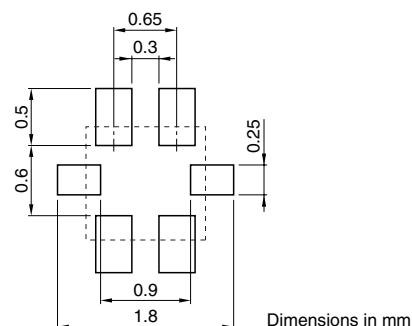
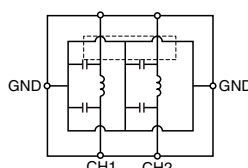
PACKAGING STYLE AND QUANTITIES

Packaging style	Quantity
Taping	4000 pieces/reel

SHAPES AND DIMENSIONS/CIRCUIT DIAGRAM/RECOMMENDED PC BOARD PATTERN (REFLOW)



Weight: 3.5mg
Dimensions in mm



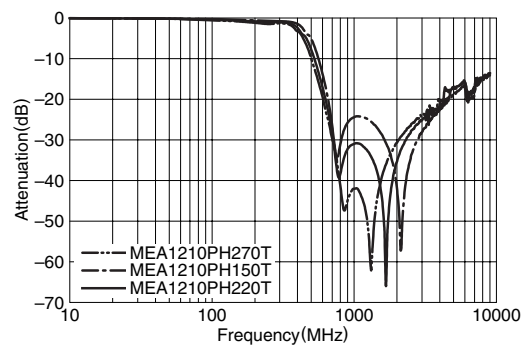
ELECTRICAL CHARACTERISTICS

Part No.	Rated voltage (V)max.	Rated current (mA)max.	Capacitance (pF)	Cutoff frequency (MHz)
MEA1210PH150	6.3	100	15	400
MEA1210PH220	6.3	100	22	400
MEA1210PH270	6.3	100	27	400

- Conformity to RoHS Directive: This means that, in conformity with EU Directive 2002/95/EC, lead, cadmium, mercury, hexavalent chromium, and specific bromine-based flame retardants, PBB and PBDE, have not been used, except for exempted applications.
- Please contact our Sales office when your application are considered the following:
The device's failure or malfunction may directly endanger human life (e.g. application for automobile/aircraft/medical/nuclear power devices, etc.)

• All specifications are subject to change without notice.

TYPICAL ELECTRICAL CHARACTERISTICS ATTENUATION vs. FREQUENCY CHARACTERISTICS



RECOMMENDED SOLDERING CONDITION REFLOW SOLDERING

