

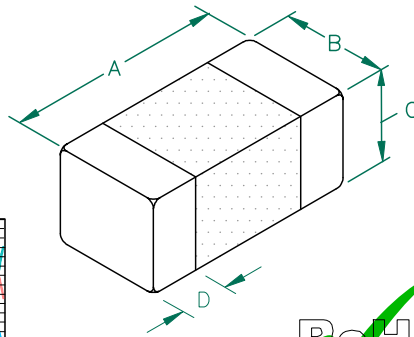


# MI0603L221R-11

**UNCONTROLLED DOCUMENT**

### PHYSICAL DIMENSIONS:

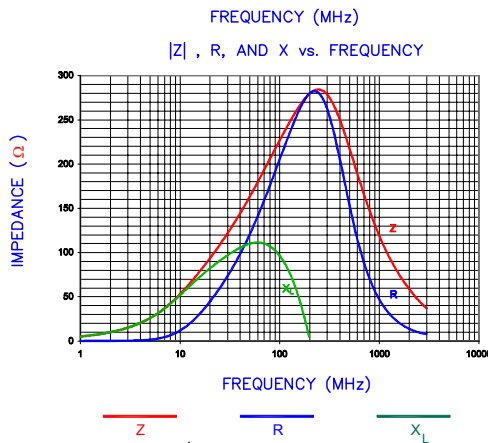
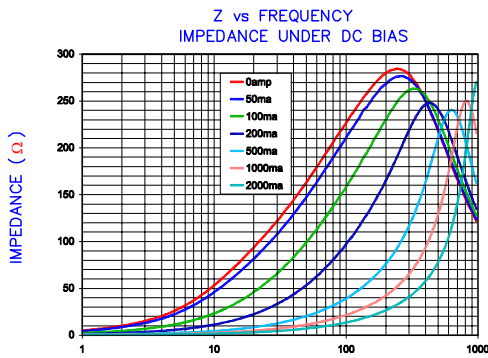
A	1.60 [.063]	± 0.15 [.006]
B	0.80 [.031]	± 0.15 [.006]
C	0.80 [.031]	± 0.15 [.006]
D	0.36 [.014]	± 0.15 [.006]



ELECTRICAL CHARACTERISTICS:		
Z @ 100MHz (Ω)	DCR (Ω)	Rated Current
Nominal	220	0.065
Minimum	165	0.050
Maximum	275	0.080
		2000 mA

NOTES: UNLESS OTHERWISE SPECIFIED

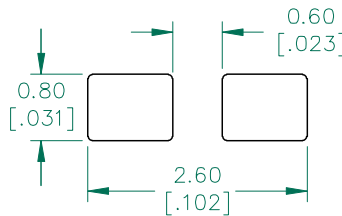
1. TAPED AND REELED per CURRENT EIA SPECIFICATIONS 7" REELS, 4000 PCS/REEL.
2. COMPONENTS SHOULD BE ADEQUATELY PREHEATED BEFORE SOLDERING.
3. TERMINATION FINISH IS 100% TIN.



AGILENT E4991A RF Impedance/Material Analyzer  
HP 16194A Test Fixture. TEST REF. 3375

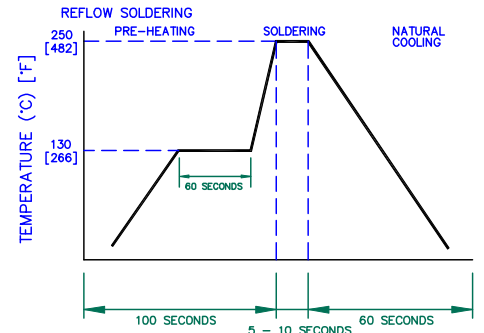


### LAND PATTERNS FOR REFLOW SOLDERING



(For wave soldering, add 0.762 [.030] to this dimension)

### RECOMMENDED SOLDERING CONDITIONS



DIMENSIONS ARE IN mm [INCHES]				THIS DOCUMENT CONTAINS INFORMATION WHICH IS PROPRIETARY AND CONFIDENTIAL TO STEWARD. NO PRODUCTION OR PUBLICATION OF THIS DOCUMENT IN WHOLE OR IN PART SHALL BE MADE WITHOUT WRITTEN AUTHORIZATION FROM STEWARD.			
				<b>Steward</b>			
PROJECT/PART NUMBER:				REV	PART TYPE	DRAWN BY:	
MI0603L221R-11				A	CO-FIRE	JRK	
DATE:				SCALE:	SHEET:		
08/16/04				-	2 of 2		
REV	DESCRIPTION	DATE	INT	DATE	TOOL #		
A	ORIGINAL DRAFT	08/16/04	JRK	08/16/04	-		
				MI0603L221R-11-A	-		