

SMD 2.0 x 1.2 Tuning Fork



Model: FX122

RoHS Compliant / Pb Free

Rev. 8/6/2010

Page 1 of 2

http://www.foxonline.com/need_a_sample.htm



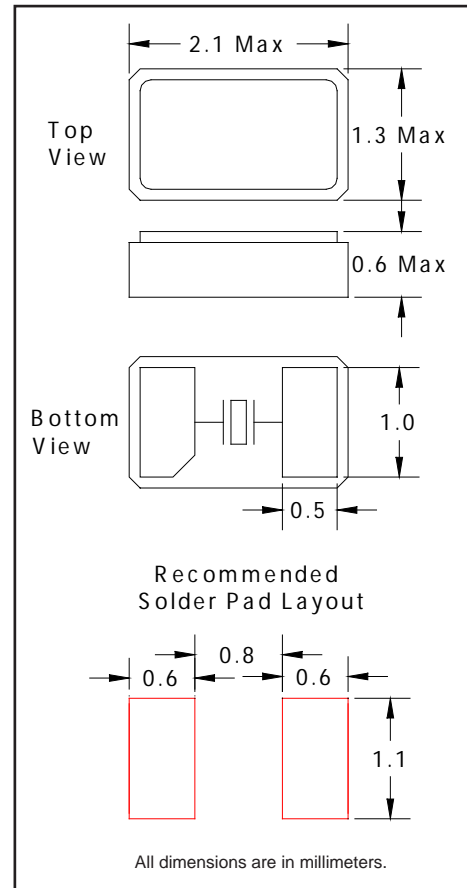
FEATURES

- Ultra Low Profile
- 0.6mm Height
- Long Term Stability
- Tape and Reel (3,000 pcs. STD)

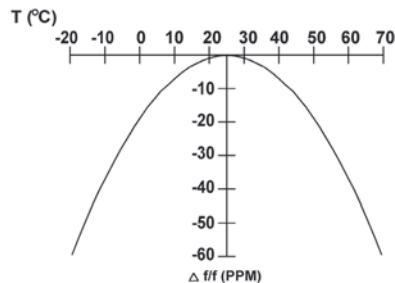
• PART NUMBER Learn More - Internet Required				
Part Number	Model Number	Frequency Stability	Operating Temperature	Frequency
832-0.032768-xxxxx	FX122	-0.04PPM/($\Delta^{\circ}\text{C}^2$)	-40 ~ +85 $^{\circ}\text{C}$	32.768 kHz

• STANDARD SPECIFICATIONS	
PARAMETERS	MAX (unless otherwise noted)
Frequency	32.768 kHz
Frequency Tolerance @ 25 $^{\circ}\text{C}$	± 20 PPM
Frequency Stability Temperature Coefficient	-0.04 PPM / ($\Delta^{\circ}\text{C}^2$)
Temperature Range	
Turnover (TO)	+20 $^{\circ}\text{C}$ ~ +30 $^{\circ}\text{C}$
Operating (TOPR)	-40 $^{\circ}\text{C}$ ~ +85 $^{\circ}\text{C}$
Storage (TSTG)	-55 $^{\circ}\text{C}$ ~ +125 $^{\circ}\text{C}$
Equivalent Series Resistance (RS)	90 k Ω
Load Capacitance (CL)	12.5 pF Standard 9.0 pF Optional
Insulation Resistance @ 100VDC	500M Ω Min
Drive Level	0.5 μW
Aging per year	± 3 PPM
Reflow Soldering Temperature	260 $^{\circ}\text{C}$ / 10 Seconds
Moisture Sensitivity Level (MSL)	1
Termination Finish	Au (over Ni)

* Dimensional drawing is for reference to critical specifications defined by size measurements. Certain non-critical visual attributes, such as side castellations, reference pin shape, etc. may vary. All specifications subject to change without notice.



Parabolic Temperature Curve



To determine frequency stability, use parabolic curvature (K).
For example: What is stability at 45 $^{\circ}\text{C}$?

- 1) Change in T ($^{\circ}\text{C}$) = 45-25 = 20 $^{\circ}\text{C}$
- 2) Change in frequency = $-0.04 \text{ PPM} * (\Delta \text{C})^2$
 $= -0.04 \text{ PPM} * (20)^2$
 $= -16.0 \text{ PPM}$

SMD 2.0 x 1.2 Tuning Fork



Model: FX122

RoHS Compliant / Pb Free

Rev. 8/6/2010

Page 2 of 2

http://www.foxonline.com/need_a_sample.htm



• TAPE SPECIFICATIONS (millimeters)

MODEL	A	B	C	D	E	F	STD Reel QTY
FX122	Ø1.5	4.0	4.0	3.5	8.0	0.8	3,000

• REEL SPECIFICATIONS (millimeters)

MODEL	G	H	I	J	K	L	M
FX122	2.0	Ø13	Ø21	Ø60	Ø180	9.0	2.0

