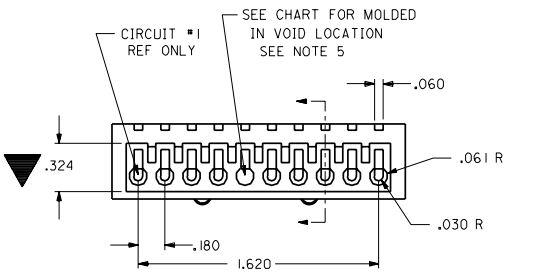
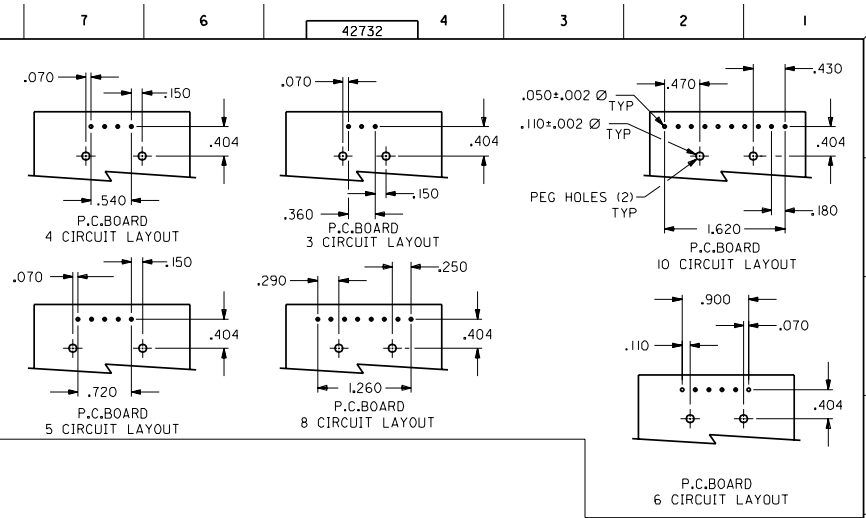
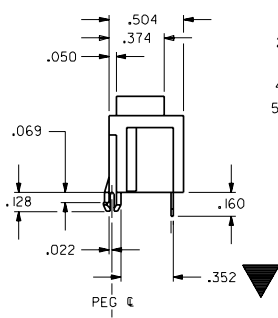
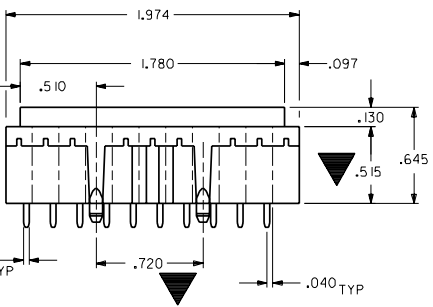


HOUSING TO BE MOLDED IN 3,4,5,6,8&10 CIRCUITS AS SHOWN  
NOTE P.C.BOARD LOCKING PEG LOCATIONS



SEE CHART FOR MOLDED IN VOID LOCATION SEE NOTE 5

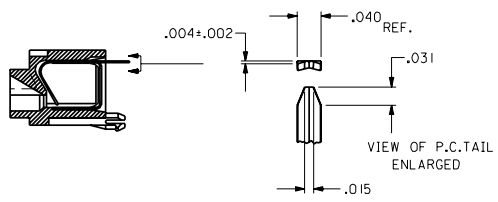


NOTES:

1. FOR USE WITH 16AWG SOLID & 18AWG SOLID OR STRANDED WIRE WITH TIN TOP COAT OR 20AWG STRANDED WIRE WITH TIN TOP COAT. INSULATION O.D. .079/.118.
2. SUGGESTED STRIP LENGTH OF MATED WIRE TO BE WITHIN .320-.380 LONG.
3. MONITORED OR CHARTED DIMENSIONS.
4. FOR PRODUCT SPECIFICATIONS SEE PS-42732.
5. TUBE PACK PER: PK-44743-003

MATERIAL:

HOUSING- POLYESTER (7 1/2% GLASS FILLED); COLOR- WHITE  
TERMINAL- .013 THICK PHOS. BRONZE PRE-TIN PLATE



R3		ADD/REL -2083 UCR1999-0528 99-2-12 SAMEIC	DIMENSIONS SHOWN METRIC INCH UNLESS OTHERWISE SPECIFIED TOLERANCES: ANGULAR ± 1/2°		▽ = 0 ▽ = 9 REVISION ONLY ON CAD SYSTEM		
S		REV TUBE TO WW ST UCR2000-0817 8-10-00 SAMEIC	INCH METRIC 3 PLACE ± .005 --- 4 PLACE ± .0016 ± .023 1 PLACE --- ± .085		TITLE WIRE TRAP ASSEMBLY		
R4		ADD/REL 2102 UCR1999-0598 4-4-99 SAMEIC	DRAFT WHERE APPLICABLE MUST REMAIN WITHIN DIMENSIONS		MOLEX INCORPORATED SHEET NO. DATE 10/26/90		
R1		REL -2082 UCR1999-0274 98-10-26 SAMEIC	DRAWN BY: EDGLEY APP'D: LENZ		FILE NAME: SDA-42732-0 MFG. INC. AND SHOULD NOT BE USED WITHOUT WRITTEN PERMISSION.		
LTR. REVISIONS		LTR. REVISIONS		SCALE: 2:1		REV. SIZE: C C	

42732

2 R4  
1 S  
MFG. SH. REV.

A

