



Copyright FCI



FCIconnect.com



1 | 2

3 |

4

PRODUCT NUMBER  
20020619-XXXXXXLF

20020619- [ ] [ ] [ ] [ ] A 0 [ ] LF

PITCH  
M : 7.62 mm

POLES  
02: 2 POLES  
03: 3 POLES  
04: 4 POLES  
:  
:  
16: 16 POLES

LF : DENOTED ROHS COMPATIBLE

1 : STANDARD PRODUCT  
W/ BOX PACKING

HOUSING CODE

PROPERTY TABLE	
FCI SERIES NAME	07-762
PITCH (mm)	7.62
VOLTAGE RATING (VAC)	300
CURRENT RATING (A)	32
WITHSTANDING VOLTAGE (kV)	1.6
OPERATING TEMP. (°C)	-40~+115
SOLDERING TEMP. (°C)	250±10 (5 sec.)
POLES AVAILABLE	02~16
SAFETY CERTIFICATE	

CODE	COLOR	AVAILABILITY
1	GREEN(RAL 6018/T)	STANDARD
2	BLACK	ON REQUEST ONLY
3	GREY(RAL 7004/P)	ON REQUEST ONLY
4	BLUE(RAL 5015/A)	ON REQUEST ONLY

NOTES:

- MATERIALS  
1-1 HOUSING: THERMALPLASTIC RESIN, UL 94V-0 RATED.  
1-2 TERMINAL: COPPER ALLOY, TIN PLATED.
- PRODUCTION SPECIFICATION REFER TO FCI GS-12-625.
- BOXED PACKAGING.  
DETAILED PRODUCT PACKING SPECIFICATION REFER TO FCI GS-14-1394.
- FCI, SAFETY CERTIFICATE LOGO AND SERIES NAME TO BE SHOWN ON PRODUCT SURFACE.
- THE PRODUCTS WHERE THE PART NUMBER END IN "LF" MEET THE EUROPEAN UNION DIRECTIVE AND OTHER COUNTRY REGULATIONS AS DESCRIBED IN GS-22-008.
- RECOMENDED SOLDERING PROCESS BY WAVE SOLDER.

mat'l. code		surface ASME Y14.5 ✓		tolerance ASME Y14.5		projection		product family	
itr		ecn no		dr		date		title	
A		T10-0062		WL		050710		TERMINAL BLOCK	
B		T10-0155		WL		093010		TERMINAL BLOCK	
C		T10-0187		WL		121410		PLUGGABLE, SOCKET, POWER, R/A	
								W/FLANGE	
				dr		WENDY CHEN		042610	
				enrg		JASON HSU		042610	
				chr		GARY HSIEH		042610	
				appd		JOSEPH HSIA		042610	
sheet index		revision sheet		C		C		type	
				1		2		CUSTOMER Drawing	

form: A4mmXLc

1 |

2 |

PDM: Rev:C 3 | STATUS:Released Printed: Dec 22, 2010 4



Copyright FCI



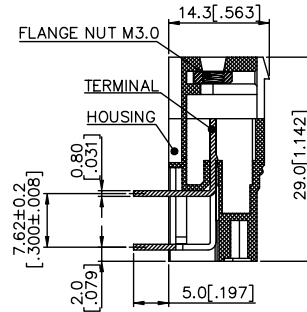
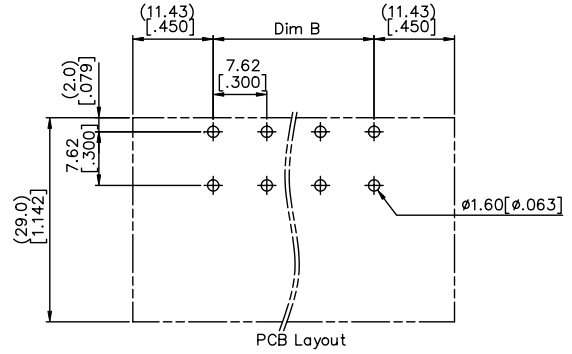
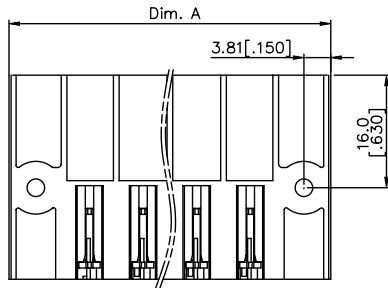
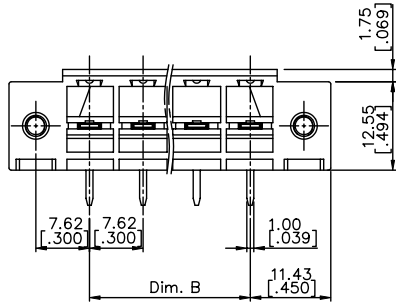
FCIconnect.com

1 | 2

3 |

4

PRODUCT NUMBER	SERIES NAME	PITCH
20020619-MXXXXXXLF	07-762	7.62 mm



POLE	2	3	4	5	6	7	8	9	10	11	12
Dim. A	30.48 [1.200]	38.10 [1.500]	45.72 [1.800]	53.34 [2.100]	60.96 [2.400]	68.58 [2.700]	76.20 [3.000]	83.82 [3.300]	91.44 [3.600]	99.06 [3.900]	106.68 [4.200]
Dim. B	7.62 [.300]	15.24 [.600]	22.86 [.900]	30.48 [1.200]	38.10 [1.500]	45.72 [1.800]	53.34 [2.100]	60.96 [2.400]	68.58 [2.700]	76.20 [3.000]	83.82 [3.300]
Tol.	±0.15 [±.006]			±0.25 [±.010]				±0.35 [±.018]			
POLE	13	14	15	16							
Dim. A	14.30 [4.500]	21.92 [4.800]	29.54 [5.100]	37.16 [5.400]							
Dim. B	91.44 [3.600]	99.06 [3.900]	106.68 [4.200]	114.30 [4.500]							
Tol.	±0.40 [±.018]										

mat'l. code	surface ASME Y14.5	tolerance ASME Y14.5	projection	product family TERMINAL BLOCK		
ltr	ecn	no	dr	date	tolerances unless otherwise specified	title TERMINAL BLOCK PLUGGABLE, SOCKET, POWER, R/A W/FLANGE
c	angles	dr	WENDY CHEN	042610	MM [INCH]	MM [INCH]
	X±1°	enr	JASON HSU	042610	X.±0.5 X.X±0.3 X.XX±0.1	scale
		chr	GARY HSIEH	042610		FCI
		appd	JOSEPH HSIA	042610		dwg no
sheet	revision	index	sheet			20020619
						sheet 2 of 2
						size
						A4
						type
						CUSTOMER Drawing

form: A4mmXlc

1 |

2 |

PDM: Rev:C 3 | STATUS:Released Printed: Dec 22, 2010 4