



Copyright FCI



FCIconnect.com

1 | 2

3

4

PRODUCT NUMBER  
20020012-XXXXXXLF

20020012-□ □ □ □ □ 0 □ □ L F

PITCH  
C: 3.50mm  
D: 3.81mm  
G: 5.00mm  
H: 5.08mm

POLES  
02: 2 POLES  
03: 3 POLES  
04: 4 POLES  
...  
24: 24 POLES

LF : DENOTED RoHS COMPATIBLE  
1 : STANDARD PRODUCT  
W/ BOX PACKING

PROPERTY TABLE						
FCI SERIES NAME	03-350	03-381	03-500	03-508		
PITCH (mm)	3.50	3.81	5.00	5.08		
VOLTAGE RATING (VAC)	300	300	300	300		
CURRENT RATING (A)	10	10	10	10		
APPLICABLE WIRE RANGE (AWG)	1-WIRE	16~28	16~28	12~22		
	2-WIRE	20	20	18		
WIRE CROSS SECTION (mm <sup>2</sup> )	SOLID	1-WIRE	1.5	1.5	2.5	2.5
		2-WIRE	0.5	0.5	1.0	1.0
	STRANDED	1-WIRE	1.5	1.5	2.5	2.5
		2-WIRE	0.75	0.75	1.5	1.5
OPENING CONTACT HOUSING(mm <sup>2</sup> )	1.8x2.8	1.8x2.8	2.0x2.7	2.0x2.7		
WIRE STRIP LENGTH(mm)	6~7	6~7	6~7	6~7		
TORQUE +/- 10% (N-m/Lb-in)	0.19/1.7	0.19/1.7	0.4/3.5	0.4/3.5		
SCREW	M2x0.4	M2x0.4	M2.5x0.4	M2.5x0.4		
WITHSTANDING VOLTAGE (kV)	1.6	1.6	1.6	1.6		
OPERATING TEMP. (°C)	-40~+115	-40~+115	-40~+115	-40~+115		
POLES AVAILABLE	02~24	02~24	02~24	02~24		
SAFETY CERTIFICATE						

SCREW CODE

CODE	SCREW TYPE	AVAILABILITY
A	-/+	ON REQUEST ONLY
B	-	STANDARD

ALL FLANGE SCREWS ARE ONLY AVAILABLE IN +/- COMBINATION SCREW TYPES.

HOUSING CODE

CODE	COLOR	AVAILABILITY
1	GREEN(RAL 6018/T)	STANDARD
2	BLACK	ON REQUEST ONLY
3	GREY(RAL 7004/P)	ON REQUEST ONLY
4	BLUE(RAL 5015/A)	ON REQUEST ONLY

NOTES:

- MATERIALS
  - 1-1 HOUSING: THERMALPLASTIC RESIN, UL 94V-0 RATED.
  - 1-2 SCREW: STEEL, ZINC PLATED.
  - 1-3 CLAMP: COPPER ALLOY, NICKEL PLATED.
  - 1-4 TERMINAL: COPPER ALLOY, TIN PLATED.
- PRODUCT SPECIFICATION REFER TO FCI GS-12-625.
- PRODUCT PACKING SPECIFICATION REFER TO FCI GS-14-1394.
- FCI, SAFETY CERTIFICATE LOGO AND SERIES NAME TO BE SHOWN ON PRODUCT SURFACE.
- THE PRODUCTS WHERE THE PART NUMBER END IN "LF" MEET THE EUROPEAN UNION DIRECTIVE AND OTHER COUNTRY REGULATIONS AS DESCRIBED IN GS-22-008.

mat'l. code		surface	tolerance	projection	product family	
		ASME Y14.5	ASME Y14.5		TERMINAL BLOCK	
itr	ecn no dr	date	tolerances unless otherwise specified	MM	title	
A	T10-0082	WL 080810	angles	X.±0.5	TERMINAL BLOCK	
B	T10-0158	WL 100410		X.X±0.3	PLUGGABLE, PLUG, SIGNAL, W/FLANGE	
C	T10-0180	WL 111510	X'±1'	X.XX±0.1	FRONT SCREW	
D	T10-0186	WL 120810	dr	WENDY CHEN 051810	dwg no	
E	T11-0006	WL 012611	enr	JASON HSU 051810	sheet 1 of 5	
			chr	GARY HSIEH 051810	size	
			appd	JOSEPH HSIA 051810	20020012	
sheet	revision	E	E	E	E	A4
index	sheet	1	2	3	4	5
					type	CUSTOMER Drawing

form: A4mmXLc

1

2

PDM: Rev:E 3 | STATUS:Released Printed: Jan 26, 2011 4



Copyright FCI



FCIconnect.com

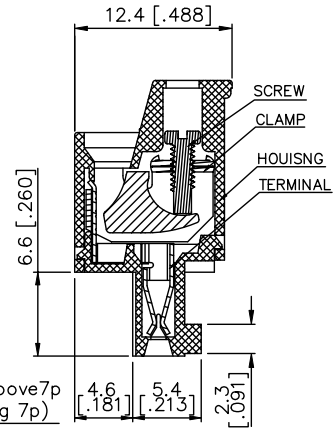
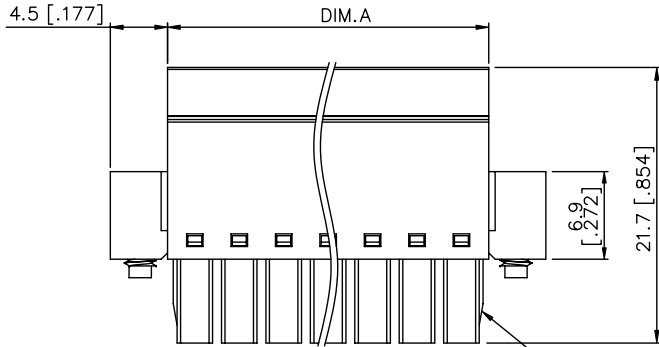
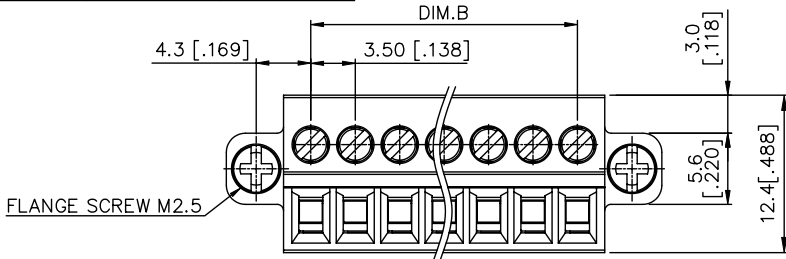


1 | 2

3

4

PRODUCT NUMBER	SERIES NAME	PITCH
20020012-CXXXXXLFL	03-350	3.50 mm



POLE	2	3	4	5	6	7	8	
DIM.A	7.80[.307]	11.30[.445]	14.80[.583]	18.30[.720]	21.80[.858]	25.30[.996]	28.80[1.134]	
DIM.B	3.50[.138]	7.00[.276]	10.50[.413]	14.00[.551]	17.50[.689]	21.00[.827]	24.50[.965]	
Tol.	±0.10[.004]			±0.15[.006]			±0.20[.008]	
POLE	9	10	11	12	13	14	15	16
DIM.A	32.30[1.272]	35.80[1.409]	39.30[1.547]	42.80[1.685]	46.30[1.823]	49.8[1.961]	53.3[2.098]	56.8[2.236]
DIM.B	28.00[1.102]	31.50[1.240]	35.00[1.378]	38.50[1.516]	42.00[1.654]	45.5[1.791]	49.0[1.929]	52.50[2.067]
Tol.	±0.20[.008]			±0.25[.010]				
POLE	17	18	19	20	21	22	23	24
DIM.A	60.3[2.374]	63.8[2.512]	67.3[2.650]	70.8[2.787]	74.3[2.925]	77.8[3.063]	81.30[3.20]	84.8[3.339]
DIM.B	56.00[2.205]	59.50[2.342]	63.00[2.480]	66.50[2.618]	70.00[2.756]	73.50[2.894]	77.00[3.031]	80.50[3.169]
Tol.	±0.25[.010]			±0.30[.012]				

mat'l. code	surface ASME Y14.5	tolerance ASME Y14.5	projection	product family
tr ecn no dr date	tolerances unless otherwise specified	angles	MM [INCH]	TERMINAL BLOCK
E		X±0.5	scale	title
		X.X±0.3		TERMINAL BLOCK
		X.XX±0.1		PLUGGABLE, PLUG, SIGNAL, W/FLANGE
	dr WENDY CHEN 051810			FRONT SCREW
	enr JASON HSU 051810			dwg no 20020012 sheet 2 of 5 size A4
	chr GARY HSIEH 051810			type CUSTOMER Drawing
	appd JOSEPH HSIA 051810			
sheet index	revision sheet			

form: A4mmXlc

1

2

PDM: Rev:E 3 | STATUS:Released Printed: Jan 26, 2011 4



Copyright FCI



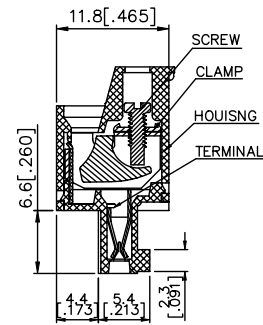
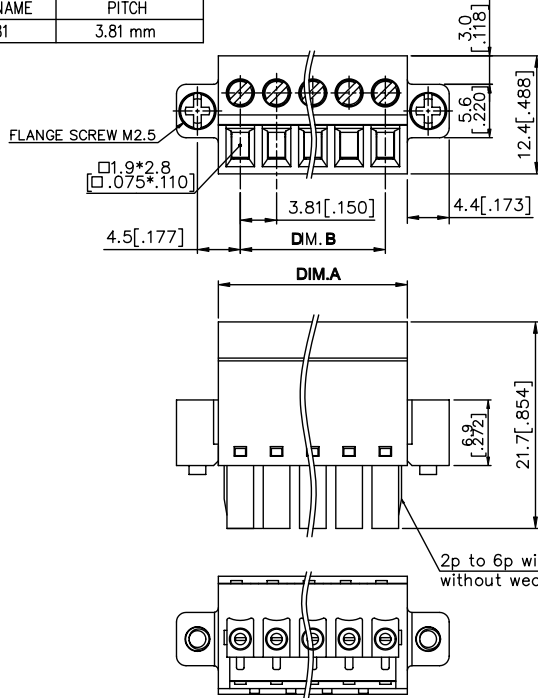
FCIconnect.com

1 | 2

3 |

4

PRODUCT NUMBER	SERIES NAME	PITCH
20020012-DXXXXXLF	03-381	3.81 mm



2p to 6p with wedge, above 7p without wedge (including 7p)

POLE	2		3	4	5	6	7	8
Dim.A	8.42[.331]	12.23[.481]	16.04[.631]	19.85[.781]	23.66[.931]	27.47[1.081]	31.28[1.231]	
Dim.B	3.81[.150]	7.62[.300]	11.43[.45]	15.24[.60]	19.05[.750]	22.86[.900]	26.67[1.050]	
Tol.	±0.15[.006]				±0.20[.008]			
POLE	9	10	11	12	13	14	15	16
Dim.A	35.09[1.381]	38.90[1.531]	42.71[1.681]	46.52[1.831]	50.33[1.981]	54.14[2.131]	57.95[2.281]	61.76[2.431]
Dim.B	30.48[1.200]	34.29[1.350]	38.10[1.500]	41.91[1.650]	45.72[1.800]	49.53[1.950]	53.34[2.100]	57.15[2.25]
Tol.	±0.20[.008]				±0.25[.010]			
POLE	17	18	19	20	21	22	23	24
Dim.A	65.57[2.581]	69.38[2.731]	73.19[2.881]	77.00[3.181]	80.81[3.331]	84.62[3.481]	88.43[3.631]	92.24[3.781]
Dim.B	60.96[2.400]	64.77[2.550]	68.58[2.700]	72.39[2.850]	76.20[3.000]	80.01[3.150]	83.82[3.300]	87.63[3.450]
Tol.	±0.25[.010]				±0.30[.012]			

mat'l. code	surface ASME Y14.5	tolerance ASME Y14.5	projection	product family
ltr ecn no dr date	tolerances unless otherwise specified		MM [INCH]	TERMINAL BLOCK
E	angles	X.±0.5	scale	title
	X'±1	X.X±0.3		TERMINAL BLOCK PLUGGABLE, PLUG, SIGNAL, W/FLANGE FRONT SCREW
	dr WENDY CHEN	051810		dwg no
	enr JASON HSU	051810		sheet 3 of 5
	chr GARY HSIEH	051810		size
	appd JOSEPH HSIA	051810		20020012 A4
sheet index	revision sheet			type CUSTOMER Drawing

form: A4mmXLC

1 |

2 |

PDM: Rev:E 3 | STATUS:Released Printed: Jan 26, 2011 4



Copyright FCI



FCIconnect.com

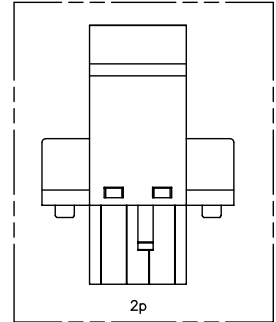
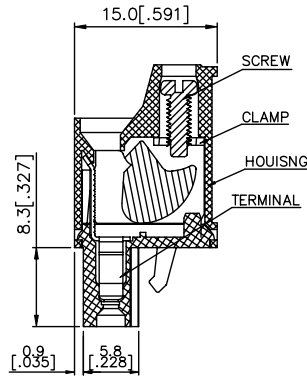
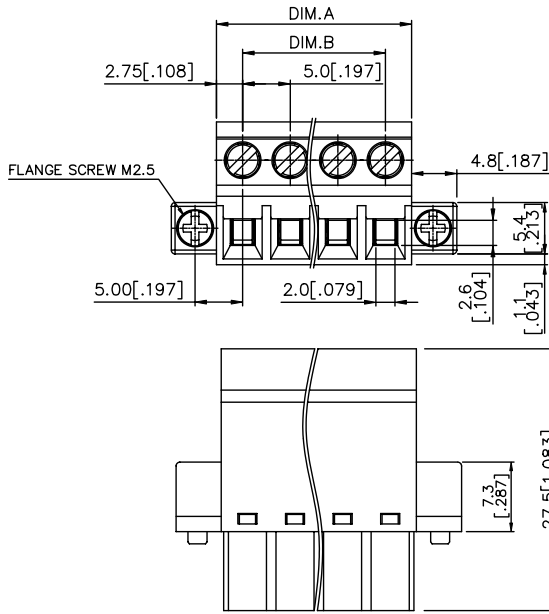


1 | 2

3

4

PRODUCT NUMBER	SERIES NAME	PITCH
20020012-GXXXXXXLF	03-500	5.00 mm



POLE	X		2	3	4	5	6	7	8	
DIM.A	X		10.50[.413]	15.50[.610]	20.50[.807]	25.50[1.004]	30.50[1.201]	35.50[1.398]	40.50[1.595]	
DIM.B	X		5.0[.197]	10.0[.394]	15.0[.590]	20.0[.787]	25.0[.984]	30.0[1.181]	35.0[1.377]	
Tol.	X		±0.15[.006]				±0.25[.010]			
POLE	9	10	11	12	13	14	15	16		
DIM.A	45.5[1.792]	50.5[1.989]	55.5[2.186]	60.5[2.383]	65.5[2.580]	70.5[2.777]	75.5[2.974]	80.5[3.171]		
DIM.B	40.0[1.574]	45.0[1.771]	50.0[1.968]	55.0[2.165]	60.0[2.362]	65.0[2.559]	70.0[2.755]	75.0[2.952]		
Tol.	±0.25[.010]				±0.30[.012]					
POLE	17	18	19	20	21	22	23	24		
DIM.A	85.5[3.368]	90.5[3.565]	95.5[3.762]	100.5[3.959]	105.5[4.156]	110.5[4.353]	115.5[4.550]	120.5[4.747]		
DIM.B	80.0[3.149]	85.0[3.346]	90.0[3.543]	95.0[3.740]	100.0[3.937]	105.0[4.133]	110.0[4.330]	115.0[4.527]		
Tol.	±0.30[.012]				±0.40[.016]					

mat'l. code	surface ASME Y14.5	tolerance ASME Y14.5	projection	product family
ltr	ecn	no	dr	date
E				
	tolerances unless otherwise specified			title
	angles	X.±0.5	MM	TERMINAL BLOCK
	X'±1'	X.X±0.3	[INCH]	PLUGGABLE, PLUG, SIGNAL, W/FLANGE
		X.XX±0.1	scale	FRONT SCREW
	dr	WENDY CHEN	051810	FCI
	enr	JASON HSU	051810	dwg no
	chr	GARY HSIEH	051810	20020012
	appd	JOSEPH HSIA	051810	sheet 4 of 5
sheet index	revision			size
	sheet			A4
				type
				CUSTOMER Drawing

form: A4mmXLC

1

2

PDM: Rev:E 3 | STATUS:Released Printed: Jan 26, 2011 4



Copyright FCI



FCIconnect.com

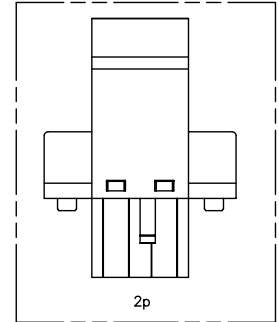
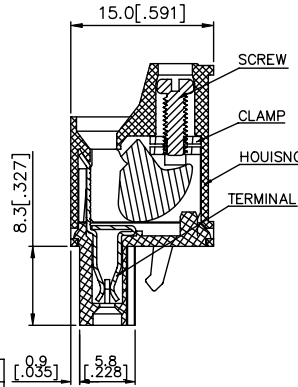
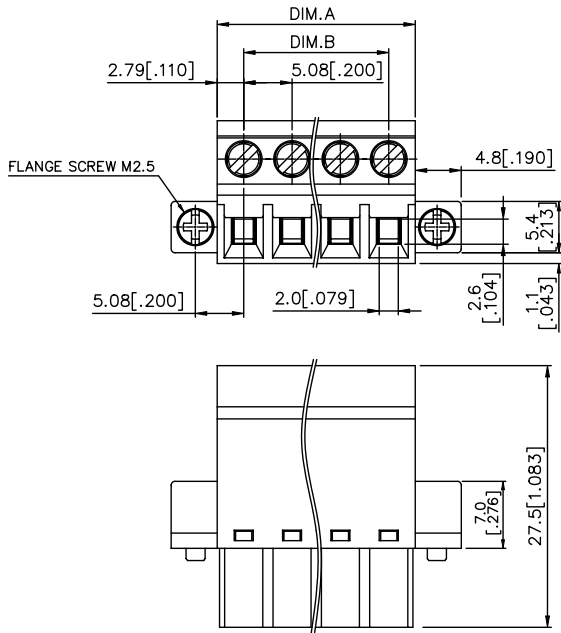


1 | 2

3 |

4

PRODUCT NUMBER	SERIES NAME	PITCH
20020012-HXXXXXLF	03-508	5.08 mm



POLE	2		3	4	5	6	7	8	
DIM.A	10.66[.420]	15.74[.620]	20.82[.820]	25.9[1.020]	30.98[1.220]	36.06[1.420]	41.14[1.620]		
DIM.B	5.08[0.200]	10.16[0.400]	15.24[0.600]	20.32[.800]	25.4[1.000]	30.48[1.200]	35.56[1.400]		
Tol.	±0.15[.006]							±0.25[.010]	
POLE	9	10	11	12	13	14	15	16	
DIM.A	46.22[1.820]	51.30[2.020]	56.38[2.220]	61.46[2.420]	66.54[2.620]	71.62[2.820]	76.70[3.020]	81.78[3.220]	
DIM.B	40.64[1.600]	45.72[1.800]	50.8[2.000]	55.88[2.200]	60.96[2.400]	66.04[2.600]	71.12[2.800]	76.2[3.000]	
Tol.	±0.25[.010]				±0.30[.012]				
POLE	17	18	19	20	21	22	23	24	
DIM.A	86.86[3.420]	91.94[3.620]	97.02[3.820]	102.10[4.020]	107.18[4.220]	112.26[4.420]	117.34[4.620]	122.42[4.820]	
DIM.B	81.28[3.200]	86.36[3.400]	91.44[3.600]	96.52[3.800]	101.6[4.000]	106.68[4.200]	111.76[4.400]	116.84[4.600]	
Tol.	±0.30[.012]				±0.40[.016]				

mat'l. code	surface ASME Y14.5	tolerance ASME Y14.5	projection	product family
ltr ecn no dr date	tolerances unless otherwise specified	angles	MM [INCH]	TERMINAL BLOCK
E		X±0.5	scale	title
		X.X±0.3		TERMINAL BLOCK
		X.XX±0.1		PLUGGABLE, PLUG, SIGNAL, W/FLANGE
	dr WENDY CHEN 051810			FRONT SCREW
	enr JASON HSU 051810			dwg no
	chr GARY HSIEH 051810			sheet 5 of 5
	appd JOSEPH HSIA 051810			size
sheet index	revision sheet			20020012
				A4
				type
				CUSTOMER Drawing

form: A4mmXlc

1 |

2 |

PDM: Rev:E 3 | STATUS:Released Printed: Jan 26, 2011 4