



Copyright FCI



FCIconnect.com



1 | 2

3 |

4

PRODUCT NUMBER  
20020009-XXXXXXLF

20020009- [ ] [ ] [ ] [ ] [ ] [ ] [ ] LF

PITCH  
C : 3.50 mm  
D : 3.81 mm  
G : 5.00 mm  
H : 5.08 mm

POLES  
02: 2 POLES  
03: 3 POLES  
04: 4 POLES  
:  
:  
24: 24 POLES

LF : DENOTES ROHS COMPATIBLE

1 : STANDARD PRODUCT  
W/ BOX PACKING

SCREW CODE

CODE	SCREW TYPE	AVAILABILITY
A	-/+	ON REQUEST ONLY
B	-	STANDARD

ALL FLANGE SCREWS ARE ONLY AVAILABLE IN +/- COMBINATION SCREW TYPES.

HOUSING CODE

CODE	COLOR	AVAILABILITY
1	GREEN(RAL 6018/T)	STANDARD
2	BLACK	ON REQUEST ONLY
3	GREY(RAL 7004/P)	ON REQUEST ONLY
4	BLUE(RAL 5015/A)	ON REQUEST ONLY

PROPERTY TABLE					
FCI SERIES NAME	02-350	02-381	02-500	02-508	
PITCH (mm)	3.50	3.81	5.00	5.08	
VOLTAGE RATING (VAC)	300	300	300	300	
CURRENT RATING (A)	cULus 8	8	12	12	
	VDE 10	10	NA	NA	
APPLICABLE WIRE RANGE (AWG)	1-WIRE 16~28	16~28	12~24	12~24	
	2-WIRE 20	20	18	18	
WIRE CROSS SECTION (mm <sup>2</sup> )	SOLID	1-WIRE 1.5	1.5	2.5	2.5
		2-WIRE 0.5	0.5	1.0	1.0
	STRANDED	1-WIRE 1.5	1.5	2.5	2.5
		2-WIRE 0.75	0.75	1.5	1.5
OPENING CONTACT HOUSING(mm <sup>2</sup> )	2.8x1.7	2.8x1.7	2.6x3.3	2.6x3.3	
WIRE STRIP LENGTH(mm)	6~7	6~7	6~7	6~7	
TORQUE +/-10% (N-m/Lb-in)	0.19/1.7	0.19/1.7	0.4/3.5	0.4/3.5	
WITHSTANDING VOLTAGE (kV)	cULus 1.6	1.6	1.6	1.6	
	VDE 2.5	2.5	NA	NA	
OPERATING TEMP. (°C)	-40~+115	-40~+115	-40~+115	-40~+115	
POLES AVAILABLE	02~24	02~24	02~24	02~24	
SAFETY CERTIFICATE					

NOTES:

- MATERIALS
  - HOUSING: THERMALPLASTIC RESIN, UL 94V-0 RATED.
  - SCREW AND FLANGE SCREW: STEEL, ZINC PLATED.
  - CLAMP: COPPER ALLOY, NICKEL PLATED.
  - TERMINAL: COPPER ALLOY, TIN PLATED.
- PRODUCT SPECIFICATION REFER TO FCI GS-12-625.
- BOXED PACKAGING.
  - DETAILED PRODUCT PACKING SPECIFICATION REFER TO FCI GS-14-1394.
- FCI, SAFETY CERTIFICATE LOGO AND SERIES NAME TO BE SHOWN ON PRODUCT SURFACE.
- THE PRODUCTS WHERE THE PART NUMBER END IN "LF" MEET THE EUROPEAN UNION DIRECTIVE AND OTHER COUNTRY REGULATIONS AS DESCRIBED IN GS-22-008.

mat'l. code	surface ASME Y14.5	tolerance ASME Y14.5	projection	product family
ltr	ecn no	dr	d date	tolerances unless otherwise specified
A	T10-062	VL	050710	X.±0.5
B	T10-027	VL	080910	X.X±0.3
C	T10-0140	WL	090310	X'±1'
D	T10-0155	WL	093010	X.XX±0.1
E	T10-0187	WL	121410	
F	T11-0013	WL	040811	
		appd	JOSEPH HSIA	042310

sheet index	revision sheet	F 1	F 2	F 3	F 4	F 5

title	dwg no	sheet 1 of 5	size
TERMINAL BLOCK PLUGGABLE PLUG, SIGNAL, ENTRYSIDE HOOK W/FLANGE	20020009		A4
type	CUSTOMER	Drawing	

form: A4mmXLc

1 |

2 |

PDM: Rev:F 3 | STATUS Released Printed: Apr 21, 2011 4



Copyright FCI



FCIconnect.com

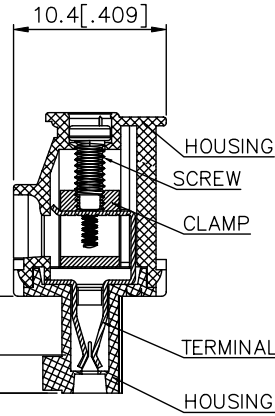
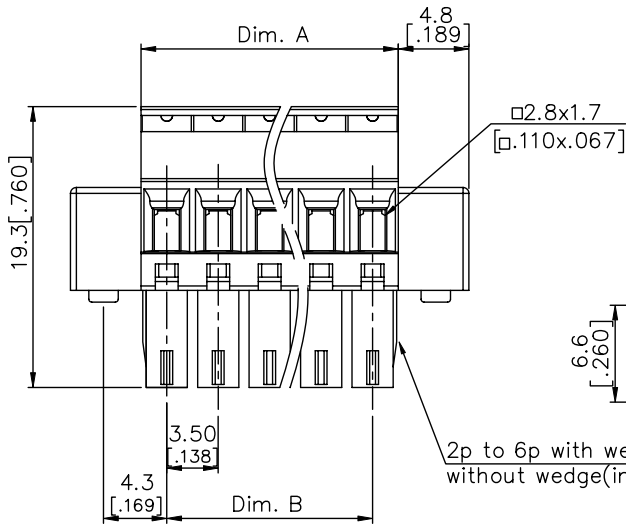
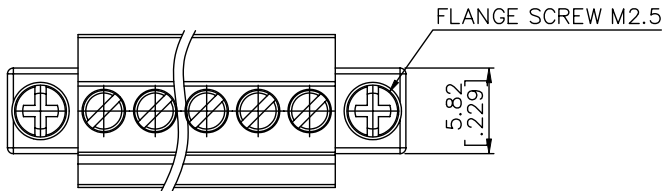


1 | 2

3

4

PRODUCT NUMBER	SERIES NAME	PITCH
20020009-CXXXXXL	02-350	3.50 mm



N = Number of poles

Dim A	$N \times 3.5 [0.138]$
Dim B	$(N-1) \times 3.5 [0.138]$

Poles	DIM.A	DIM.B
2p-6p	$\pm 0.15 [0.006]$	
7p-12p	$\pm 0.20 [0.008]$	
13p-16p	$\pm 0.25 [0.100]$	
17p-24p	$\pm 0.30 [0.012]$	

mat'l. code	surface ASME Y14.5	tolerance ASME Y14.5	projection	product family
ltr	ecn	no	dr	date
F				
	angles	tolerances unless otherwise specified	MM	title
	X $\pm$ 1'	X.X $\pm$ 0.5	[INCH]	TERMINAL BLOCK
		X.X $\pm$ 0.3	scale	PLUGGABLE PLUG, SIGNAL, ENTRYSIDE HOOK
		X.XX $\pm$ 0.1		W/FLANGE
	dr	WENDY CHEN	042310	dwg no
	enr	JASON HSU	042310	sheet 2 of 5
	chr	GARY HSIEH	042310	size
	appd	JOSEPH HSIA	042310	A4
sheet index	revision sheet			type
				CUSTOMER Drawing

form: A4mmXlc

1

2

PDM: Rev:F 3 | STATUS Released Printed: Apr 21, 2011 4





Copyright FCI



FCIconnect.com

1 2

3

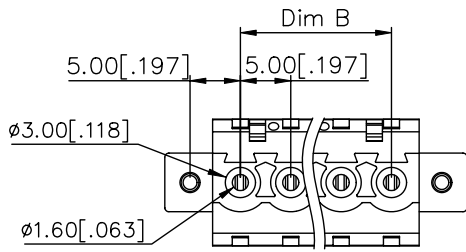
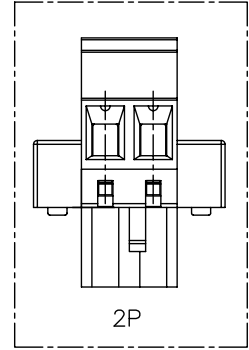
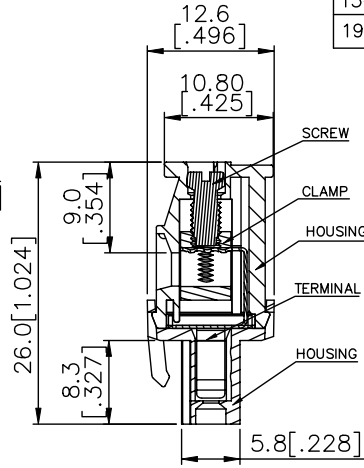
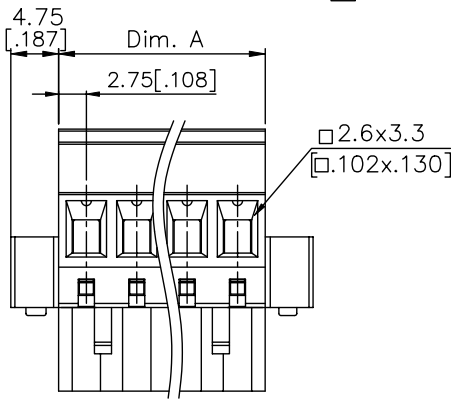
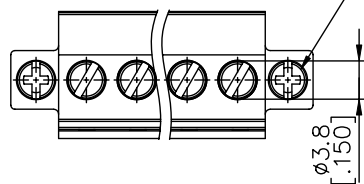
4

PRODUCT NUMBER	SERIES NAME	PITCH
20020009-GXXXXXL	02-500	5.00 mm

FLANGE SCREW M2.5

N = Number of poles  
 Dim A =  $N \times 5.0 [ .197 ] + 0.5 [ .020 ]$   
 Dim B =  $(N-1) \times 5.0 [ .197 ]$

Poles	Dim A	Dim B
2-6p	$\pm 0.15 [ .006 ]$	$\pm 0.15 [ .006 ]$
7-12p	$\pm 0.25 [ .010 ]$	$\pm 0.25 [ .010 ]$
13-18p	$\pm 0.30 [ .012 ]$	$\pm 0.30 [ .012 ]$
19-24p	$\pm 0.40 [ .016 ]$	$\pm 0.40 [ .016 ]$



mat'l. code	surface ASME Y14.5	tolerance ASME Y14.5	projection	product family
ltr	ecn no	dr	date	TERMINAL BLOCK
F				title
				TERMINAL BLOCK
				PLUGGABLE PLUG, SIGNAL, ENTRYSIDE HOOK
				W/FLANGE
				dwg no
				20020009
				sheet 4 of 5
				size
				A4
				type
				CUSTOMER Drawing
sheet index	revision sheet			

form: A4mmXLc

1

2

PDM: Rev:F 3 | STATUS Released Printed: Apr 21, 2011 4



Copyright FCI



FCIconnect.com



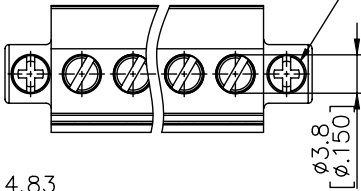
1 | 2

3 |

4

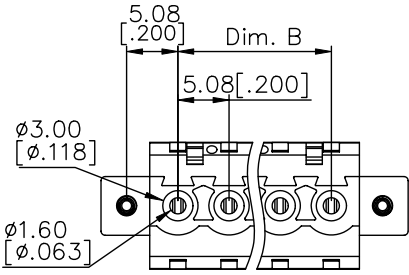
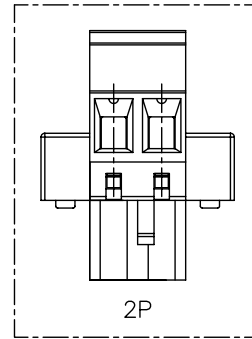
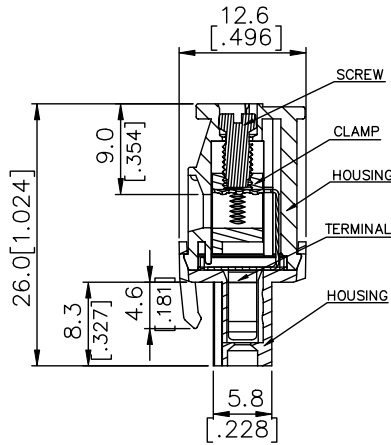
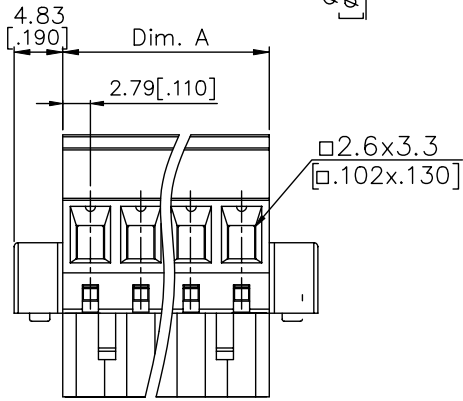
PRODUCT NUMBER	SERIES NAME	PITCH
20020009-HXXXXXLF	02-508	5.08 mm

FLANGE SCREW M2.5



N = Number of poles  
 Dim A =  $N \times 5.08 [0.200] + 0.5 [0.020]$   
 Dim B =  $(N - 1) \times 5.08 [0.200]$

Poles	Dim A	Dim B
2-6p	$\pm 0.15 [0.006]$	$\pm 0.15 [0.006]$
7-12p	$\pm 0.20 [0.008]$	$\pm 0.20 [0.008]$
13-18p	$\pm 0.30 [0.012]$	$\pm 0.30 [0.012]$
19-24p	$\pm 0.40 [0.016]$	$\pm 0.40 [0.016]$



mat'l. code	surface ASME Y14.5	tolerance ASME Y14.5	projection	product family	TERMINAL BLOCK
ltr	ecn	no	dr	date	title
F					TERMINAL BLOCK PLUGGABLE PLUG, SIGNAL, ENTRYSIDE HOOK W/FLANGE
					dwg no
					20020009
					sheet 5 of 5
					size
					A4
					type
					CUSTOMER Drawing
sheet index	revision	sheet			

form: A4mmXLC

1 |

2 |

PDM: Rev:F 3 | STATUS Released Printed: Apr 21, 2011 4