



Copyright FCI.



FCIconnect.com



1 | 2

3 |

4

PRODUCT NUMBER
20020002-XXXXXXLF

20020002- [] [] [] [] [] 0 [] LF

PITCH

G: 5.00 mm
H: 5.08 mm

POLES

02: 2 poles
03: 3 poles
04: 4 poles

24: 24 poles

LF : DENOTED RoHS COMPATIBLE

1 : STANDARD PRODUCT
W/ BOX PACKING

SCREW CODE

CODE	SCREW TYPE	AVAILABILITY
A	-/+	ON REQUEST ONLY
B	-	STANDARD

ALL FLANGE SCREWS ARE ONLY AVAILABLE IN +/- COMBINATION SCREW TYPES.

PROPERTY TABLE			
FCI SERIES NAME	01-500	01-508	
PITCH (mm)	5.00	5.08	
VOLTAGE RATING (VAC)	300	300	
CURRENT RATING (A)	12	12	
APPLICABLE WIRE RANGE (AWG)	1-WIRE	12~24	
	2-WIRE	18	
WIRE CROSS SECTION (mm ²)	SOLID	1-WIRE	2.5
		2-WIRE	1.0
	STRANDED	1-WIRE	2.5
		2-WIRE	1.5
OPENING CONTACT HOUSING(mm ²)	2.6x3.2	2.6x3.2	
WIRE STRIP LENGTH(mm)	7~8	7~8	
TORQUE +/-10% (N-m/Lb-in)	0.57/5.0	0.57/5.0	
SCREW	M3x0.5	M3x0.5	
WITHSTANDING VOLTAGE (kV)	1.6	1.6	
OPERATING TEMP. (°C)	-40~+115	-40~+115	
POLES AVAILABLE	02~24	02~24	
SAFETY CERTIFICATE			

HOUSING CODE

CODE	COLOR	AVAILABILITY
1	GREEN(RAL 6018/T)	STANDARD
2	BLACK	ON REQUEST ONLY
3	GREY(RAL 7004/P)	ON REQUEST ONLY
4	BLUE(RAL 5015/A)	ON REQUEST ONLY

NOTES:

- MATERIALS
 - 1-1 HOUSING: THERMALPLASTIC RESIN, UL 94V-0 RATED.
 - 1-2 SCREW: STEEL, ZINC PLATED.
 - 1-3 CLAMP: COPPER ALLOY, NICKEL PLATED.
 - 1-4 TERMINAL: COPPER ALLOY, TIN PLATED.
- PRODUCT SPECIFICATION REFER TO FCI GS-12-625.
- PRODUCT PACKING SPECIFICATION REFER TO FCI GS-14-1394.
- FCI, SAFETY CERTIFICATE LOGO AND SERIES NAME TO BE SHOWN ON PRODUCT SURFACE.
- THE PRODUCTS WHERE THE PART NUMBER END IN "LF" MEET THE EUROPEAN UNION DIRECTIVE AND OTHER COUNTRY REGULATIONS AS DESCRIBED IN GS-22-008.

mat'l. code		surface ASME Y14.5	tolerance ASME Y14.5	projection	product family
ltr	ecn no dr date	tolerances unless otherwise specified			TERMINAL BLOCK
A	T10-0082 WL 080510	angles	X.±0.5	MM	TERMINAL BLOCK PLUGGABLE, PLUG, SINGAL, W/FLANGE DOWNSIDE CONTACT
B	T10-0158 WL 100410	X'±1'	X.X±0.3	[INCH]	
		dr	WENDY CHEN 051410	scale	dwg no
		enrg	JASON HSU 051410		sheet 1 of 3 size
		chr	GARY HSIEH 051410		20020002 A4
		appd	JOSEPH HSIA 051410		type
sheet index	revision sheet	B	B	B	CUSTOMER Drawing

form: A4mmXLc

1 |

2 |

PDM: Rev:B 3 | STATUS Released Printed: Oct 08, 2010 4



Copyright FCI.



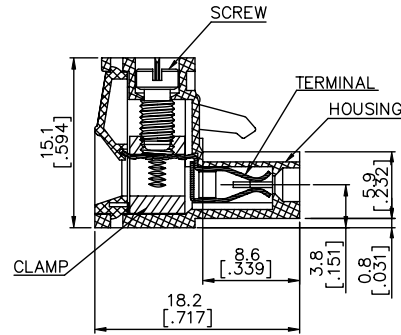
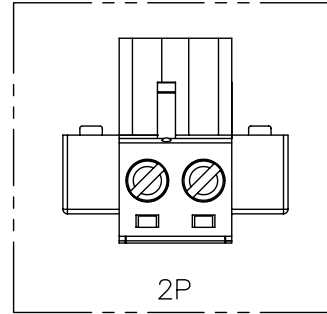
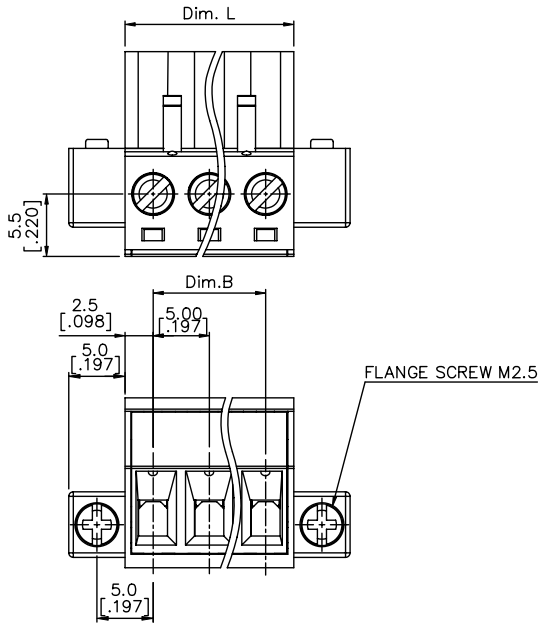
FCIconnect.com

1 | 2

3 |

4

PRODUCT NUMBER	SERIES NAME	PITCH
20020002-GXXXXXXLF	01-500	5.00 mm



POLE		2	3	4	5	6	7	8
DIM.L		10.0[.394]	15.0[.590]	20.0[.787]	25.0[.984]	30.0[1.181]	35.0[1.377]	40.0[1.574]
DIM.B		5.0[.196]	10.0[.394]	15.0[.590]	20.0[.787]	25.0[.984]	30.0[1.181]	35.0[1.377]
Tol.		±0.15[.006]						±0.25[.010]
POLE	9	10	11	12	13	14	15	16
DIM.L	45.0[1.771]	50.0[1.968]	55.0[2.165]	60.0[2.362]	65.0[2.559]	70.0[2.755]	75.0[2.952]	80.0[3.149]
DIM.B	40.0[1.574]	45.0[1.771]	50.0[1.968]	55.0[2.165]	60.0[2.362]	65.0[2.559]	70.0[2.755]	75.0[2.952]
Tol.	±0.25[.010]				±0.30[.012]			
POLE	17	18	19	20	21	22	23	24
DIM.L	85.0[3.346]	90.0[3.543]	95.0[3.74]	100.0[3.937]	105.0[4.133]	110.0[4.330]	115.0[4.527]	120.0[4.724]
DIM.B	80.0[3.149]	85.0[3.346]	90.0[3.543]	95.0[3.74]	100.0[3.937]	105.0[4.133]	110.0[4.330]	115.0[4.527]
Tol.	±0.30[.012]			±0.40[.016]				

mat'l. code	surface ASME Y14.5	tolerance ASME Y14.5	projection	product family
itr	ecn	no	dr	date
B				
tolerances unless otherwise specified				title
angles	MM	INCH	scale	TERMINAL BLOCK
X±.5	X.X±0.3	X.XX±0.1		PLUGGABLE, PLUG, SINGAL, W/FLANGE
X±.1	X.XX±0.1			DOWNSIDE CONTACT
dr	WENDY CHEN	051410		dwg no
enr	JASON HSU	051410		sheet 2 of 3
chr	GARY HSIEH	051410		size
appd	JOSEPH HSIA	051410		20020002
sheet index	revision sheet			type
				CUSTOMER Drawing

form: A4mmXLc

1 |

2

PDM: Rev:B 3 | STATUS Released Printed: Oct 08, 2010 4



Copyright FCI.



FCIconnect.com

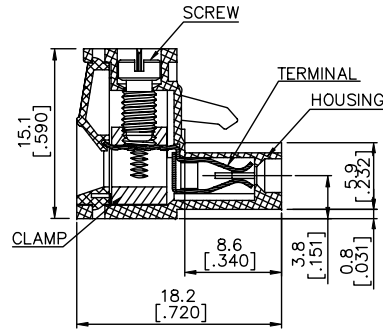
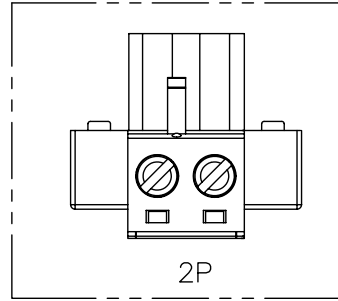
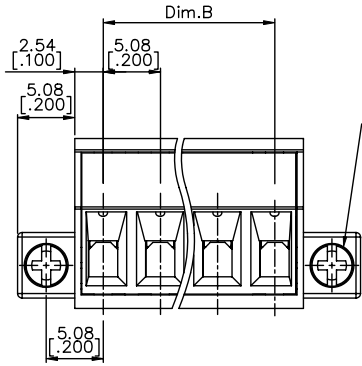
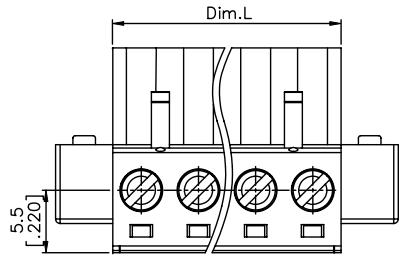


1 | 2

3 |

4

PRODUCT NUMBER	SERIES NAME	PITCH
20020002-HXXXXXXLF	01-508	5.08 mm



POLE		2	3	4	5	6	7	8
DIM.L		10.16[.400]	15.24[.600]	20.32[.800]	25.4[1.00]	30.48[1.20]	35.56[1.40]	40.64[1.60]
DIM.B		5.08[.200]	10.16[.400]	15.24[.600]	20.32[.800]	25.4[1.00]	30.48[1.20]	35.56[1.40]
Tol.		±0.15[.006]						±0.25[.010]
POLE	9	10	11	12	13	14	15	16
DIM.L	45.72[1.80]	50.8[2.00]	55.88[2.20]	60.96[2.40]	66.04[2.60]	71.12[2.80]	76.2[3.00]	81.28[3.20]
DIM.B	40.64[1.60]	45.72[1.80]	50.8[2.00]	55.88[2.20]	60.96[2.40]	66.04[2.60]	71.12[2.80]	76.2[3.00]
Tol.	±0.25[.010]				±0.30[.012]			
POLE	17	18	19	20	21	22	23	24
DIM.L	86.36[3.40]	91.44[3.60]	96.52[3.80]	101.6[4.00]	106.68[4.20]	111.76[4.40]	116.84[4.60]	121.92[4.80]
DIM.B	81.28[3.20]	86.36[3.40]	91.44[3.60]	96.52[3.80]	101.6[4.00]	106.68[4.20]	111.76[4.40]	116.84[4.60]
Tol.	±0.30[.012]				±0.40[.016]			

mat'l. code	surface ASME Y14.5	tolerance ASME Y14.5	projection	product family
ltr	ecn	no	dr	date
B				
tolerances unless otherwise specified				title
angles	X±0.5	MM	TERMINAL BLOCK	
±1°	X.X±0.3	[INCH]	PLUGGABLE, PLUG, SINGAL, W/FLANGE	
X'±1'	X.XX±0.1	scale	DOWNSIDE CONTACT	
dr	WENDY CHEN	051410	dwg no	sheet 3 of 3
enr	JASON HSU	051410	20020002	size A4
chr	GARY HSIEH	051410	type	CUSTOMER Drawing
appd	JOSEPH HSIA	051410		
sheet index	revision sheet			

form: A4mmXLc

1 |

2 |

PDM: Rev:B 3 | STATUS Released Printed: Oct 08, 2010 4