



Copyright FCI



FCIconnect.com



1 | 2

3 |

4

PRODUCT NUMBER  
20020000-XXXXXXLF

20020000- [ ] [ ] [ ] [ ] [ ] 0 [ ] LF

PITCH  
C: 3.50 mm  
D: 3.81 mm

POLES  
02: 2 poles  
03: 3 poles  
04: 4 poles  
24: 24 poles

LF : DENOTED RoHS COMPATIBLE  
1 : STANDARD PRODUCT  
W/ BOX PACKING

SCREW CODE

CODE	SCREW TYPE	AVAILABILITY
A	-/+	ON REQUEST ONLY
B	-	STANDARD

ALL FLANGE SCREWS ARE ONLY AVAILABLE IN +/- COMBINATION SCREW TYPES.

PROPERTY TABLE			
FCI SERIES NAME	01-350	01-381	
PITCH (mm)	3.50	3.81	
VOLTAGE RATING (VAC)	300	300	
CURRENT RATING (A)	cULus	10	
	VDE	10.5	
APPLICABLE WIRE RANGE (AWG)	1-WIRE	16~26	
	2-WIRE	20	
WIRE CROSS SECTION (mm <sup>2</sup> )	SOLID	1-WIRE	1.5
		2-WIRE	0.5
	STRANDED	1-WIRE	1.5
		2-WIRE	0.75
OPENING CONTACT HOUSING(mm <sup>2</sup> )	1.6x2.5	1.6x2.5	
WIRE STRIP LENGTH(mm)	6~7	6~7	
TORQUE +/-10% (N-m/Lb-in)	0.34/3.0	0.34/3.0	
SCREW	M2x0.4	M2x0.4	
WITHSTANDING VOLTAGE (kV)	cULus	1.6	
	VDE	2.5	
OPERATING TEMP. (°C)	-40~+115	-40~+115	
POLES AVAILABLE	02~24	02~24	
SAFETY CERTIFICATE			

HOUSING CODE

CODE	COLOR	AVAILABILITY
1	GREEN(RAL 6018/T)	STANDARD
2	BLACK	ON REQUEST ONLY
3	GREY(RAL 7004/P)	ON REQUEST ONLY
4	BLUE(RAL 5015/A)	ON REQUEST ONLY

NOTES:

- MATERIALS
  - 1-1 HOUSING: THERMALPLASTIC RESIN, UL 94V-0 RATED.
  - 1-2 SCREW: STEEL, ZINC PLATED.
  - 1-3 CLAMP: COPPER ALLOY, NICKEL PLATED.
  - 1-4 TERMINAL: COPPER ALLOY, TIN PLATED.
- PRODUCT SPECIFICATION REFER TO FCI GS-12-625.
- PRODUCT PACKING SPECIFICATION REFER TO FCI GS-14-1394.
- FCI, SAFETY CERTIFICATE LOGO AND SERIES NAME TO BE SHOWN ON PRODUCT SURFACE.
- THE PRODUCTS WHERE THE PART NUMBER END IN "LF" MEET THE EUROPEAN UNION DIRECTIVE AND OTHER COUNTRY REGULATIONS AS DESCRIBED IN GS-22-008.

mat'l. code		surface ASME Y14.5	tolerance ASME Y14.5	projection	product family
ltr	ecn no dr	tolerances unless otherwise specified			TERMINAL BLOCK
A	T10-0062 WL	050710	X.±0.5	MM	TERMINAL BLOCK PLUGGABLE, PLUG, SIGNAL, W/FLANGE CONTACT UP SIDE
B	T10-0081 WL	061710	X.X±0.3	INCH	
C	T10-0127 WL	080910	X'±1'	scale	
D	T10-0155 WL	093010			
E	T11-0013 WL	040811			sheet 1 of 3 size A4
sheet index		revision sheet	E 1 2 3		20020000
					type CUSTOMER Drawing

form: A4mmXLc

1 |

2 |

PDM: Rev:E 3 | STATUS Released Printed: Apr 21, 2011 4



Copyright FCI



FCIconnect.com

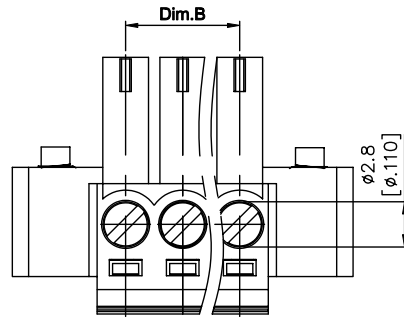


1 | 2

3

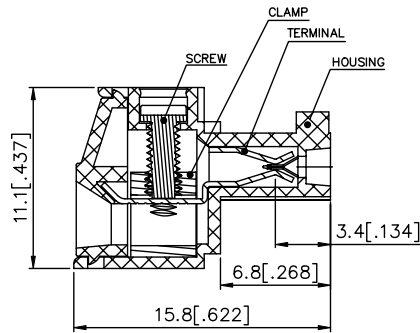
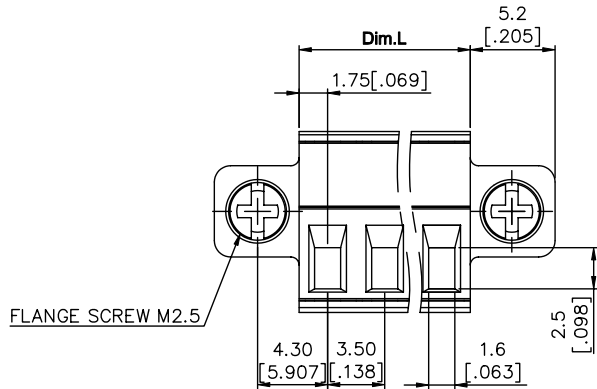
4

PRODUCT NUMBER	SERIES NAME	PITCH
20020000-CXXXXXLF	01-350	3.50 mm



Dim.L = N x 3.5 [.138]  
 Dim.B = (N-1) x 3.5 [.138]  
 N = number of poles

Poles	DIM.L	DIM.B
2p-6p	$\pm 0.15$ [.006]	
7p-12p	$\pm 0.20$ [.008]	
13p-18p	$\pm 0.25$ [.010]	
19p-24p	$\pm 0.30$ [.012]	



FLANGE SCREW M2.5

mat'l. code	surface ASME Y14.5	tolerance ASME Y14.5	projection	product family	TERMINAL BLOCK
ltr	ecn	no	dr	date	tolerances unless otherwise specified
E					angles
					X. $\pm 0.5$
					X.X $\pm 0.3$
					X.XX $\pm 0.1$
			dr	WENDY CHEN	042310
			enr	JASON HSU	042310
			chr	GARY HSIEH	042310
			appd	JOSEPH HSIA	042310
sheet index	revision	sheet			

title	TERMINAL BLOCK PLUGGABLE, PLUG, SIGNAL, W/FLANGE CONTACT UP SIDE
dwg no	20020000
sheet 2 of 3	size A4
type	CUSTOMER Drawing

form: A4mmXLc

1

2

PDM: Rev:E 3 | STATUS Released Printed: Apr 21, 2011 4

