



Copyright FCI



FCIconnect.com

1 | 2

3 |

4

PRODUCT NUMBER
20020131-XXXXXXLF

20020131 - [] [] [] [] A 0 [] L F

PITCH

C: 3.50 mm
D: 3.81 mm
G: 5.00 mm
H: 5.08 mm

POLES

02: 2 POLES
03: 3 POLES
04: 4 POLES
24: 24 POLES

LF : DENOTED RoHS COMPATIBLE

1 : STANDARD PRODUCT
W/ BOX PACKING

PROPERTY TABLE				
FCI SERIES NAME	30-350	30-381	30-500	30-508
PITCH (mm)	3.50	3.81	5.00	5.08
VOLTAGE RATING (VAC)	300	300	300	300
CURRENT RATING (A)	cULus	8	8	15
	VDE	10	10	NA
WITHSTANDING VOLTAGE (kV)	cULus	1.6	1.6	1.6
	VDE	2.5	2.5	NA
OPERATING TEMP. (°C)	-40~+115	-40~+115	-40~+115	-40~+115
SOLDERING TEMP. (°C)	250±10	250±10	250±10	250±10
	(5 sec.)	(5 sec.)	(5 sec.)	(5 sec.)
POLES AVAILABLE	02~24	02~24	02~24	02~24
SAFETY CERTIFICATE				

HOUSING CODE		
CODE	COLOR	AVAILABILITY
1	GREEN(RAL 6018/T)	STANDARD
2	BLACK	ON REQUEST ONLY
3	GREY(RAL 7004/P)	ON REQUEST ONLY
4	BLUE(RAL 5015/A)	ON REQUEST ONLY

- NOTES:
- MATERIALS
- 1-1 HOUSING: THERMALPLASTIC RESIN, UL 94V-0 RATED.
 - 1-2 TERMINAL: COPPER ALLOY, TIN PLATED.
 2. PRODUCTION SPECIFICATION REFER TO FCI GS-12-625.
 3. BOXED PACKAGING.
 - DETAILED PRODUCT PACKING SPECIFICATION REFER TO FCI GS-14-1394.
 4. FCI, SAFETY CERTIFICATE LOGO AND SERIES NAME TO BE SHOWN ON PRODUCT SURFACE.
 5. THE PRODUCTS WHERE THE PART NUMBER END IN "LF" MEET THE EUROPEAN UNION DIRECTIVE AND OTHER COUNTRY REGULATIONS AS DESCRIBED IN GS-22-008.
 6. RECOMENDED SOLDERING PROCESS BY WAVE SOLDER.

mat'l. code	surface ASME Y14.5	tolerance ASME Y14.5	projection	product family					
ltr	ecn no	dr	date	TERMINAL BLOCK					
A	T10-0099	WL	070110	title TERMINAL BLOCK PLUGGABLE SIGNAL, SOCKET W/FLANGE 45° ANGLE dwg no 20020131 sheet 1 of 5 size A4 type CUSTOMER Drawing					
B	T10-0161	WL	101210						
C	T10-0187	WL	121410						
D	T11-0015	WL	030211						
E	T11-0013	WL	040811						
		dr	WENDY CHEN	062310					
		enr	JASON HSU	062310					
		chr	GARY HSIEH	062310					
		appd	JOSEPH HSIA	062310					
sheet index	revision sheet	E	E	E	E	E	E	E	E
		1	2	3	4	5			

form: A4mmXLc

1 |

2 |

PDM: Rev:E 3 | STATUS Released Printed: Apr 21, 2011 4



Copyright FCI



FCIconnect.com

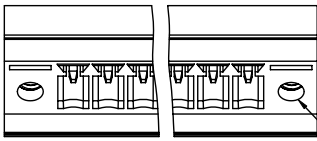


1 | 2

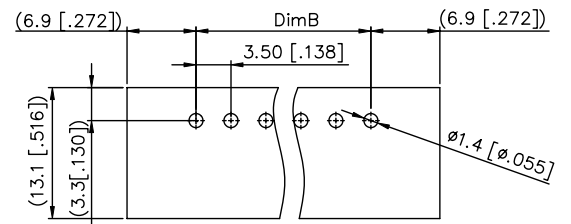
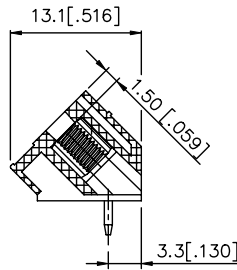
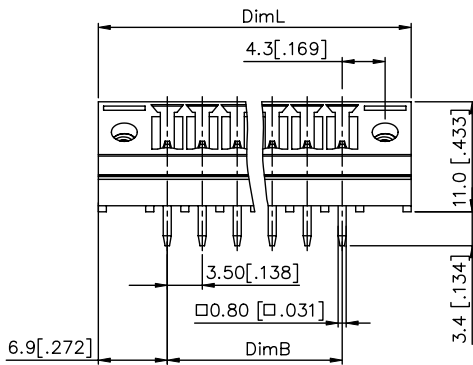
3

4

PRODUCT NUMBER	SERIES NAME	PITCH
20020131-CXXXXXL	30-350	3.50 mm



FLANGE NUT M2.5



P.C.B LAYOUT

POLE	2	3	4	5	6	7	8	
DIM.L	17.3[.681]	20.8[.818]	24.3[.956]	27.8[1.094]	31.3[1.2322]	34.8[1.370]	38.3[1.507]	
DIM.B	3.50[.138]	7.00[.276]	10.50[.413]	14.00[.551]	17.50[.689]	21.00[.827]	24.50[.965]	
Tol.	±0.10[.004]			±0.15[.006]			±0.20[.008]	
POLE	9	10	11	12	13	14	15	16
DIM.L	41.8[1.645]	45.3[1.783]	48.8[1.921]	52.3[2.059]	55.8[2.196]	59.3[2.334]	62.8[2.472]	66.3[2.610]
DIM.B	28.00[1.102]	31.50[1.240]	35.00[1.378]	38.50[1.516]	42.00[1.654]	45.5[1.791]	49.0[1.929]	52.50[2.067]
Tol.	±0.20[.008]				±0.25[.010]			
POLE	17	18	19	20	21	22	23	24
DIM.L	69.8[2.748]	73.3[2.885]	76.8[3.023]	80.3[3.161]	83.8[3.299]	87.3[3.437]	90.8[3.574]	94.3[3.712]
DIM.B	56.00[2.205]	59.50[2.342]	63.00[2.480]	66.50[2.618]	70.00[2.756]	73.50[2.894]	77.00[3.031]	80.50[3.169]
Tol.	±0.25[.010]				±0.30[.012]			

mat'l. code	surface ASME Y14.5	tolerance ASME Y14.5	projection	product family
tr	ecn	no	dr	date
E	tolerances unless otherwise specified			title
	angles	X.±0.5	MM	TERMINAL BLOCK
	±1°	X.X±0.3	[INCH]	PLUGGABLE SIGNAL, SOCKET W/FLANGE
		X.XX±0.1	scale	45° ANGLE
	dr	WENDY CHEN	062310	dwg no
	enr	JASON HSU	062310	sheet 2 of 5
	chr	GARY HSIEH	062310	size
	appd	JOSEPH HSIA	062310	20020131
sheet index	revision sheet			type
				CUSTOMER Drawing

form: A4mmXLc

1

2

PDM: Rev:E 3 | STATUS Released Printed: Apr 21, 2011 4



Copyright FCI



FCIconnect.com

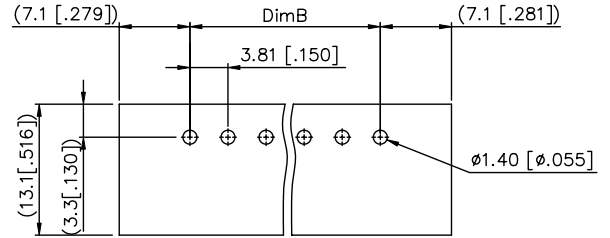
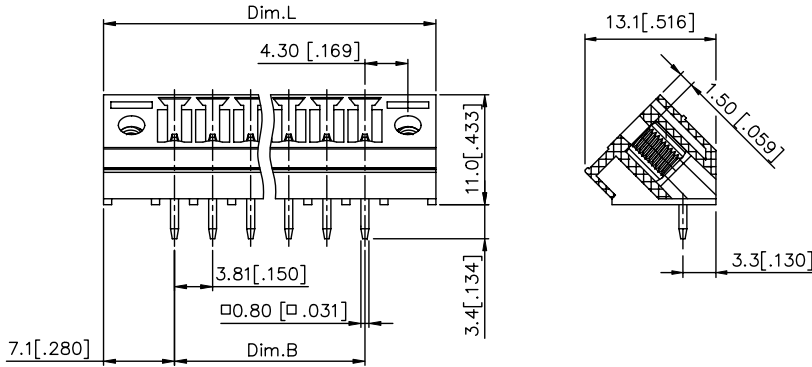
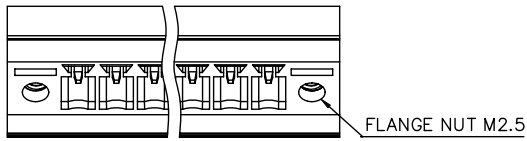


1 | 2

3 |

4

PRODUCT NUMBER	SERIES NAME	PITCH
20020131-DXXXXXLF	30-381	3.81 mm



P.C.B LAYOUT

POLE	2	3	4	5	6	7	8	
Dim.L	18.01[.710]	21.82[.860]	25.63[1.010]	29.44[1.160]	33.25[1.310]	37.06[1.460]	40.87[1.610]	
Dim.B	3.81[.150]	7.62[.300]	11.43[.450]	15.24[.600]	19.05[.750]	22.86[.900]	26.67[1.050]	
Tol.	±0.10[.004]			±0.15[.006]			±0.20[.008]	
POLE	9	10	11	12	13	14	15	16
Dim.L	44.68[1.760]	48.49[1.910]	52.3[2.060]	56.11[2.210]	59.92[2.360]	63.73[2.510]	67.54[2.660]	71.35[2.810]
Dim.B	30.48[1.200]	34.29[1.350]	38.10[1.500]	41.91[1.650]	45.72[1.800]	49.53[1.950]	53.34[2.100]	57.15[2.250]
Tol.	±0.20[.008]				±0.25[.010]			
POLE	17	18	19	20	21	22	23	24
Dim.L	75.16[2.960]	78.97[3.110]	82.78[3.260]	86.59[3.410]	90.4[3.560]	94.21[3.710]	98.02[3.860]	101.83[4.010]
Dim.B	60.96[2.400]	64.77[2.550]	68.58[2.700]	72.39[2.850]	76.20[3.000]	80.01[3.150]	83.82[3.300]	87.63[3.450]
Tol.	±0.25[.010]				±0.30[.012]			

mat'l. code	surface ASME Y14.5	tolerance ASME Y14.5	projection	product family
tr	ecn no	dr	date	TERMINAL BLOCK
E	tolerances unless otherwise specified			title
	angles	X.±0.5	MM	TERMINAL BLOCK
	±1°	X.X±0.3	[INCH]	PLUGGABLE SIGNAL, SOCKET W/FLANGE
		X.XX±0.1	scale	45° ANGLE
	dr	WENDY CHEN	062310	FCI
	enr	JASON HSU	062310	dwg no
	chr	GARY HSIEH	062310	20020131
	appd	JOSEPH HSIA	062310	sheet 3 of 5
sheet index	revision	sheet		size
				A4
				type
				CUSTOMER Drawing

form: A4mmXLc

1 |

2 |

PDM: Rev:E 3 | STATUS Released Printed: Apr 21, 2011 4



Copyright FCI



FCIconnect.com

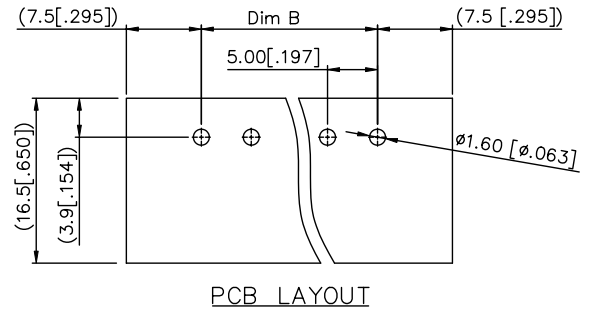
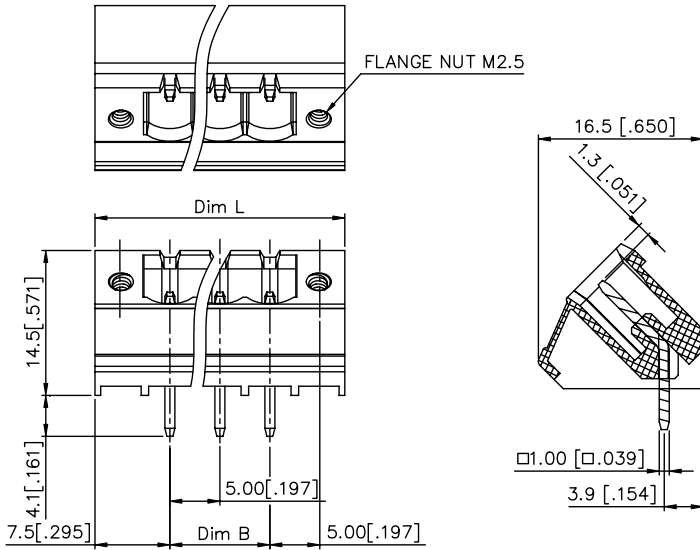


1 | 2

3

4

PRODUCT NUMBER	SERIES NAME	PITCH
20020131-GXXXXXXLF	30-500	5.00 mm



POLE		2	3	4	5	6	7	8
DIM.L		20.0[.787]	25.0[.984]	30.0[1.181]	35.0[1.377]	40.0[1.574]	45.0[1.771]	50.0[1.968]
DIM.B		5.0[.196]	10.0[.394]	15.0[.590]	20.0[.787]	25.0[.984]	30.0[1.181]	35.0[1.377]
Tol.		±0.15[.006]						±0.25[.010]
POLE	9	10	11	12	13	14	15	16
DIM.L	55.0[2.165]	60.0[2.362]	65.0[2.559]	70.0[2.755]	75.0[2.952]	80.0[3.149]	85.0[3.346]	90.0[3.543]
DIM.B	40.0[1.574]	45.0[1.771]	50.0[1.968]	55.0[2.165]	60.0[2.362]	65.0[2.559]	70.0[2.755]	75.0[2.952]
Tol.	±0.25[.010]				±0.30[.012]			
POLE	17	18	19	20	21	22	23	24
DIM.L	95.0[3.74]	100.0[3.937]	105.0[4.133]	110.0[4.330]	115.0[4.527]	120.0[4.724]	125.0[4.921]	130.0[5.118]
DIM.B	80.0[3.149]	85.0[3.346]	90.0[3.543]	95.0[3.740]	100.0[3.937]	105.0[4.133]	110.0[4.330]	115.0[4.527]
Tol.	±0.30[.012]				±0.40[.016]			

mat'l. code	surface ASME Y14.5	tolerance ASME Y14.5	projection	product family
ltr	ecn no	dr	date	tolerances unless otherwise specified
E				angles
				X±0.5
				X.X±0.3
				X.XX±0.1
				scale
				MM
				[INCH]
				title
				TERMINAL BLOCK
				TERMINAL BLOCK
				PLUGGABLE SIGNAL, SOCKET W/FLANGE
				45° ANGLE
				dwg no
				sheet 4 of 5
				size
				20020131
				A4
				type
				CUSTOMER Drawing
sheet index	revision	sheet		

form: A4mmXLC

1 |

2

PDM: Rev:E 3 | STATUS Released Printed: Apr 21, 2011 4



Copyright FCJ



FCJconnect.com

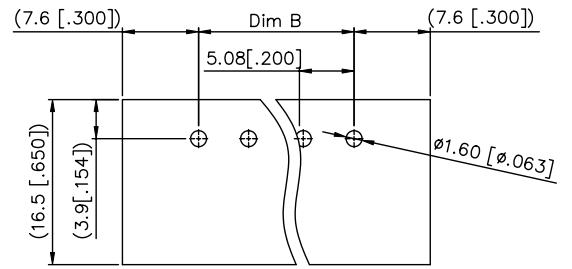
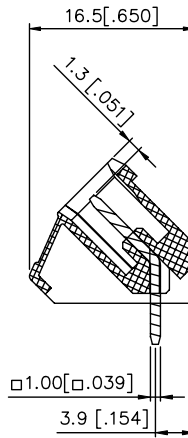
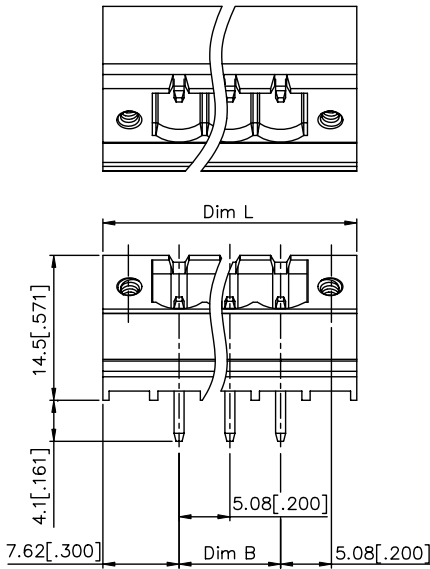


1 | 2

3 |

4

PRODUCT NUMBER	SERIES NAME	PITCH
20020131-HXXXXXL	30-508	5.08 mm



PCB LAYOUT

POLE		2	3	4	5	6	7	8	
DIM.L		20.32[.800]	25.4[1.000]	30.48[1.200]	35.56[1.400]	40.64[1.600]	45.72[1.800]	50.8[2.000]	
DIM.B		5.08[.200]	10.16[.400]	15.24[.600]	20.32[.800]	25.4[1.000]	30.48[1.200]	35.56[1.400]	
Tol.		±0.15[.006]						±0.25[.010]	
POLE		9	10	11	12	13	14	15	16
DIM.L		55.88[2.200]	60.96[2.400]	66.04[2.600]	71.12[2.800]	76.2[3.000]	81.28[3.200]	86.36[3.400]	91.44[3.600]
DIM.B		40.64[1.600]	45.72[1.800]	50.8[2.000]	55.88[2.200]	60.96[2.400]	66.04[2.600]	71.12[2.800]	76.2[3.000]
Tol.		±0.25[.010]				±0.30[.012]			
POLE		17	18	19	20	21	22	23	24
DIM.L		96.52[3.800]	101.6[4.000]	106.68[4.200]	111.76[4.400]	116.84[4.600]	121.92[4.800]	127.0[5.000]	132.08[5.200]
DIM.B		81.28[3.200]	86.36[3.400]	91.44[3.600]	96.52[3.800]	101.6[4.000]	106.68[4.200]	111.76[4.400]	116.84[4.600]
Tol.		±0.30[.012]				±0.40[.016]			

mat'l. code	surface ASME Y14.5	tolerance ASME Y14.5	projection	product family
itr	ecn	no	dr	date
tolerances unless otherwise specified				title
angles	X±0.5	MM	INCH	TERMINAL BLOCK
X±1°	X.X±0.3	scale	45° ANGLE	PLUGGABLE SIGNAL, SOCKET W/FLANGE
dr	WENDY CHEN	062310	FCJ	dwg no
enr	JASON HSU	062310		20020131
chr	GARY HSIEH	062310		sheet 5 of 5
appd	JOSEPH HSIA	062310		size A4
sheet index	revision sheet			type CUSTOMER Drawing

form: A4mmXLc

1 |

2 |

PDM: Rev:E 3 | STATUS Released Printed: Apr 21, 2011 4