



PRODUCT NUMBER
20020010-XXXXXXLF

20020010-□ □ □ □ □ 0 □ L F

PITCH
C: 3.50 mm
D: 3.81 mm
G: 5.00 mm
H: 5.08 mm

POLES
02: 2 POLES
03: 3 POLES
04: 4 POLES

24: 24 POLES

LF : NOTED RoHS COMPATIBLE

1 : STANDARD PRODUCT
W/ BOX PACKING

PROPERTY TABLE						
FCI SERIES NAME		02-350	02-381	02-500	02-508	
PITCH (mm)		3.50	3.81	5.00	5.08	
VOLTAGE RATING (VAC)		300	300	300	300	
CURRENT RATING (A)	cULus	8	8	12	12	
	VDE	10	10	NA	NA	
APPLICABLE WIRE RANGE (AWG)	1-WIRE	16~28	16~28	12~24	12~24	
	2-WIRE	20	20	18	18	
WIRE CROSS SECTION (mm ²)	SOLID	1-WIRE	1.5	1.5	2.5	2.5
		2-WIRE	0.5	0.5	1.0	1.0
	STRANDED	1-WIRE	1.5	1.5	2.5	2.5
		2-WIRE	0.75	0.75	1.5	1.5
OPENING CONTACT HOUSING(mm ²)		2.8x1.7	2.8x1.7	2.6x3.3	2.6x3.3	
WIRE STRIP LENGTH(mm)		6~7	6~7	6~7	6~7	
TORQUE +/-10% (N-m/Lb-in)		0.19/1.7	0.19/1.7	0.4/3.5	0.4/3.5	
SCREW		M2x0.4	M2x0.4	M3x0.5	M3x0.5	
WITHSTANDING VOLTAGE (kV)	cULus	1.6	1.6	1.6	1.6	
	VDE	2.5	2.5	NA	NA	
OPERATING TEMP. (°C)		-40~+115	-40~+115	-40~+115	-40~+115	
POLES AVAILABLE		02~24	02~24	02~24	02~24	
SAFETY CERTIFICATE						

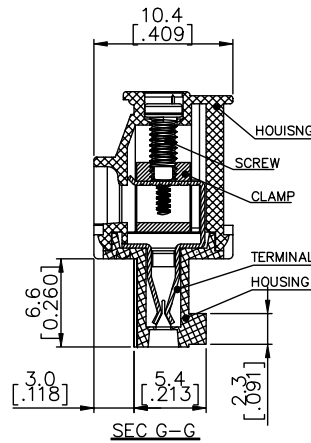
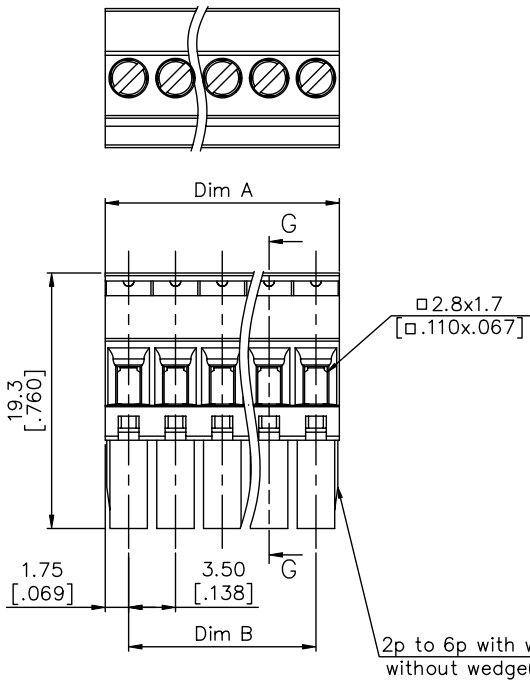
CODE	COLOR	AVAILABILITY
1	GREEN(RAL 6018/T)	STANDARD
2	BLACK	ON REQUEST ONLY
3	GREY(RAL 7004/P)	ON REQUEST ONLY
4	BLUE(RAL 5015/A)	ON REQUEST ONLY

CODE	SCREW TYPE	AVAILABILITY
A	-/+	ON REQUEST ONLY
B	-	STANDARD

- NOTES:
- MATERIALS
 - 1-1 HOUSING: THERMALPLASTIC RESIN, UL 94V-0 RATED.
 - 1-2 SCREW: STEEL, ZINC PLATED.
 - 1-3 CLAMP: COPPER ALLOY, NICKEL PLATED.
 - 1-4 TERMINAL: COPPER ALLOY, TIN PLATED.
 - PRODUCT SPECIFICATION REFER TO FCI GS-12-625.
 - PRODUCT PACKING SPECIFICATION REFER TO FCI GS-14-1394.
 - FCI, SAFETY CERTIFICATE LOGO AND SERIES NAME TO BE SHOWN ON PRODUCT SURFACE.
 - THE PRODUCTS WHERE THE PART NUMBER END IN "LF" MEET THE EUROPEAN UNION DIRECTIVE AND OTHER COUNTRY REGULATIONS AS DESCRIBED IN GS-22-008.

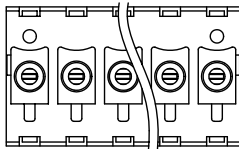
mat'l. code		surface ASME Y14.5	tolerance ASME Y14.5	projection	product family
tr		tolerances unless otherwise specified			TERMINAL BLOCK
A	T10-0029	JH	120909	X.±0.5	MM
B	T10-0042	WL	030310	X.X±0.3	INCH
C	T10-0082	WL	080510	X'±1"	scale
D	T10-0158	WL	100410	dr	JASON HSU 120909
E	T11-0013	WL	040811	engr	JASON HSU 120909
				chr	GARY HSIEH 120909
				appd	JOSEPH HSIA 120909
sheet index	revision sheet	E 1	E 2	E 3	E 4

PRODUCT NUMBER	SERIES NAME	PITCH
20020010-CXXXXXXLF	02-350	3.50 mm



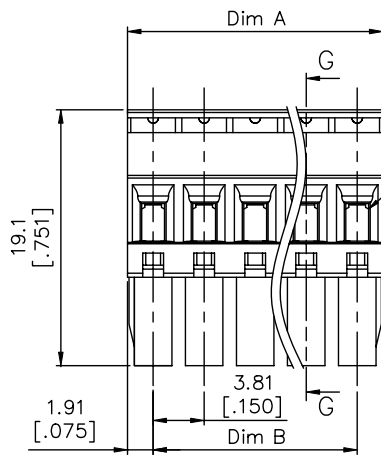
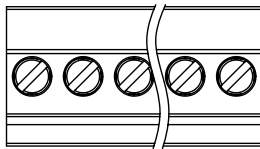
N = Number of poles
 Dim A = $N \times 3.5$ [.138]
 Dim B = $(N-1) \times 3.5$ [.138]

POLES	Dim A	Dim B
2-6p	± 0.15 [.006]	
7-12p	± 0.20 [.008]	
13-18p	± 0.25 [.010]	
19-24p	± 0.30 [.012]	

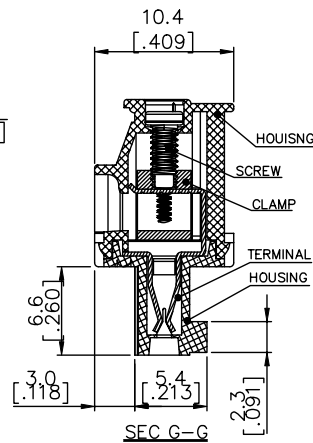


mat'l. code	surface ASME Y14.5	tolerance ASME Y14.5	projection	product family
ltr	ecn	no	dr	date
E				
	angles	tolerances unless otherwise specified	MM	title
	X \pm 1°	X. \pm 0.5	[INCH]	TERMINAL BLOCK
		X.X \pm 0.3	scale	PLUGGABLE PLUG, BACK SIDE HOOK
		X.XX \pm 0.1		dwg no
	dr	JASON HSU	120909	sheet 2 of 5
	enr	JASON HSU	120909	size
	chr	GARY HSIEH	120909	20020010
	appd	JOSEPH HSIA	120909	A4
sheet index	revision sheet			type
				CUSTOMER Drawing

PRODUCT NUMBER	SERIES NAME	PITCH
20020010-DXXXXXXLXF	02-381	3.81 mm



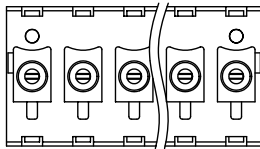
∅2.8x1.7
[∅.110x.067]



N = Number of poles
Dim A=Nx3.81[.150]
Dim B=(N-1)x3.81[.150]

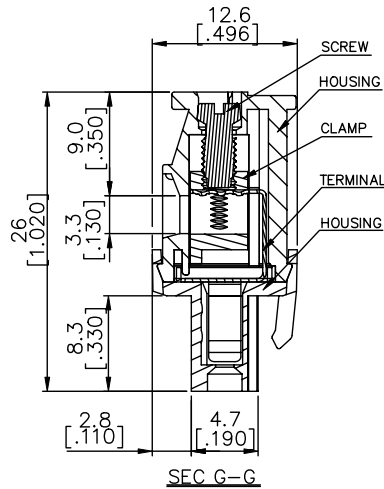
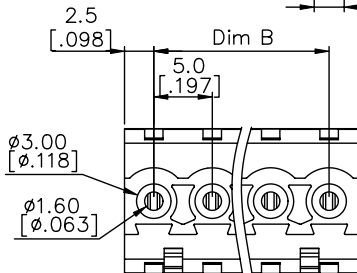
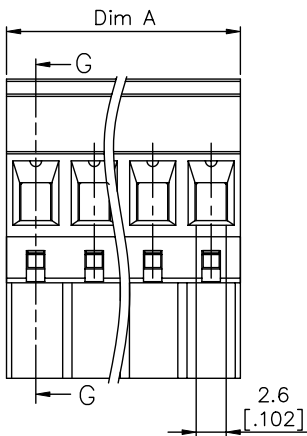
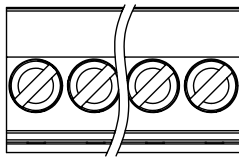
POLES	Dim A	Dim B
2-6p	±0.15[.006]	
7-12p	±0.20[.008]	
13-18p	±0.25[.010]	
19-24p	±0.30[.012]	

2p to 6p with wedge, above 7p
without wedge(including 7p)



mat'l. code	surface ASME Y14.5	tolerance ASME Y14.5	projection	product family	
ltr	ecn	no	dr	date	
E					
tolerances unless otherwise specified				title	
angles	∅	X.±0.5	MM	TERMINAL BLOCK	
X'±1'		X.X±0.3	[INCH]	PLUGGABLE PLUG, BACK SIDE HOOK	
		X.XX±0.1	scale	dwg no	
dr	JASON HSU	120909		sheet 3 of 5	
enr	JASON HSU	120909		20020010	A4
chr	GARY HSIEH	120909			
appd	JOSEPH HSIA	120909			
sheet index	revision sheet			type	
				CUSTOMER Drawing	

PRODUCT NUMBER	SERIES NAME	PITCH
20020010-GXXXXXLF	02-500	5.00 mm



N = Number of poles
 Dim A = $N \times 5.0$ [.197]
 Dim B = $(N-1) \times 5.0$ [.197]

POLES	Dim A	Dim B
2-6p	± 0.15 [.006]	
7-12p	± 0.25 [.010]	
13-18p	± 0.30 [.012]	
19-24p	± 0.40 [.016]	

mat'l. code	surface ASME Y14.5	tolerance ASME Y14.5	projection	product family	TERMINAL BLOCK
ltr ecn no dr date	tolerances unless otherwise specified		MM [INCH]	title	TERMINAL BLOCK
E	angles	X.±0.5	MM [INCH]	TERMINAL BLOCK	PLUGGABLE PLUG, BACK SIDE HOOK
	radius	X.X±0.3	scale	dwg no	sheet 4 of 5 size
	X'±1"	X.XX±0.1	FCI	20020010	A4
	dr JASON HSU	120909		type	CUSTOMER Drawing
	enr JASON HSU	120909			
	chr GARY HSIEH	120909			
	appd JOSEPH HSIA	120909			
sheet index	revision sheet				

Copyright FCI



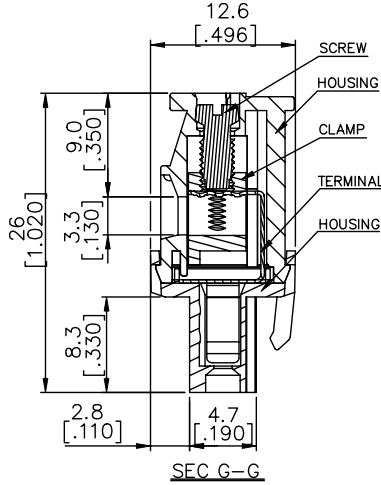
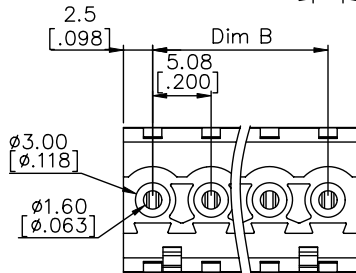
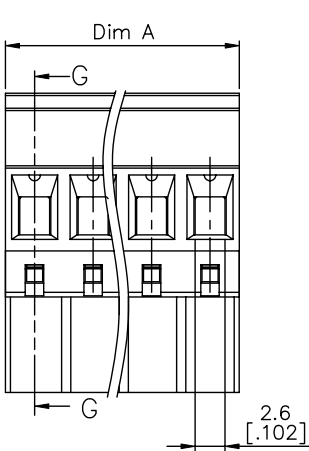
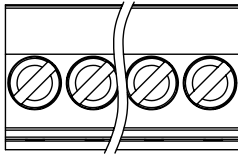
FCIconnect.com

1 | 2

3

4

PRODUCT NUMBER	SERIES NAME	PITCH
20020010-HXXXXXLF	02-508	5.08 mm



N = Number of poles
 Dim A = $N \times 5.08$ [.200]
 Dim B = $(N-1) \times 5.08$ [.200]

POLES	Dim A	Dim B
2-6p	± 0.15 [.006]	
7-12p	± 0.25 [.010]	
13-18p	± 0.30 [.012]	
19-24p	± 0.40 [.016]	

mat'l. code	surface ASME Y14.5	tolerance ASME Y14.5	projection	product family
ltr ecn no dr date	tolerances unless otherwise specified	angles	MM [INCH] scale	TERMINAL BLOCK
E		X.±0.5 X.X±0.3 X.XX±0.1		title
				TERMINAL BLOCK PLUGGABLE PLUG, BACK SIDE HOOK
	dr JASON HSU 120909			dwg no 20020010 sheet 5 of 5 size A4
	enr JASON HSU 120909			FCI
	chr GARY HSIEH 120909			type CUSTOMER Drawing
	appd JOSEPH HSIA 120909			
sheet index	revision sheet			

form: A4mmXLc

1

2

PDM: Rev:E 3 | STATUS Released Printed: Apr 21, 2011 4