



Copyright FCI



FCIconnect.com



1 | 2

3 |

4

| |
|-------------------|
| PRODUCT NUMBER |
| 20020111-XXXXXXLF |

20020111-□ □ □ □ A 0 □ LF

PITCH

C : 3.50 mm
D : 3.81 mm
G : 5.00 mm
H : 5.08 mm

POLES

02: 2 POLES
03: 3 POLES
04: 4 POLES

24: 24 POLES

LF : DENOTED ROHS COMPATIBLE

1 : STANDARD PRODUCT
W/ BOX PACKING

HOUSING CODE

| CODE | COLOR | AVAILABILITY |
|------|-------------------|-----------------|
| 1 | GREEN(RAL 6018/T) | STANDARD |
| 2 | BLACK | ON REQUEST ONLY |
| 3 | GREY(RAL 7004/P) | ON REQUEST ONLY |
| 4 | BLUE(RAL 5015/A) | ON REQUEST ONLY |

PROPERTY TABLE

| FCI SERIES NAME | | 06-350 | 06-381 | 06-500 | 06-508 |
|---------------------------|-------|--------------------|--------------------|--------------------|--------------------|
| PITCH (mm) | | 3.50 | 3.81 | 5.00 | 5.08 |
| VOLTAGE RATING (VAC) | | 300 | 300 | 300 | 300 |
| CURRENT RATING (A) | cULus | 10 | 10 | 12 | 12 |
| | VDE | 10.5 | 10.5 | NA | NA |
| WITHSTANDING VOLTAGE (kV) | cULus | 1.6 | 1.6 | 1.6 | 1.6 |
| | VDE | 2.5 | 2.5 | NA | NA |
| OPERATING TEMP. (°C) | | -40~+115 | -40~+115 | -40~+115 | -40~+115 |
| SOLDERING TEMP. (°C) | | 250±10 (5 sec.) | 250±10 (5 sec.) | 250±10 (5 sec.) | 250±10 (5 sec.) |
| POLES AVAILABLE | | 02~24 | 02~24 | 02~24 | 02~24 |
| SAFETY CERTIFICATE | | | | | |

NOTES:

- MATERIALS
1-1 HOUSING: THERMALPLASTIC RESIN, UL 94V-0 RATED.
1-2 TERMINAL: COPPER ALLOY, TIN PLATED.
- PRODUCT SPECIFICATION REFER TO FCI GS-12-625.
- BOXED PACKAGING,
DETAILED PRODUCT PACKING SPECIFICATION REFER TO FCI GS-14-1394.
- FCI, SAFETY CERTIFICATE LOGO AND SERIES NAME TO BE SHOWN ON PRODUCT SURFACE.
- THE PRODUCTS WHERE THE PART NUMBER END IN "LF" MEET THE EUROPEAN UNION DIRECTIVE AND OTHER COUNTRY REGULATIONS AS DESCRIBED IN GS-22-008.
- RECOMENED SOLDERING PROCESS BY WAVE SOLDER.

| | | | | | | | | | |
|-------------|--|--------------------|--|----------------------|--|------------|--|--|--|
| mat'l. code | | surface ASME Y14.5 | | tolerance ASME Y14.5 | | projection | | product family | |
| itr | | ecn no | | dr | | date | | title | |
| A | | T10-0062 | | WL | | 050710 | | TERMINAL BLOCK | |
| B | | T10-0155 | | WL | | 093010 | | TERMINAL BLOCK PLUGGABLE, SOCKET, SIGNAL, R/A W/FLANGE | |
| C | | T10-0187 | | WL | | 121410 | | scale | |
| D | | T11-0006 | | WL | | 012611 | | dr WENDY CHEN 042610 | |
| E | | T11-0013 | | WL | | 040811 | | enrg JASON HSU 042610 | |
| | | | | | | | | chr GARY HSIEH 042610 | |
| | | | | | | | | appd JOSEPH HSIA 042610 | |
| sheet index | | revision sheet | | E 1 | | E 2 | | E 3 | |
| | | | | E 4 | | E 5 | | | |

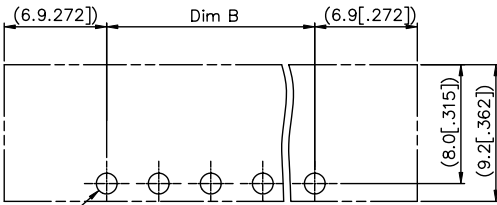
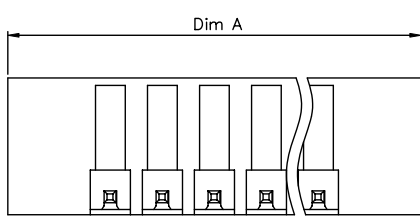
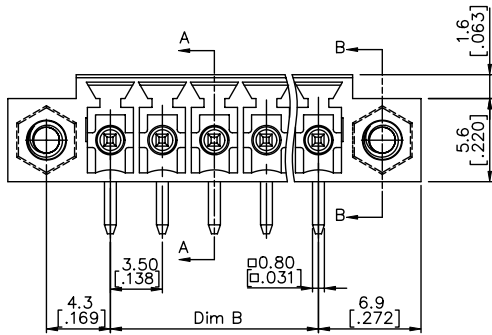
form: A4mmXLc

1 |

2 |

PDM: Rev:E 3 | STATUS Released Printed: Apr 21, 2011 4

| | | |
|--------------------|-------------|---------|
| PRODUCT NUMBER | SERIES NAME | PITCH |
| 20020111-CXXXXXXLF | 06-350 | 3.50 mm |



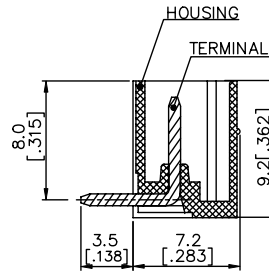
RECOMMENDED PCB LAYOUT

DIMENSION

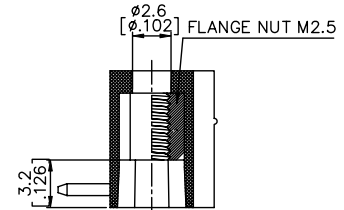
| | |
|--------|------------------------------|
| Dim. A | $(N-1)*3.5[.138]+13.8[.543]$ |
| Dim. B | $(N-1)*3.5[.138]$ |

N= NUMBER OF CONTACTS

| | |
|---------|----------------------|
| 2p-6p | $\pm 0.15[\pm .006]$ |
| 7p-12p | $\pm 0.20[\pm .008]$ |
| 13p-16p | $\pm 0.25[\pm .010]$ |
| 17p-24p | $\pm 0.30[\pm .012]$ |



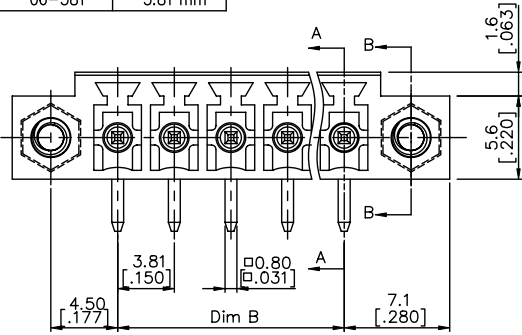
SECTION A-A



SECTION B-B

| | | | | | |
|---------------------------------------|--------------------|----------------------|------------|--------------------------------|------------------|
| mat'l. code | surface ASME Y14.5 | tolerance ASME Y14.5 | projection | product family | |
| ltr | ecn | no | dr | date | title |
| E | | | | | TERMINAL BLOCK |
| tolerances unless otherwise specified | | | | MM | TERMINAL BLOCK |
| angles | X.±0.5 | W | INCH | PLUGGABLE, SOCKET, SIGNAL, R/A | |
| X'±1' | X.X±0.3 | scale | W/FLANGE | | |
| dr | WENDY CHEN | 042610 | FCI | dwg no | sheet 2 of 5 |
| enr | JASON HSU | 042610 | | 20020111 | A4 |
| chr | GARY HSIEH | 042610 | | | |
| appd | JOSEPH HSIA | 042610 | | type | CUSTOMER Drawing |
| sheet index | revision sheet | | | | |

| PRODUCT NUMBER | SERIES NAME | PITCH |
|--------------------|-------------|---------|
| 20020111-DXXXXXXLF | 06-381 | 3.81 mm |

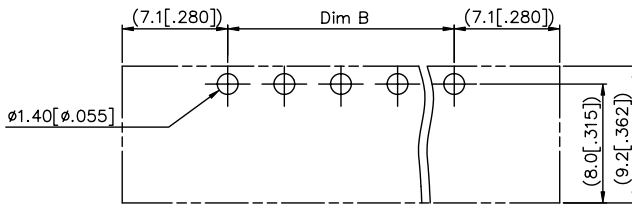
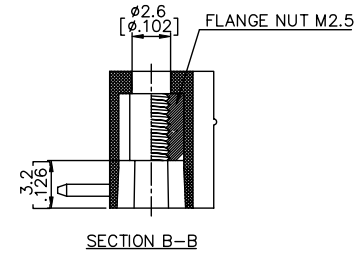
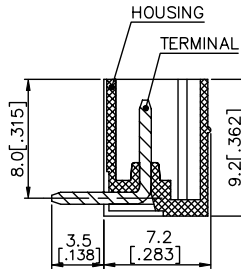
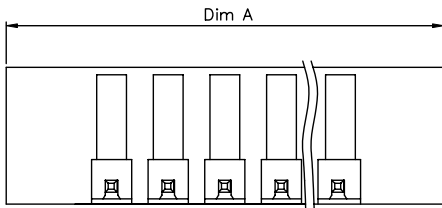


DIMENSION

| | |
|--------|-------------------------------|
| Dim .A | $(N-1)*3.81[.150]+14.2[.559]$ |
| Dim .B | $(N-1)*3.81[.150]$ |

N= NUMBER OF CONTACTS

| | |
|---------|----------------------|
| 2p-6p | $\pm 0.15[\pm .006]$ |
| 7p-12p | $\pm 0.20[\pm .008]$ |
| 13p-16p | $\pm 0.25[\pm .010]$ |
| 17p-24p | $\pm 0.30[\pm .012]$ |



RECOMMENDED PCB LAYOUT

| | | | | | | | | | | |
|-------------|--------------------|----------------------|------------|----------------|---------------------------------------|---------|----------|------|-------|--------------------------------|
| mat'l. code | surface ASME Y14.5 | tolerance ASME Y14.5 | projection | product family | | | | | | |
| ltr | ecn | no | dr | date | tolerances unless otherwise specified | angles | MM | INCH | scale | title |
| E | | | | | X.±0.5 | X.X±0.3 | X.XX±0.1 | | | TERMINAL BLOCK |
| | | | dr | WENDY CHEN | 042610 | | | | | TERMINAL BLOCK |
| | | | enr | JASON HSU | 042610 | | | | | PLUGGABLE, SOCKET, SIGNAL, R/A |
| | | | chr | GARY HSIEH | 042610 | | | | | W/FLANGE |
| | | | appd | JOSEPH HSIA | 042610 | | | | | dwg no |
| | | | | | | | | | | sheet 3 of 5 |
| | | | | | | | | | | 20020111 |
| | | | | | | | | | | A4 |
| | | | | | | | | | | type |
| | | | | | | | | | | CUSTOMER Drawing |
| sheet index | revision sheet | | | | | | | | | |

Copyright FCI



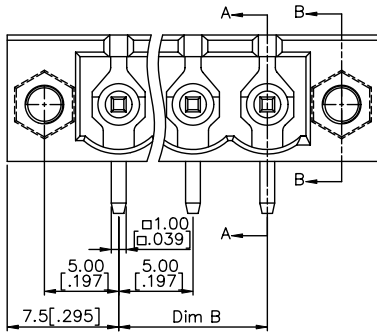
FCIconnect.com

1 | 2

3

4

| PRODUCT NUMBER | SERIES NAME | PITCH |
|--------------------|-------------|---------|
| 20020111-GXXXXXXLF | 06-500 | 5.00 mm |



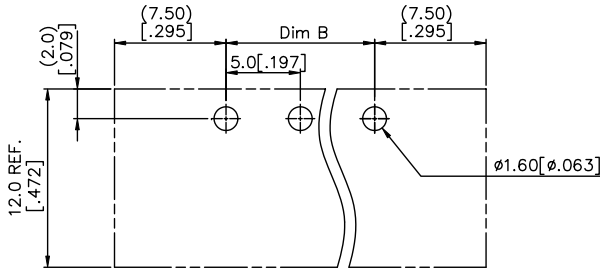
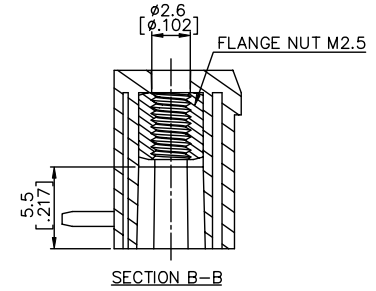
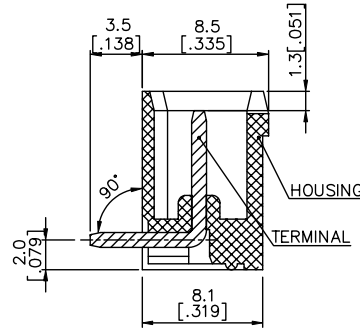
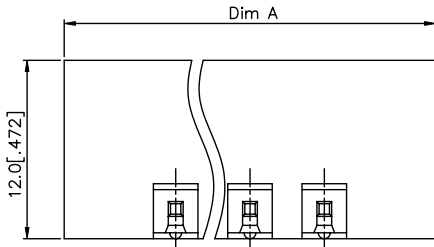
DIMENSION

Dim. A (N+2)*5.0[.197]

Dim. B (N-1)*5.0[.197]

N= NUMBER OF CONTACTS

| | |
|---------|--------------|
| 2p-6p | ±0.15[±.006] |
| 7p-12p | ±0.20[±.008] |
| 13p-18p | ±0.25[±.010] |
| 19p-24p | ±0.30[±.012] |



| | | | | |
|---------------------------------------|--------------------|----------------------|------------|--------------------------------|
| mat'l. code | surface ASME Y14.5 | tolerance ASME Y14.5 | projection | product family |
| ltr | ecn | no | dr | date |
| E | | | | |
| tolerances unless otherwise specified | | | | title |
| angles | MM | INCH | scale | TERMINAL BLOCK |
| X±0.5 | X.X±0.3 | X.XX±0.1 | | PLUGGABLE, SOCKET, SIGNAL, R/A |
| X°±1 | | | | W/FLANGE |
| dr | WENDY CHEN | 042610 | | dwg no |
| enr | JASON HSU | 042610 | | sheet 4 of 5 |
| chr | GARY HSIEH | 042610 | | size |
| appd | JOSEPH HSIA | 042610 | | A4 |
| sheet index | revision sheet | | | type |
| | | | | CUSTOMER Drawing |

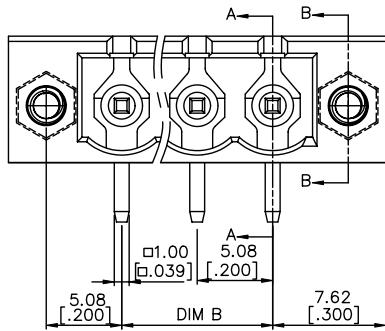
form: A4mmXLc

1

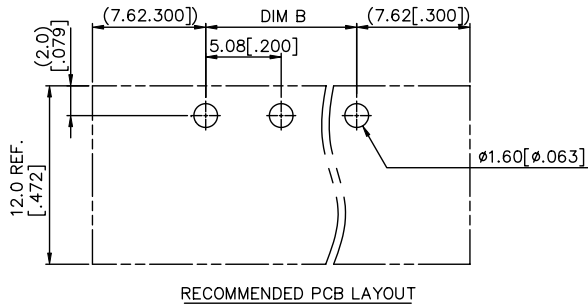
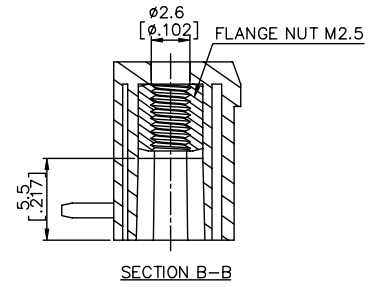
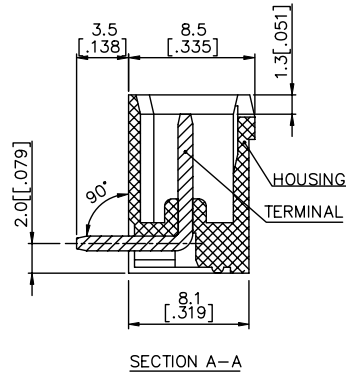
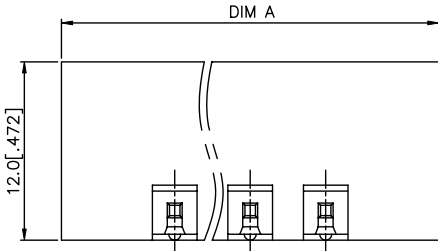
2

PDM: Rev:E 3 | STATUS Released Printed: Apr 21, 2011 4

| PRODUCT NUMBER | SERIES NAME | PITCH |
|--------------------|-------------|---------|
| 20020111-HXXXXXXLF | 06-508 | 5.08 mm |



| DIMENSION | |
|-----------------------|----------------------|
| Dim. A | $(N+2)*5.08[.200]$ |
| Dim. B | $(N-1)*5.08[.200]$ |
| N= NUMBER OF CONTACTS | |
| 2p-6p | $\pm 0.15[\pm .006]$ |
| 7p-12p | $\pm 0.20[\pm .008]$ |
| 13p-18p | $\pm 0.30[\pm .012]$ |
| 19p-24p | $\pm 0.40[\pm .016]$ |



| | | | | | |
|-------------|--------------------|----------------------|------------|----------------|--------------------------------|
| mat'l. code | surface ASME Y14.5 | tolerance ASME Y14.5 | projection | product family | |
| ltr | ecn | no | dr | date | title |
| E | | | | | TERMINAL BLOCK |
| | | | | | TERMINAL BLOCK |
| | | | | | PLUGGABLE, SOCKET, SIGNAL, R/A |
| | | | | | W/FLANGE |
| | | | | | dwg no |
| | | | | | sheet 5 of 5 |
| | | | | | size |
| | | | | | 20020111 |
| | | | | | A4 |
| | | | | | type |
| | | | | | CUSTOMER Drawing |
| sheet index | revision | sheet | | | |