



Copyright FCI



FCIconnect.com

1 | 2

3 |

4

PRODUCT NUMBER  
20020130-XXXXXXLF

20020130-□□□□A0□□LF

PITCH  
C: 3.50 mm  
D: 3.81 mm  
G: 5.00 mm  
H: 5.08 mm

POLES  
02: 2 POLES  
03: 3 POLES  
04: 4 POLES  
24: 24 POLES

LF : DENOTED RoHS COMPATIBLE

1 : STANDARD PRODUCT  
W/ BOX PACKING

HOUSING CODE

CODE	COLOR	AVAILABILITY
1	GREEN(RAL 6018/T)	STANDARD
2	BLACK	ON REQUEST ONLY
3	GREY(RAL 7004/P)	ON REQUEST ONLY
4	BLUE(RAL 5015/A)	ON REQUEST ONLY

PROPERTY TABLE				
FCI SERIES NAME	30-350	30-381	30-500	30-508
PITCH (mm)	3.50	3.81	5.00	5.08
VOLTAGE RATING (VAC)	300	300	300	300
CURRENT RATING (A)	cULus	8	8	15
	VDE	10	10	NA
WITHSTANDING VOLTAGE (kV)	cULus	1.6	1.6	1.6
	VDE	2.5	2.5	NA
OPERATING TEMP. (°C)	-40~+115	-40~+115	-40~+115	-40~+115
SOLDERING TEMP. (°C)	250±10	250±10	250±10	250±10
	(5 sec.)	(5 sec.)	(5 sec.)	(5 sec.)
POLES AVAILABLE	02~24	02~24	02~24	02~24
SAFETY CERTIFICATE				

NOTES:

- MATERIALS**  
1-1 HOUSING: THERMAL PLASTIC RESIN, UL 94V-0 RATED.  
1-2 TERMINAL: COPPER ALLOY, TIN PLATED.
- PRODUCT SPECIFICATION REFER TO FCI GS-12-625.**
- BOXED PACKAGING, DETAILED PRODUCT PACKING SPECIFICATION REFER TO FCI GS-14-1394.**
- FCI, SAFETY CERTIFICATE LOGO AND SERIES NAME TO BE SHOWN ON PRODUCT SURFACE.**
- THE PRODUCTS WHERE THE PART NUMBER END IN "LF" MEET THE EUROPEAN UNION DIRECTIVE AND OTHER COUNTRY REGULATIONS AS DESCRIBED IN GS-22-008.
- RECOMENDED SOLDERING PROCESS BY WAVE SOLDER.

mat'l. code	surface ASME Y14.5	tolerance ASME Y14.5	projection	product family
ltr	ecn no	dr	date	tolerances unless otherwise specified
A	T10-0099	WL	070110	angles
B	T10-0161	WL	101210	X.±0.5
C	T11-0013	WL	040811	X.X±0.3
				X.XX±0.1
		dr	WENDY CHEN	062310
		enrg	JASON HSU	062310
		chr	GARY HSIEH	062310
		appd	JOSEPH HSIA	062310
sheet index	revision sheet	C	C	C
		1	2	3
		4	5	

form: A4mmXLc

1 |

2 |

PDM: Rev:C 3 | STATUS Released Printed: Apr 21, 2011 4



Copyright FCI



FCIconnect.com

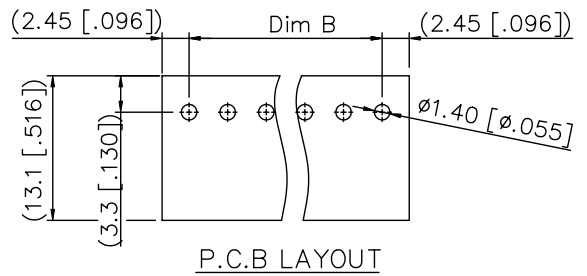
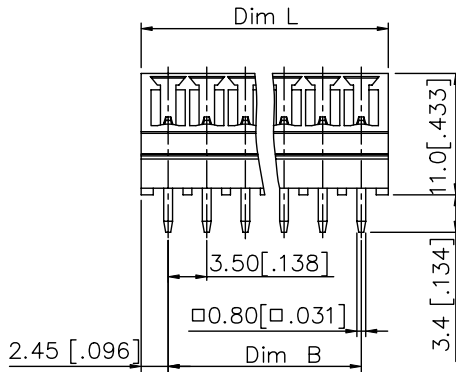
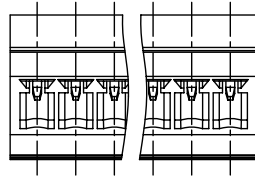


1 | 2

3 |

4

PRODUCT NUMBER	SERIES NAME	PITCH
20020130-CXXXXXLFF	30-350	3.50 mm



POLE	X		2	3	4	5	6	7	8
DIM.L	X		8.4[.331]	11.9[.468]	15.4[.606]	18.9[.744]	22.4[.881]	25.9[1.019]	29.4[1.157]
DIM.B	X		3.50[.138]	7.00[.276]	10.50[.413]	14.00[.551]	17.50[.689]	21.00[.827]	24.50[.965]
Tol.	X		±0.10[.004]			±0.15[.006]			±0.20[.008]
POLE	9	10	11	12	13	14	15	16	
DIM.L	32.9[1.295]	36.4[1.433]	39.9[1.571]	43.4[1.708]	46.9[1.846]	50.4[1.984]	53.9[2.122]	57.4[2.259]	
DIM.B	28.00[1.102]	31.50[1.240]	35.00[1.378]	38.50[1.516]	42.00[1.654]	45.5[1.791]	49.0[1.929]	52.50[2.067]	
Tol.	±0.20[.008]				±0.25[.010]				
POLE	17	18	19	20	21	22	23	24	
DIM.L	60.9[2.397]	64.4[2.535]	67.9[2.673]	71.4[2.811]	74.9[2.948]	78.4[3.086]	81.9[3.224]	85.4[3.362]	
DIM.B	56.00[2.205]	59.50[2.342]	63.00[2.480]	66.50[2.618]	70.00[2.756]	73.50[2.894]	77.00[3.031]	80.50[3.169]	
Tol.	±0.25[.010]		±0.30[.012]						

mat'l. code	surface ASME Y14.5	tolerance ASME Y14.5	projection	product family
ltr	ecn	no	dr	date
tolerances unless otherwise specified				title
c	angles	MM	[INCH]	TERMINAL BLOCK
	X±0.5			PLUGGABLE SIGNAL, SOCKET 45° ANGLE
	X.X±0.3			dwg no
	X.XX±0.1			sheet 2 of 5
dr	WENDY CHEN	062310	FCI	20020130
enr	JASON HSU	062310		A4
chr	GARY HSIEH	062310		size
appd	JOSEPH HSIA	062310		CUSTOMER Drawing
sheet index	revision sheet			

form: A4mmXlc

1 |

2

PDM: Rev:C 3 | STATUS Released Printed: Apr 21, 2011 4



Copyright FCI



FCIconnect.com

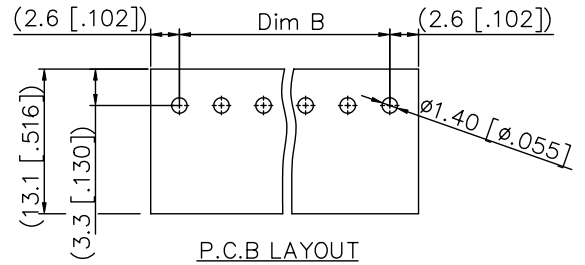
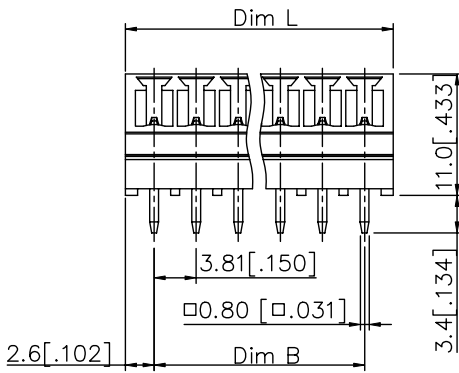
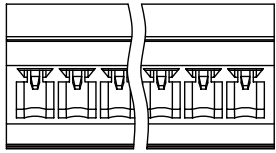


1 | 2

3 |

4

PRODUCT NUMBER	SERIES NAME	PITCH
20020130-DXXXXXL	30-381	3.81 mm



POLE	2	3	4	5	6	7	8	
Dim.L	9.01[.300]	12.82[.450]	16.63[.600]	20.44[.750]	24.25[.900]	28.06[1.050]	31.87[1.200]	
Dim.B	3.81[.150]	7.62[.300]	11.43[.450]	15.24[.600]	19.05[.750]	22.86[.900]	26.67[1.050]	
Tol.	±0.10[.004]		±0.15[.006]			±0.20[.008]		
POLE	9	10	11	12	13	14	15	16
Dim.L	35.68[1.350]	39.49[1.500]	43.3[1.650]	47.11[1.800]	50.92[1.950]	54.73[2.100]	58.54[2.250]	62.35[2.400]
Dim.B	30.48[1.200]	34.29[1.350]	38.10[1.500]	41.91[1.650]	45.72[1.800]	49.53[1.950]	53.34[2.100]	57.15[2.250]
Tol.	±0.20[.008]			±0.25[.010]				
POLE	17	18	19	20	21	22	23	24
Dim.L	66.16[2.550]	69.97[2.700]	73.78[2.850]	77.59[3.000]	81.4[3.150]	85.21[3.300]	89.02[3.450]	92.83[3.600]
Dim.B	60.96[2.400]	64.77[2.550]	68.58[2.700]	72.39[2.850]	76.20[3.000]	80.01[3.150]	83.82[3.300]	
Tol.	±0.25[.010]				±0.30[.012]			

mat'l. code	surface ASME Y14.5	tolerance ASME Y14.5	projection	product family
ltr ecn no dr date	tolerances unless otherwise specified	angles	MM [INCH]	TERMINAL BLOCK
c	X±0.5	X.X±0.3	scale	title
	X±1	X.XX±0.1		TERMINAL BLOCK PLUGGABLE SIGNAL, SOCKET 45° ANGLE
	dr WENDY CHEN 062310	enr JASON HSU 062310	FCI	dwg no 20020130 sheet 3 of 5 size A4
	chr GARY HSIEH 062310	appd JOSEPH HSIA 062310		type CUSTOMER Drawing
sheet index	revision sheet			

form: A4mmXlc

1 |

2 |

PDM: Rev:C 3 | STATUS Released Printed: Apr 21, 2011 4



Copyright FCI



FCIconnect.com

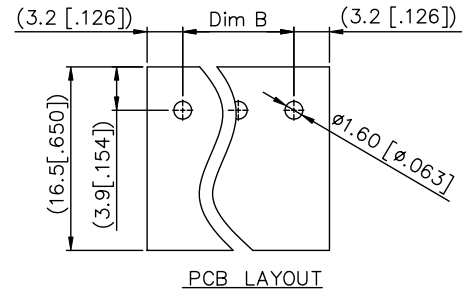
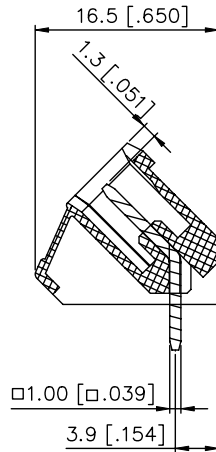
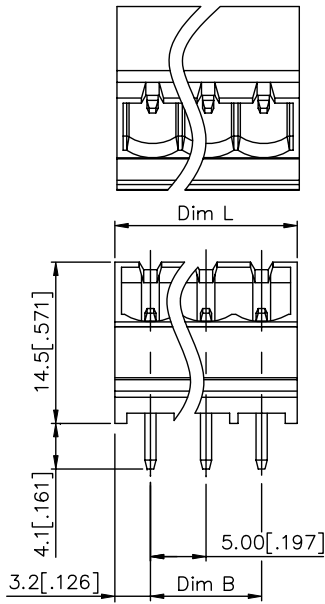


1 | 2

3 |

4

PRODUCT NUMBER	SERIES NAME	PITCH
20020130-GXXXXXL	30-500	5.00 mm



POLE		2	3	4	5	6	7	8
DIM.L		11.4[.449]	16.4[.645]	21.4[.842]	26.4[1.039]	31.4[1.236]	36.4[1.433]	41.4[1.630]
DIM.B		5.0[.196]	10.0[.394]	15.0[.590]	20.0[.787]	25.0[.984]	30.0[1.181]	35.0[1.377]
Tol.		±0.15[.006]						±0.25[.010]
POLE	9	10	11	12	13	14	15	16
DIM.L	46.4[1.827]	51.4[2.024]	56.4[2.220]	61.4[2.417]	66.4[2.614]	71.4[2.811]	76.4[3.008]	81.4[3.205]
DIM.B	40.0[1.574]	45.0[1.771]	50.0[1.968]	55.0[2.165]	60.0[2.362]	65.0[2.559]	70.0[2.755]	75.0[2.952]
Tol.	±0.25[.010]				±0.30[.012]			
POLE	17	18	19	20	21	22	23	24
DIM.L	86.4[3.402]	91.4[3.598]	96.4[3.795]	101.4[3.992]	106.4[4.189]	111.4[4.386]	116.4[4.583]	121.4[4.780]
DIM.B	80.0[3.149]	85.0[3.346]	90.0[3.543]	95.0[3.74]	100.0[3.937]	105.0[4.133]	110.0[4.330]	115.0[4.527]
Tol.	±0.30[.012]				±0.40[.016]			

mat'l. code	surface ASME Y14.5	tolerance ASME Y14.5	projection	product family
ltr	ecn	no	dr	date
tolerances unless otherwise specified				title
c	angles	MM	[INCH]	TERMINAL BLOCK
	X±0.5	X.X±0.3	X.XX±0.1	PLUGGABLE SIGNAL, SOCKET 45° ANGLE
	dr	WENDY CHEN	062310	dwg no
	enr	JASON HSU	062310	20020130
	chr	GARY HSIEH	062310	sheet 4 of 5
	appd	JOSEPH HSIA	062310	size A4
sheet index	revision sheet			type CUSTOMER Drawing

form: A4mmXLC

1 |

2 |

PDM: Rev:C 3 | STATUS Released Printed: Apr 21, 2011 4



Copyright FCI



FCIconnect.com

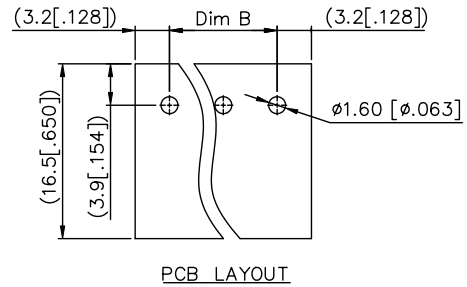
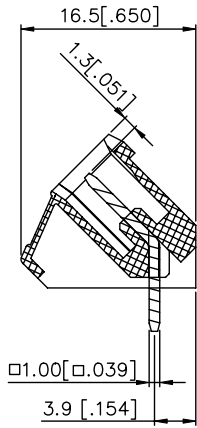
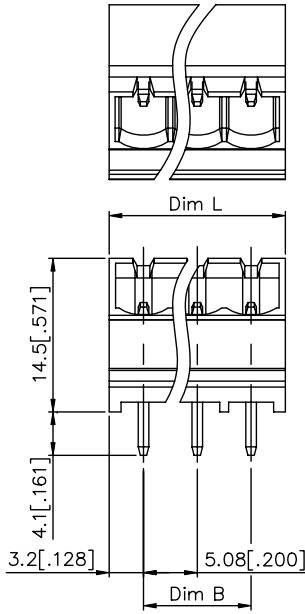


1 | 2

3 |

4

PRODUCT NUMBER	SERIES NAME	PITCH
20020130-HXXXXXLF	30-508	5.08 mm



POLE	2		3		4		5		6		7		8			
DIM.L	11.56[.455]		16.64[.655]		21.72[.855]		26.8[1.055]		31.88[1.255]		36.96[1.455]		42.04[1.655]			
DIM.B	5.08[.200]		10.16[.400]		15.24[.600]		20.32[.800]		25.4[1.000]		30.48[1.200]		35.56[1.400]			
Tol.	±0.15[.006]															
POLE	9		10		11		12		13		14		15		16	
DIM.L	47.12[1.855]		52.2[2.055]		57.28[2.255]		62.36[2.455]		67.44[2.655]		72.52[2.855]		77.6[3.055]		82.68[3.255]	
DIM.B	40.64[1.600]		45.72[1.800]		50.8[2.000]		55.88[2.200]		60.96[2.400]		66.04[2.600]		71.12[2.800]		76.2[3.000]	
Tol.	±0.25[.010]								±0.30[.012]							
POLE	17		18		19		20		21		22		23		24	
DIM.L	87.76[3.455]		92.84[3.655]		97.92[3.855]		103.0[4.055]		108.08[4.255]		113.16[4.455]		118.24[4.655]		123.32[4.855]	
DIM.B	81.28[3.200]		86.36[3.400]		91.44[3.600]		96.52[3.800]		101.6[4.000]		106.68[4.200]		111.76[4.400]		116.84[4.600]	
Tol.	±0.30[.012]															
Tol.	±0.30[.012]								±0.40[.016]							

mat'l. code	surface ASME Y14.5	tolerance ASME Y14.5	projection	product family
ltr	ecn	no	dr	date
tolerances unless otherwise specified				title
angles				MM
X±.5				[INCH]
X.X±0.3				scale
X'±1"				X.XX±0.1
dr	WENDY CHEN		062310	product family
enr	JASON HSU		062310	TERMINAL BLOCK
chr	GARY HSIEH		062310	TERMINAL BLOCK
appd	JOSEPH HSIA		062310	PLUGGABLE SIGNAL, SOCKET 45° ANGLE
sheet index	revision	sheet		dwg no
				20020130
				sheet 5 of 5
				size
				A4
				type
				CUSTOMER Drawing

form: A4mmXLc

1 |

2 |

PDM: Rev:C 3 | STATUS Released Printed: Apr 21, 2011 4