

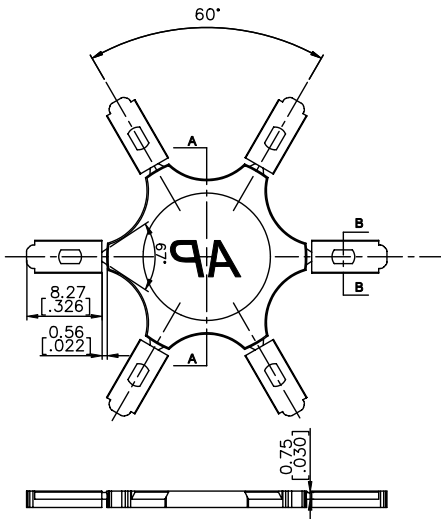
PRODUCT NUMBER  
20020802-001LF

NOTES:

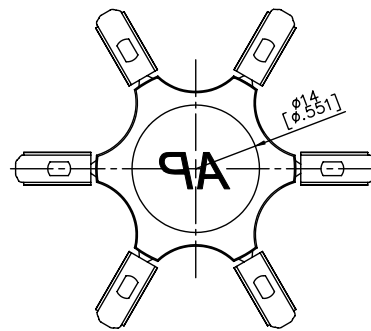
1. MATERIALS  
HOUSING: THERMALPLASTIC RESIN, UL 94V-0 RATED.
2. PRODUCT PACKING SPECIFICATION REFER TO FCI GS-14-1394.
3. THE PRODUCTS WHERE THE PART NUMBER END IN "LF" MEET THE EUROPEAN UNION DIRECTIVE AND OTHER COUNTRY REGULATIONS AS DESCRIBED IN GS-22-008.

20020802-001LF CAN BE USED FOR BELOW LIST:

FCI series name	P/N	FCI series name	P/N
27-762	20020518-MXXXXXXLF	28-1016	20020520-UXXXXXXLF
	20020519-MXXXXXXLF		20020521-UXXXXXXLF
07-762	20020618-MXXXXXXLF	29-1016	20020623-UXXXXXXLF
	20020619-MXXXXXXLF		20020624-UXXXXXXLF
	20020620-MXXXXXXLF		20020625-UXXXXXXLF
	20020621-MXXXXXXLF		20020626-UXXXXXXLF
	20020622-MXXXXXXLF		20020627-UXXXXXXLF
04-762	20020516-MXXXXXXLF		20020628-UXXXXXXLF
	20020517-MXXXXXXLF		



Sec. A-A



Section B-B

mat'l. code		surface ASME Y14.5		tolerance ASME Y14.5		projection		product family	
itr		ecn no		dr		date		TERMINAL BLOCK	
A		T10-0126		VL		080910		title	
B		T10-0182		VL		112910		TERMINAL BLOCK	
C		T11-0009		VL		021411		CODING KEY (AP SERIES)	
sheet		revision		C		C		dwg no	
index		sheet		1		2		20020802	
				3		4		sheet 1 of 5	
				5				size	
								A4	
								type	
								CUSTOMER Drawing	



Copyright FCI



FCIconnect.com



1 | 2

3

4

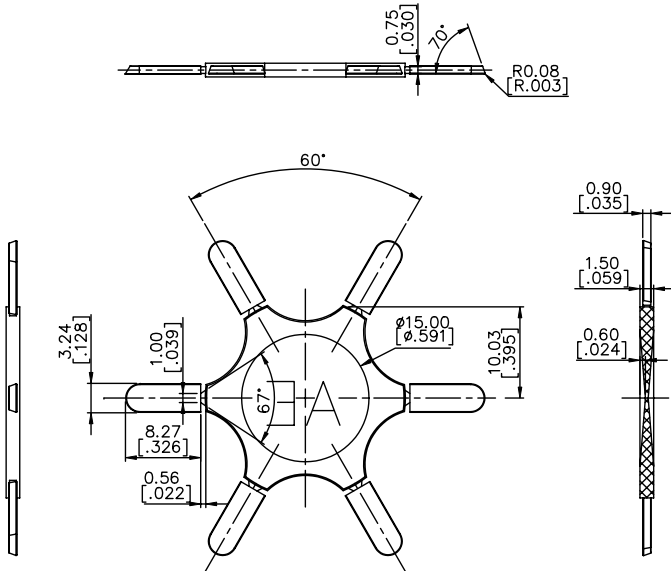
PRODUCT NUMBER  
20020802-002LF

NOTES:

1. MATERIALS  
HOUSING: THERMALPLASTIC RESIN, UL 94V-0 RATED.
2. PRODUCT PACKING SPECIFICATION REFER TO FCI GS-14-1394.
3. THE PRODUCTS WHERE THE PART NUMBER END IN "LF" MEET THE EUROPEAN UNION DIRECTIVE AND OTHER COUNTRY REGULATIONS AS DESCRIBED IN GS-22-008.

20020802-002LF CAN BE USED FOR BELOW LIST:

FCI series name	P/N	FCI series name	P/N
01-500	20020001-GXXXXXXLF	03-508	20020012-HXXXXXXLF
	20020002-GXXXXXXLF		20020013-HXXXXXXLF
	20020004-GXXXXXXLF		20020014-HXXXXXXLF
	20020005-GXXXXXXLF		20020015-HXXXXXXLF
01-508	20020007-GXXXXXXLF	03-750	20020514-LXXXXXXLF
	20020001-HXXXXXXLF	03-762	20020515-LXXXXXXLF
	20020002-HXXXXXXLF		20020514-MXXXXXXLF
	20020004-HXXXXXXLF		20020515-MXXXXXXLF
20020005-HXXXXXXLF	20020022-HXXXXXXLF		
01-750	20020007-HXXXXXXLF	32-508	20020023-HXXXXXXLF
	20020500-LXXXXXXLF		20020024-HXXXXXXLF
	20020501-LXXXXXXLF		20020025-HXXXXXXLF
01-762	20020501-MXXXXXXLF	35-500	20020026-HXXXXXXLF
	20020501-MXXXXXXLF		20020027-HXXXXXXLF
	20020008-GXXXXXXLF		20020035-GXXXXXXLF
02-500	20020009-GXXXXXXLF	35-500	20020036-GXXXXXXLF
	20020010-GXXXXXXLF		20020038-GXXXXXXLF
	20020011-GXXXXXXLF		20020039-GXXXXXXLF
	20020042-GXXXXXXLF		20020035-HXXXXXXLF
02-508	20020008-HXXXXXXLF	35-508	20020038-HXXXXXXLF
	20020009-HXXXXXXLF		20020534-LXXXXXXLF
	20020010-HXXXXXXLF		20020535-LXXXXXXLF
	20020011-HXXXXXXLF		20020536-LXXXXXXLF
02-750	20020508-LXXXXXXLF	35-750	20020537-LXXXXXXLF
	20020509-LXXXXXXLF		20020538-LXXXXXXLF
	20020510-LXXXXXXLF		20020539-LXXXXXXLF
	20020511-LXXXXXXLF		20020534-MXXXXXXLF
02-762	20020508-MXXXXXXLF	35-762	20020535-MXXXXXXLF
	20020509-MXXXXXXLF		20020536-MXXXXXXLF
	20020510-MXXXXXXLF		20020537-MXXXXXXLF
	20020511-MXXXXXXLF		20020538-MXXXXXXLF
03-500	20020012-GXXXXXXLF		20020539-MXXXXXXLF
	20020013-GXXXXXXLF		



mat'l. code		surface ASME Y14.5	tolerance ASME Y14.5	projection	product family
ltr	ecn no	dr	date	title	TERMINAL BLOCK
tolerances unless otherwise specified				MM	TERMINAL BLOCK
angles				INCH	CODING KEY (AE SERIES)
X±1°				scale	dwg no
dr WENDY CHEN 071410				FCI	sheet 2 of 5
enr JASON HSU 071410					size
chr GARY HSIEH 071410					20020802
appd JOSEPH HSIA 071410					A4
sheet index				revision sheet	type
					CUSTOMER Drawing

form: A4mmXLC

1 |

2

PDM: Rev:C 3 | STATUS:Released Printed: Feb 23, 2011 4



Copyright FCI.



FCIconnect.com



1 | 2

3 |

4

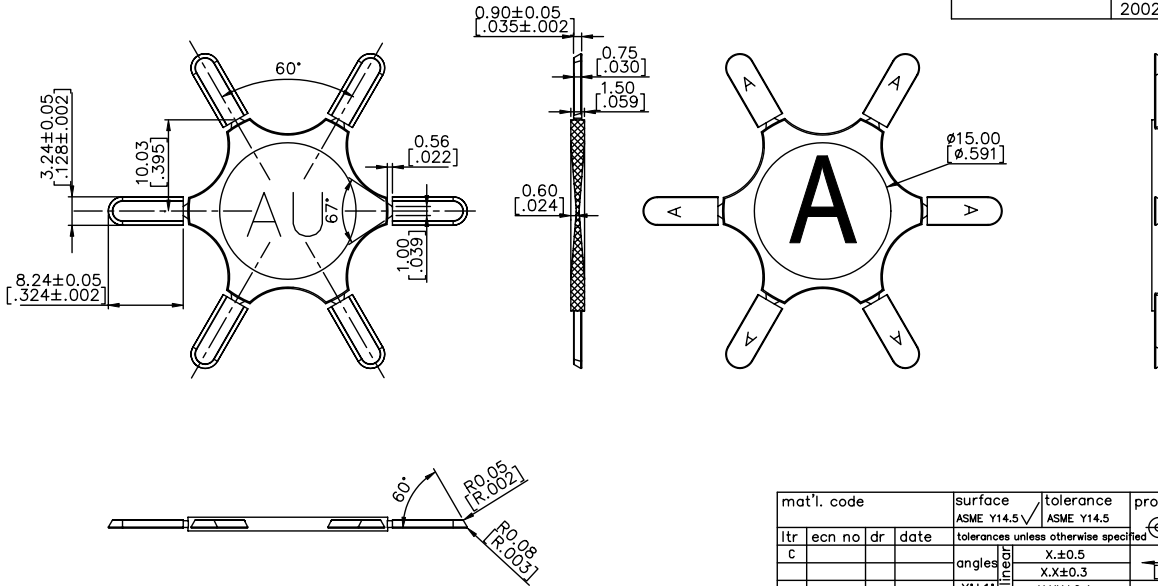
PRODUCT NUMBER  
20020802-003LF

NOTES:

1. MATERIALS  
HOUSING: THERMALPLASTIC RESIN, UL 94V-0 RATED.
2. PRODUCT PACKING SPECIFICATION REFER TO FCI GS-14-1394.
3. THE PRODUCTS WHERE THE PART NUMBER END IN "LF" MEET THE EUROPEAN UNION DIRECTIVE AND OTHER COUNTRY REGULATIONS AS DESCRIBED IN GS-22-008.

20020802-003LF CAN BE USED FOR BELOW LIST:

FCI series name	P/N
01-500	20020003-GXXXXXXLF
	20020006-GXXXXXXLF
01-508	20020003-HXXXXXXLF
	20020006-HXXXXXXLF
35-500	20020034-GXXXXXXLF
	20020037-GXXXXXXLF
35-508	20020034-HXXXXXXLF
	20020036-HXXXXXXLF
	20020037-HXXXXXXLF
	20020039-HXXXXXXLF



mat'l. code	surface ASME Y14.5	tolerance ASME Y14.5	projection	product family TERMINAL BLOCK
ltr	ecn no	dr	date	title
c	tolerances unless otherwise specified			TERMINAL BLOCK CODING KEY (AE SERIES)
	angles	X.±0.5	MM	dwg no
	X'±1"	X.X±0.3	[INCH]	sheet 3 of 5
		X.XX±0.1	scale	size
	dr	WENDY CHEN	071410	20020802
	enr	JASON HSU	071410	A4
	chr	GARY HSIEH	071410	type
	appd	JOSEPH HSIA	071410	CUSTOMER Drawing
sheet index	revision sheet			

form: A4mmXlc

1 |

2 |

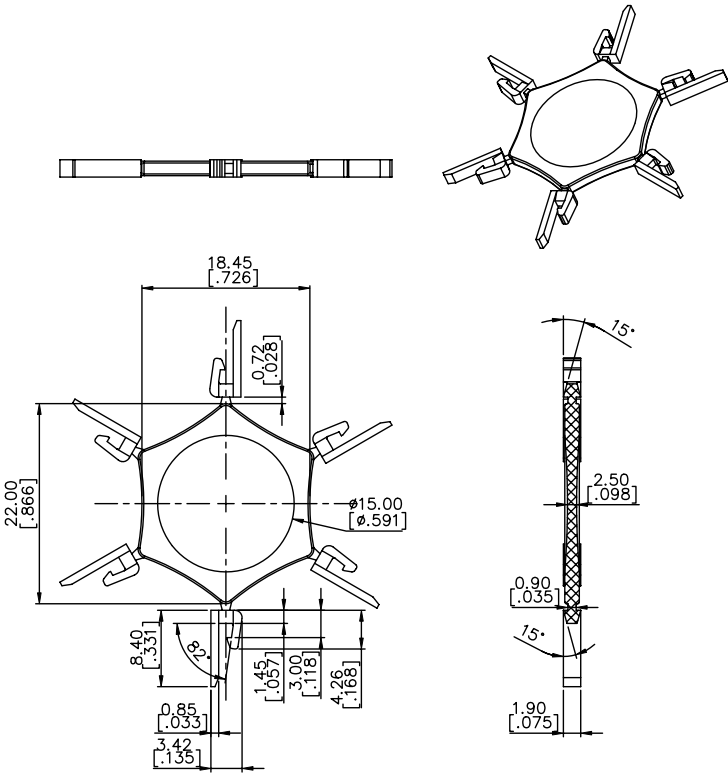
PDM: Rev:C 3 | STATUS:Released Printed: Feb 23, 2011 4

PRODUCT NUMBER  
20020802-004LF

- NOTES:
1. MATERIALS  
HOUSING: THERMALPLASTIC RESIN, UL 94V-0 RATED.
  2. PRODUCT PACKING SPECIFICATION REFER TO FCI GS-14-1394.
  3. THE PRODUCTS WHERE THE PART NUMBER END IN "LF" MEET THE EUROPEAN UNION DIRECTIVE AND OTHER COUNTRY REGULATIONS AS DESCRIBED IN GS-22-008.

20020802-004LF CAN BE USED FOR BELOW LIST:

FCI series name	P/N	FCI series name	P/N
06-500	20020106-GXXXXXXLF	06-762	20020606-MXXXXXXLF
	20020107-GXXXXXXLF		20020607-MXXXXXXLF
	20020108-GXXXXXXLF		20020608-MXXXXXXLF
	20020109-GXXXXXXLF		20020609-MXXXXXXLF
	20020110-GXXXXXXLF		20020610-MXXXXXXLF
06-508	20020111-GXXXXXXLF	20020611-MXXXXXXLF	
	20020106-HXXXXXXLF	30-500	20020129-GXXXXXXLF
	20020107-HXXXXXXLF		20020130-GXXXXXXLF
	20020108-HXXXXXXLF		20020131-GXXXXXXLF
	20020109-HXXXXXXLF	30-508	20020129-HXXXXXXLF
	20020110-HXXXXXXLF		20020130-HXXXXXXLF
20020111-HXXXXXXLF	20020131-HXXXXXXLF		
06-750	20020141-HXXXXXXLF	X	
	20020606-LXXXXXXLF		
	20020607-LXXXXXXLF		
	20020608-LXXXXXXLF		
	20020609-LXXXXXXLF		
20020610-LXXXXXXLF	20020611-LXXXXXXLF		



mat'l. code	surface ASME Y14.5	tolerance ASME Y14.5	projection	product family
ltr	ecn no	dr	date	TERMINAL BLOCK
c	tolerances unless otherwise specified			title
	angles	X.±0.5	MM	TERMINAL BLOCK CODING KEY (AF SERIES)
	X'±1"	X.X±0.3	[INCH]	
		X.XX±0.1	scale	dwg no
	dr	WENDY CHEN	071410	sheet 4 of 5
	enr	JASON HSU	071410	size
	chr	GARY HSIEH	071410	20020802
	appd	JOSEPH HSIA	071410	A4
sheet index	revision sheet			type
				CUSTOMER Drawing



1 | 2



3

4

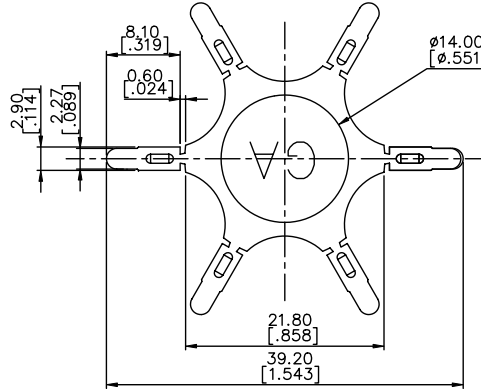
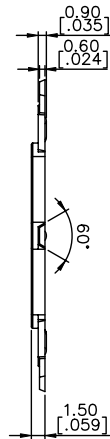
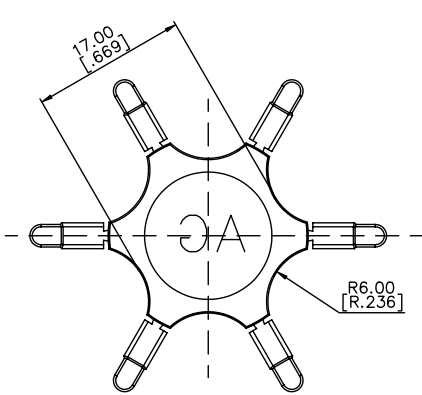
PRODUCT NUMBER  
20020802-005LF



- NOTES:
1. MATERIALS  
HOUSING: THERMALPLASTIC RESIN, UL 94V-0 RATED.
  2. PRODUCT PACKING SPECIFICATION REFER TO FCI GS-14-1394.
  3. THE PRODUCTS WHERE THE PART NUMBER END IN "LF" MEET THE EUROPEAN UNION DIRECTIVE AND OTHER COUNTRY REGULATIONS AS DESCRIBED IN GS-22-008.

20020802-005LF CAN BE USED FOR BELOW LIST:

FCI series name	P/N
06-350	20020106-CXXXXXL
	20020107-CXXXXXL
	20020108-CXXXXXL
	20020109-CXXXXXL
	20020110-CXXXXXL
	20020111-CXXXXXL
06-381	20020106-DXXXXXL
	20020107-DXXXXXL
	20020108-DXXXXXL
	20020109-DXXXXXL
	20020110-DXXXXXL
	20020111-DXXXXXL
30-350	20020129-CXXXXXL
	20020130-CXXXXXL
	20020131-CXXXXXL
30-381	20020129-DXXXXXL
	20020130-DXXXXXL
	20020131-DXXXXXL
37-381	20020132-DXXXXXL
	20020133-DXXXXXL
	20020134-DXXXXXL
	20020135-DXXXXXL
	20020136-DXXXXXL
	20020137-DXXXXXL
	20020138-DXXXXXL
39-381	20020139-DXXXXXL
	20020140-DXXXXXL



mat'l. code	surface ASME Y14.5	tolerance ASME Y14.5	projection	product family
ltr	ecn no	dr	date	TERMINAL BLOCK
tolerances unless otherwise specified				title
c	angles	X.±0.5	MM	TERMINAL BLOCK
	X.±1	X.X±0.3	[INCH]	CODING KEY (AG SERIES)
		X.XX±0.1	scale	dwg no
	dr	WENDY CHEN	071410	sheet 5 of 5
	enr	JASON HSU	071410	size
	chr	GARY HSIEH	071410	20020802
	appd	JOSEPH HSIA	071410	A4
sheet index	revision sheet			type
				CUSTOMER Drawing

form: A4mmXlc

1

2

PDM: Rev:C 3 | STATUS:Released | Printed: Feb 23, 2011 4