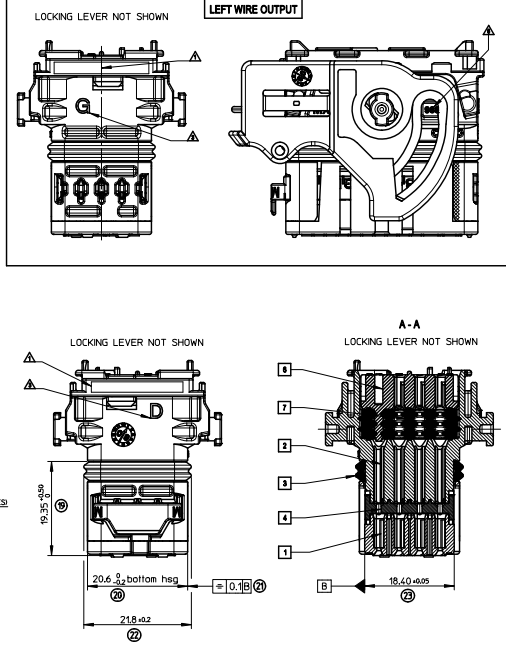
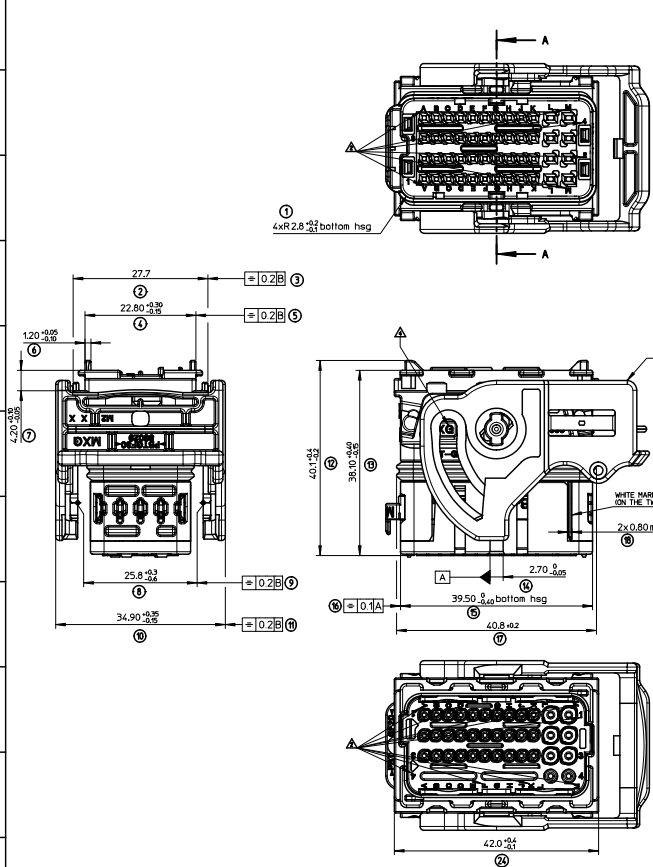


20 19 18 17 16 15 14 13 12 11 10 9 8 7 6 5 4 3 2 1



LINE N°1 CLOSED YELLOW BACK GRID VERSION		
LEFT WIRE OUTPUT		RIGHT WIRE OUTPUT
MATERIAL NUMBER	COLOR	MATERIAL NUMBER
0643202311	BLACK	0643204311
0643202319	BROWN	0643204319
		COLOR
		BLACK
		BROWN

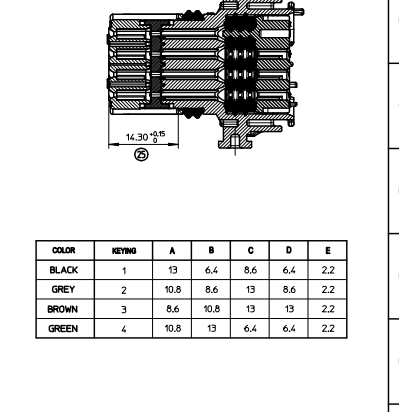
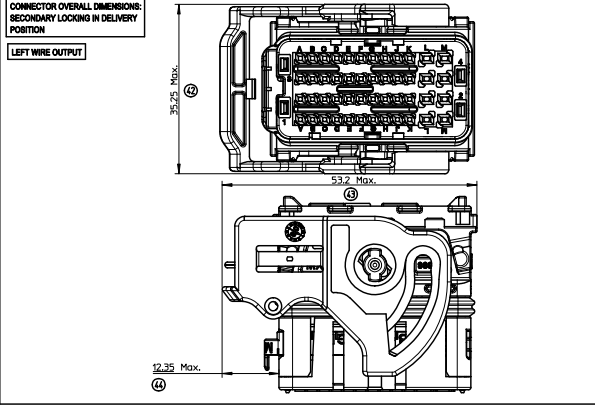
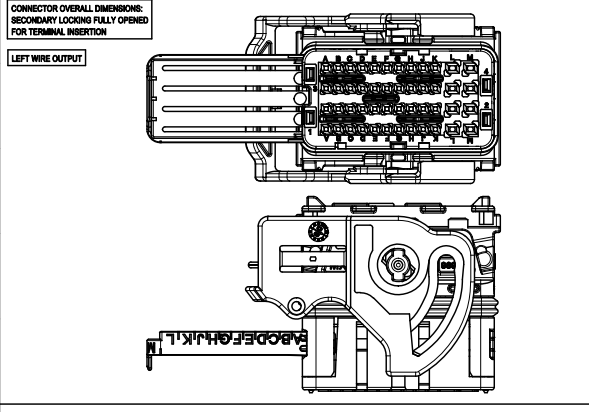
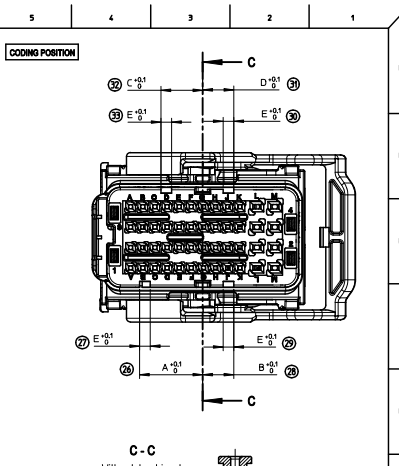
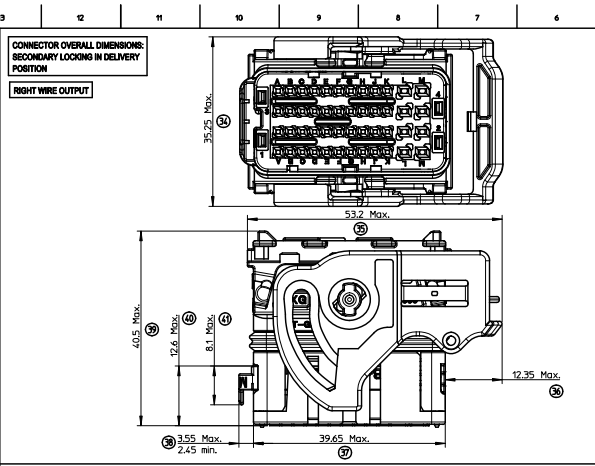
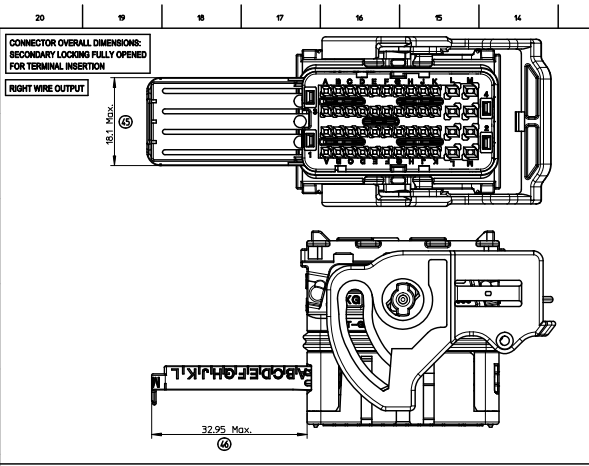
[7]	MAT SEAL	SILICON	BLUE
[8]	BACK GRID 30W	>PBT-GF20<	YELLOW
[9]	LOCKING LEVER 45W	>PBT-GF30<	BLACK
[10]	SECONDARY LOCK	>PBT-GF20<	GREY
[11]	PERIPHERAL SEAL 45W	SILICON	RED
[12]	BACK PART	>PBT-GF20<	BLACK
[13]	FRONT PART	>PBT-GF20<	COLOR LINKED TO KEYING
MATERIAL	DESIGNATION	MATERIAL	COLOR

MARKINGS :

- Assembled part traceability: Day + Year
- Terminal cavities identification
- Lever position indicator:
 - 'R' LETTER VISIBLE = Part with 'LEVER ON THE RIGHT'
 - 'L' LETTER VISIBLE = Part with 'LEVER ON THE LEFT'
- Supplier identification
- Material identification

UPDATED DRAWING LEAD DRAWING NUMBER: 2009/04/03 CHKDC: BOUCHAN APPR:	GENERAL TOLERANCES (UNLESS SPECIFIED): 4 PLACES ± 0.1 3 PLACES ± 0.1 2 PLACES ± 0.1 1 PLACE ± 0.1 ANGULAR ± 2°	DIMENSION STYLE: MM ONLY SCALE: 2.5:1 DESIGN UNITS: METRIC FIRST ANGLE PROJECTION	
	DRAWN BY: I. BADAROUX DATE: 2008/05/23 CHECKED BY: F. GRANDCLAUD DATE: 2008/05/23 APPROVED BY: C. BOUCHAN DATE: 2008/05/23	TITLE: CMC CONNECTOR 36 WAY MAT SEAL VERSION	MATERIAL NO.: SEE SHEET 2 DOCUMENT NO.: SD-64320-003
	DRAFT WHERE APPLICABLE MUST REMAIN WITHIN DIMENSIONS	SIZE: A	SHEET NO.: 1 OF 2
	THIS DRAWING CONTAINS INFORMATION THAT IS PROPRIETARY TO MOLEX INCORPORATED AND SHOULD NOT BE USED WITHOUT WRITTEN PERMISSION		

19 18 17 16 15 14 13 12 11 10 9 8 7 6 5 4 3 2 1



COLOR	KEYING	A	B	C	D	E
BLACK	1	13	6.4	8.6	6.4	2.2
GREY	2	10.8	8.6	13	8.6	2.2
BROWN	3	8.6	10.8	13	13	2.2
GREEN	4	10.8	13	6.4	6.4	2.2

TERMINALS USED					
CAVITY #	FEMALE TERMINAL (section mm2)	PLATING	MOLEX P/N	min / MAX WIRE INSULATION DIAMETER (mm)	
A1 to K1 A2 to K2 A3 to K3 A4 to K4	CP 0.6 0.35mm2	Tin plated Gold plated	0643221019 0643221229	Ø1.25 min / Ø1.40 Max	
	CP 0.6 0.5mm2	Tin plated Gold plated	0643221039 0643221239	Ø1.40 min / Ø1.70 Max	
	CP 0.6 0.75mm2	Tin plated Gold plated	0643221029 0643221219	Ø1.60 min / Ø1.90 Max	
	L1 to L4 H1 to H4	CP 15 0.5mm2 to 1mm2	Tin plated Gold plated	0643231029 0643231319	Ø1.40 min / Ø2.15 Max
	CP 15 >1mm2 to 2mm2	Tin plated Gold plated	0643231039 0643231219	Ø2.10 min / Ø2.80 Max	

UPDATED DRAWING
 L1: 08/08/05
 L2: 08/08/05
 L3: 08/08/05
 L4: 08/08/05
 L5: 08/08/05
 L6: 08/08/05
 L7: 08/08/05
 L8: 08/08/05
 L9: 08/08/05
 L10: 08/08/05
 L11: 08/08/05
 L12: 08/08/05
 L13: 08/08/05
 L14: 08/08/05
 L15: 08/08/05
 L16: 08/08/05
 L17: 08/08/05
 L18: 08/08/05
 L19: 08/08/05
 L20: 08/08/05

GENERAL TOLERANCES (UNLESS SPECIFIED):

	mm	INCH
4 PLACES +	---	---
3 PLACES +	---	---
2 PLACES +	---	---
1 PLACE +	---	---

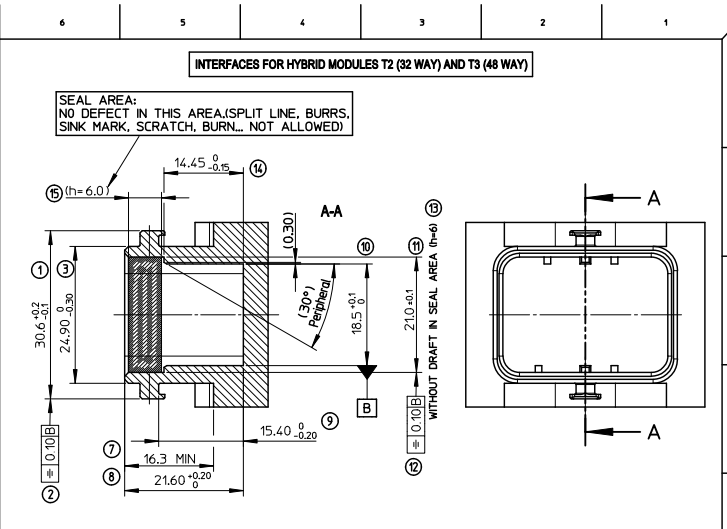
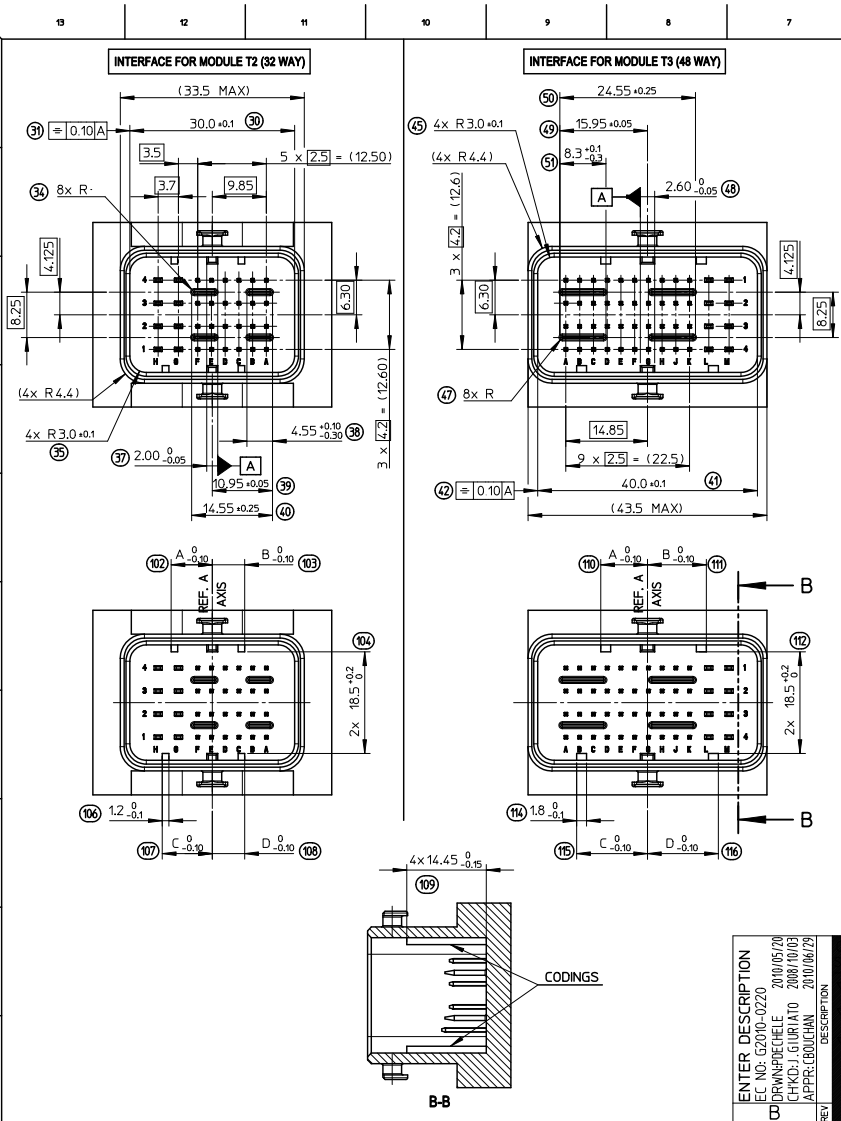
ANGULAR ± 2 °

DRAFT WHERE APPLICABLE
MUST REMAIN
WITHIN DIMENSIONS

SEE CHART SH.2

THIS DRAWING CONTAINS INFORMATION THAT IS PROPRIETARY TO MOLEX INCORPORATED AND SHOULD NOT BE USED WITHOUT WRITTEN PERMISSION

MOLEX INCORPORATED
 SD-64320-003
 2 OF 2



HEADERS CODINGS

(CODING 2 SHOWN)

HEADER'S CODINGS FOR MODULE T2 (32W)					
COLOR	CODING	DIM. A	DIM. B	DIM. C	DIM. D
BLACK	1	9.1	4.3	5.9	4.3
GREY	2	7.5	5.9	9.1	5.9
BROWN	3	5.9	7.5	9.1	9.1
GREEN	4	7.5	9.1	4.3	4.3
BLUE	5	4.3	7.5	5.9	5.9
YELLOW	6	9.1	7.5	4.3	7.5

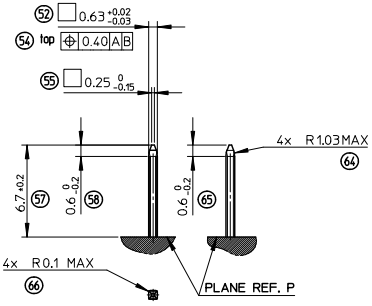
(CODING 3 SHOWN)

HEADER'S CODINGS FOR MODULE T3 (48W)					
COLOR	CODING	DIM. A	DIM. B	DIM. C	DIM. D
BLACK	1	12.9	6.3	8.5	6.3
GREY	2	10.7	8.5	12.9	8.5
BROWN	3	8.5	10.7	12.9	12.9
GREEN	4	10.7	12.9	6.3	6.3
BLUE	5	6.3	10.7	8.5	8.5
YELLOW	6	12.9	10.7	6.3	10.7

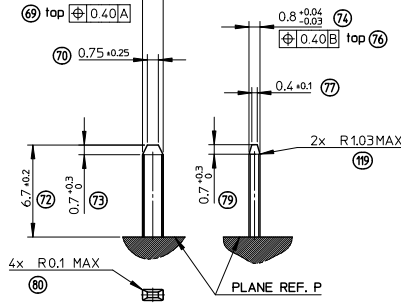
NOTE:
 1- INTERFACE DEFINITION BASED ON NFR13-462 STANDARD.
 2- HEADER: ELASTICITY MODULUS: 8000Mpa min.
 (INITIAL CONDITION BEFORE AGEING)

ENTER DESCRIPTION EC NO: G2010-0220 DRAWN BY: G. DESBRUERES CHKD: J. GIURIATO APPR: C. BOUCHAN	GENERAL TOLERANCES (UNLESS SPECIFIED) mm INCH 4 PLACES ± --- ± --- 3 PLACES ± 0.10 ± --- 2 PLACES ± 0.10 ± --- 1 PLACE ± 0.10 ± --- ANGULAR ± 2°	DIMENSION STYLE MM ONLY DRAWN BY: G. DESBRUERES CHECKED BY: J. GIURIATO APPROVED BY: O. PLESSIS DATE: 2008/10/02 DATE: 2008/10/03 DATE: 2008/10/06	SCALE 2:1 DESIGN UNITS METRIC FIRST ANGLE PROJECTION	TITLE INTERFACES FOR CONNECTOR 32 & 48 CKT CMC GENERIC SALES DRAWING MOLEX INCORPORATED	SHEET NO. 1 OF 3
	DRAFT WHERE APPLICABLE MUST REMAIN WITHIN DIMENSIONS	MATERIAL NO. N/A	DOCUMENT NO. SD-98644-006	MOLEX INCORPORATED	THIS DRAWING CONTAINS INFORMATION THAT IS PROPRIETARY TO MOLEX INCORPORATED AND SHOULD NOT BE USED WITHOUT WRITTEN PERMISSION

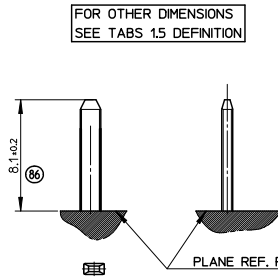
PINS 0.635 DEFINITION
5:1



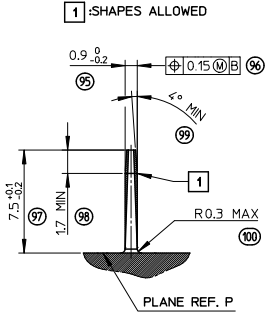
TABS 1.5 DEFINITION
5:1



GROUND TABS 1.5 DEFINITION
5:1

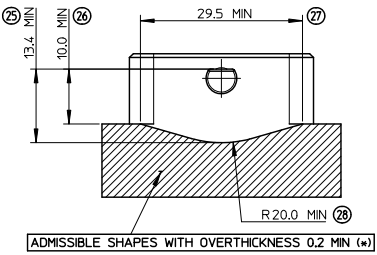


PROTECTION WALL DEFINITION
5:1

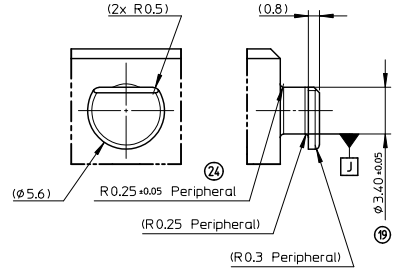


LOCKING AXIS PROTECTION
2:1

MANDATORY OVERTHICKNESS: dimension noted (*) IF THE LOCKING AXIS ARE OUT OF EQUIPMENT OVERALL DIMENSIONS.



LOCKING AXIS DEFINITION
5:1

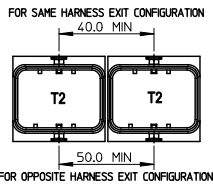


ENTER DESCRIPTION IEC NO. G2010-0220 DRAWN BY: G. DESBRUERES CHKD.: J. GIURIATO APPR.: E. BOLLICHAN	GENERAL TOLERANCES (UNLESS SPECIFIED)		DIMENSION STYLE MM ONLY	SCALE 1:1	DESIGN UNITS METRIC	FIRST ANGLE PROJECTION	
	4 PLACES ± --- ± --- 3 PLACES ± --- ± --- 2 PLACES ± 0.10 ± --- 1 PLACE ± 0.10 ± ---	INCH ± --- ± --- ± --- ± --- ± --- ± ---	DRAWN BY G. DESBRUERES	DATE 2008/10/02	TITLE INTERFACES FOR CONNECTOR 32 & 48 CKT CMC GENERIC SALES DRAWING		
	ANGULAR ± 2 °		CHECKED BY J. GIURIATO	DATE 2008/10/03	MOLEX INCORPORATED		
	DRAFT WHERE APPLICABLE MUST REMAIN WITHIN DIMENSIONS		APPROVED BY D. PLESSIS	DATE 2008/10/06	MATERIAL NO. N/A	DOCUMENT NO. SD-98644-006	SHEET NO. 2 OF 3

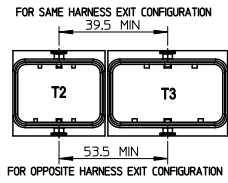
CONNECTOR ON HEADER - OVERALL DIMENSIONS

MULTI-HEADERS LAYOUT

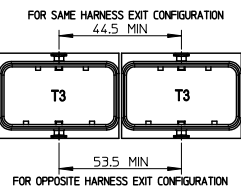
LAYOUT FOR TWO INTERFACES T2 (32W)



LAYOUT FOR TWO INTERFACES T2 (32W) AND T3 (48W)



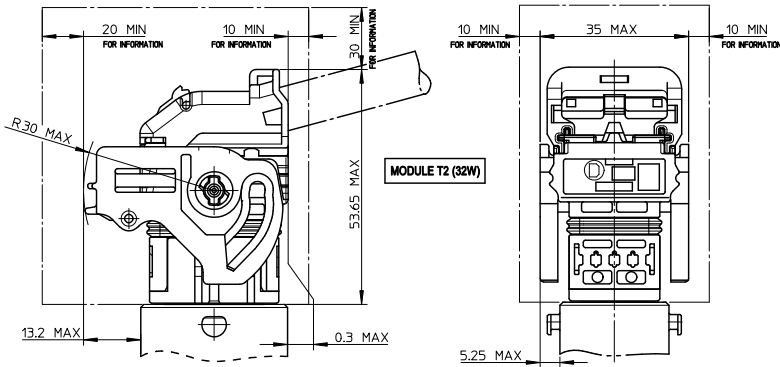
LAYOUT FOR TWO INTERFACES T3 (48W)



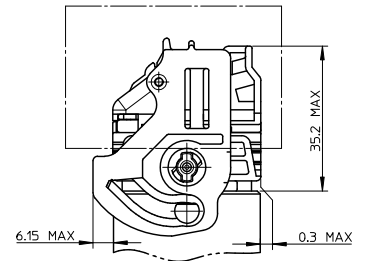
LEGEND:

FREE VOLUME FOR MANUAL LOCKING AND UNLOCKING DIMENSIONS GIVEN FOR INFORMATION ONLY TO BE CONFIRMED BASED UPON VEHICLE CONFIGURATION.

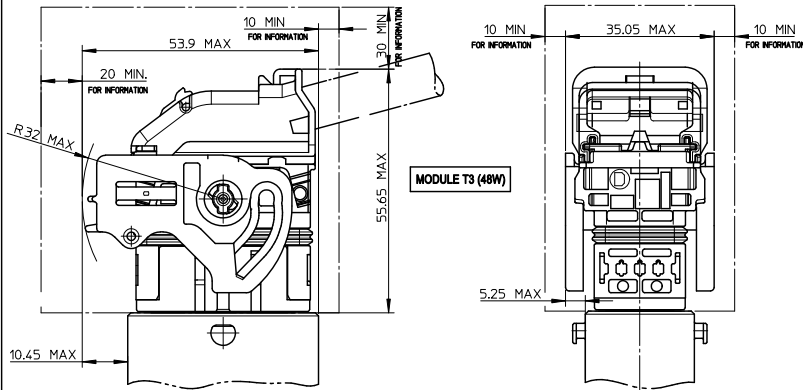
UNLOCKED CONNECTOR - OVERALL DIMENSIONS



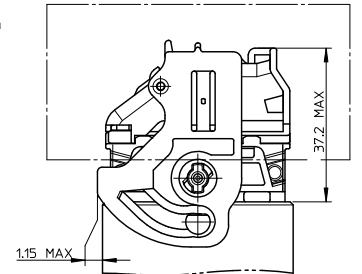
LOCKED CONNECTOR - OVERALL DIMENSIONS



UNLOCKED CONNECTOR - OVERALL DIMENSIONS



LOCKED CONNECTOR - OVERALL DIMENSIONS



NOTE:
1- T2 = 32 WAY / T3 = 48 WAY

ENTER DESCRIPTION	DATE
EC NO: G2010-0220	2010/05/20
DRW: PACHELE	2008/10/03
CHKD: J. GIURIATO	2008/10/03
APPR: BOUCHAN	2010/06/29

GENERAL TOLERANCES (UNLESS SPECIFIED)

	mm	INCH
4 PLACES	± 0.10	± 0.004
3 PLACES	± 0.15	± 0.006
2 PLACES	± 0.20	± 0.008
1 PLACE	± 0.30	± 0.012
ANGULAR ± 2°		

DRAFT WHERE APPLICABLE MUST REMAIN WITHIN DIMENSIONS

DIMENSION STYLE

MM ONLY	DATE
DRAWN BY	G. DESBRUERES
CHECKED BY	J. GIURIATO
APPROVED BY	O. PLESSIS

SCALE

1:1

DESIGN UNITS

METRIC

FIRST ANGLE PROJECTION

TITLE: INTERFACES FOR CONNECTOR 32 & 48 CKT CMC
GENERIC SALES DRAWING

MOLEX INCORPORATED
MATERIAL NO. N/A
DOCUMENT NO. SD-98644-006

SHEET NO. 3 OF 3