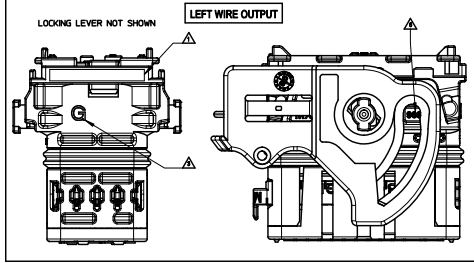
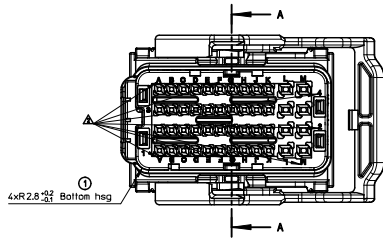
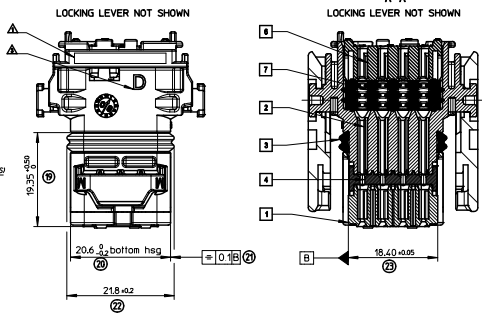
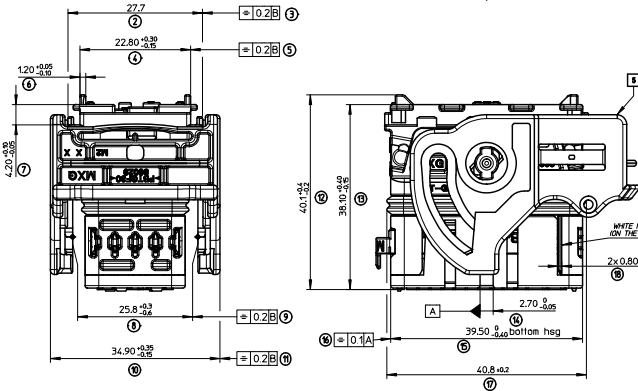


20 19 18 17 16 15 14 13 12 11 10 9 8 7 6 5 4 3 2 1



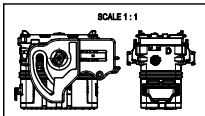
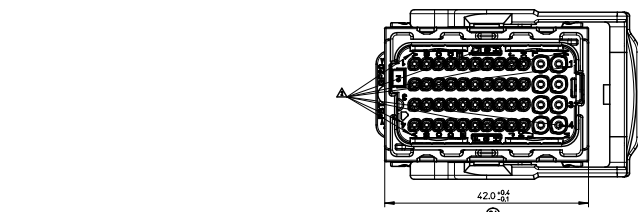
**LEFT WIRE OUTPUT**

| MATERIAL NUMBER | COLOR |
|-----------------|-------|
| 064320311       | BLACK |
| 064320318       | GREY  |
| 064320319       | BROWN |
| 064320315       | GREEN |



**RIGHT WIRE OUTPUT**

| MATERIAL NUMBER | COLOR |
|-----------------|-------|
| 064320311       | BLACK |
| 064320318       | GREY  |
| 064320319       | BROWN |
| 064320315       | GREEN |



- NOTES:**
- FOR ILLUSTRATION PURPOSE THE FEMALE HOUSING SHOWN IS THE RIGHT WIRE OUTPUT VERSION CODING 1
  - APPLICATION SPECIFICATION: AS-6439-001
  - WIRES EXTERNAL DIAMETER USED: FOR CP06 TERMINAL USE WIRES WITH AN EXTERNAL DIAMETER BETWEEN #129MM MIN AND #190MM MAX FOR CP15 TERMINAL USE WIRES WITH AN EXTERNAL DIAMETER BETWEEN #160MM MIN AND #250MM MAX
  - THE CONNECTOR FITS WITH WIRE CAP (48 WAY) MOLEX P/N 0643201901
  - BLIND PLUG FOR 0.6 AND 1.5 CAVITIES MOLEX P/N 0643251010 AND 0643251023 MUST BE USED ON THIS PART.
  - DELIVERED PRODUCT WEIGHT: 33.8 g

| REF. | DESIGNATION         | MATERIAL   | COLOR                  |
|------|---------------------|------------|------------------------|
| 17   | MAT SEAL            | Silicon    | BLUE                   |
| 16   | BACK GRID 48W       | >PBT-GF20+ | GREY                   |
| 15   | LOCKING LEVER 48W   | >PBT-GF30+ | BLACK                  |
| 14   | SECONDARY LOCK      | >PBT-GF20+ | GREY                   |
| 13   | PERIPHERAL SEAL 48W | Silicon    | RED                    |
| 12   | BACK PART           | >PBT-GF20+ | BLACK                  |
| 11   | FRONT PART          | >PBT-GF20+ | COLOR LINKED TO KEYING |

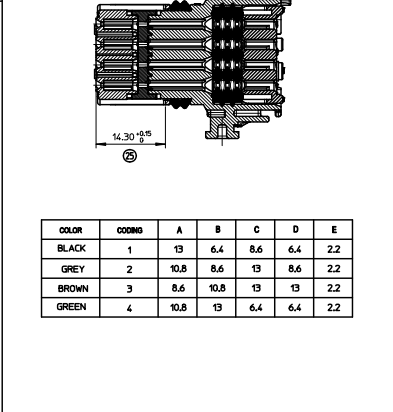
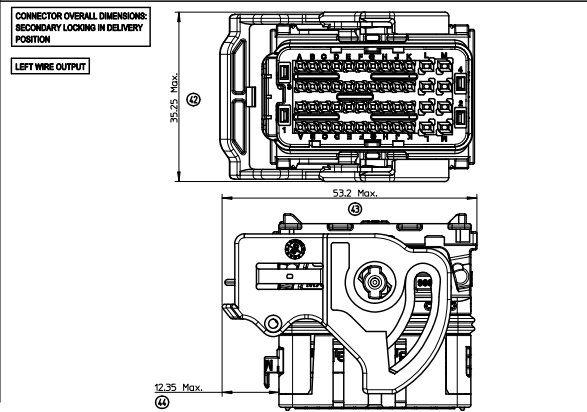
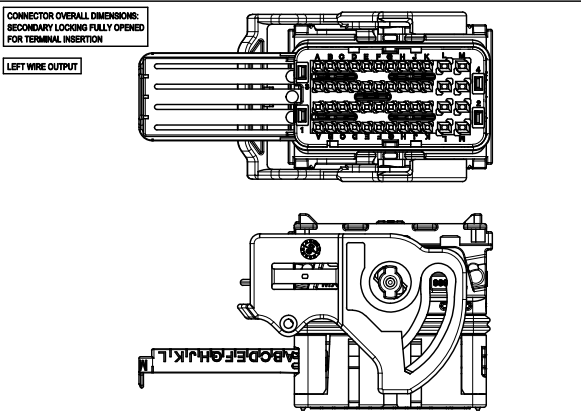
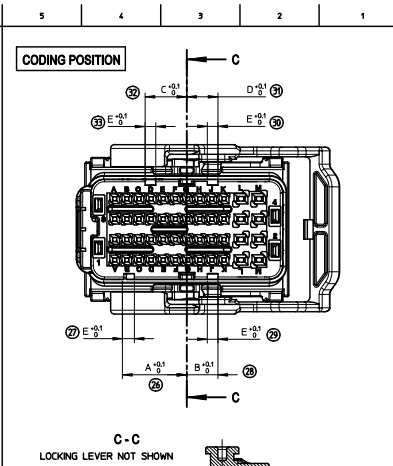
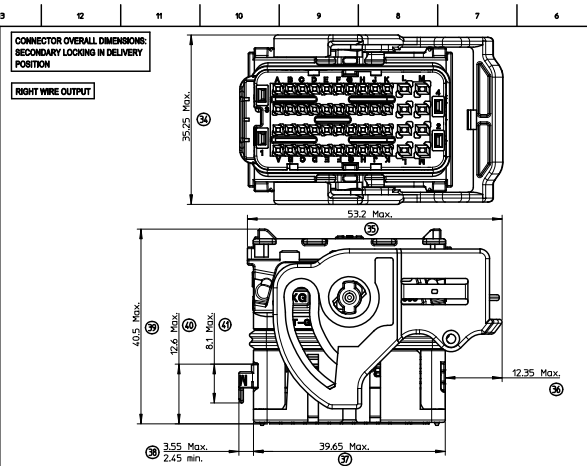
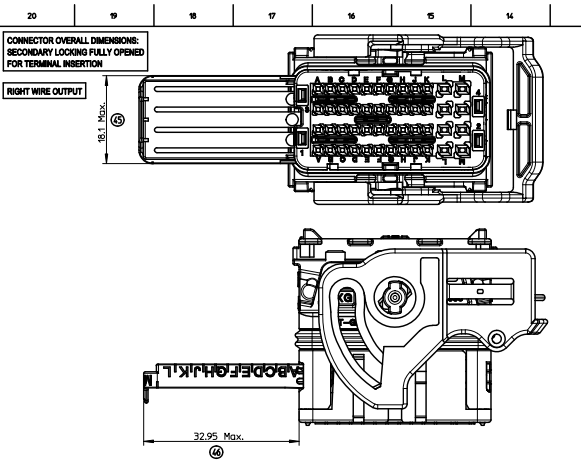
**MARKINGS:**

- ▲ - Assembled part traceability Day + Year
- ▲ - Terminal cavities identification
- ▲ - Lever position indicator: 'R' LETTER VISIBLE: part with 'LEVER ON THE RIGHT' 'L' LETTER VISIBLE: part with 'LEVER ON THE LEFT'
- ▲ - Supplier identification
- ▲ - Material identification

|  |                            |  |  |  |   |                                   |
|--|----------------------------|--|--|--|---|-----------------------------------|
| <b>ENTERED DESCRIPTION</b><br>ELC NUS 02000 0205<br>C/DRANPREHELE 2010/08/07<br>CH/KOP GRANDCLAUD 2007/07/16<br>J/APPELOUBAUM 2010/07/07 | <b>QUALITY SYMBOLS</b><br> | <b>GENERAL TOLERANCES (UNLESS SPECIFIED)</b>   | <b>DIMENSION STYLE</b><br>MM ONLY  | <b>SCALE</b><br>2.5:1                        | <b>DESIGN UNITS</b><br>METRIC                           | <b>FIRST ANGLE PROJECTION</b><br> |
|  |                            | 4 PLACES ± 0.1 ± 0.1<br>3 PLACES ± 0.1 ± 0.1<br>2 PLACES ± 0.1 ± 0.1<br>1 PLACE ± 0.1 ± 0.1<br>ANGULAR ± 2 ° | DRAWN BY: T. BADAROUX 2007/07/16<br>CHECKED BY: P. GRANDCLAUD 2007/07/16<br>APPROVED BY: C. BOUCHAN 2007/07/16 | TITLE: CMC CONNECTOR 48 WAY MAT SEAL VERSION | MATERIAL NO.: SEE SHEET 2<br>DOCUMENT NO.: SD-64320-001 | SHEET NO.: 1 OF 2                 |

MOLEX INCORPORATED

THIS DRAWING CONTAINS INFORMATION THAT IS PROPRIETARY TO MOLEX INCORPORATED AND SHOULD NOT BE USED WITHOUT WRITTEN PERMISSION



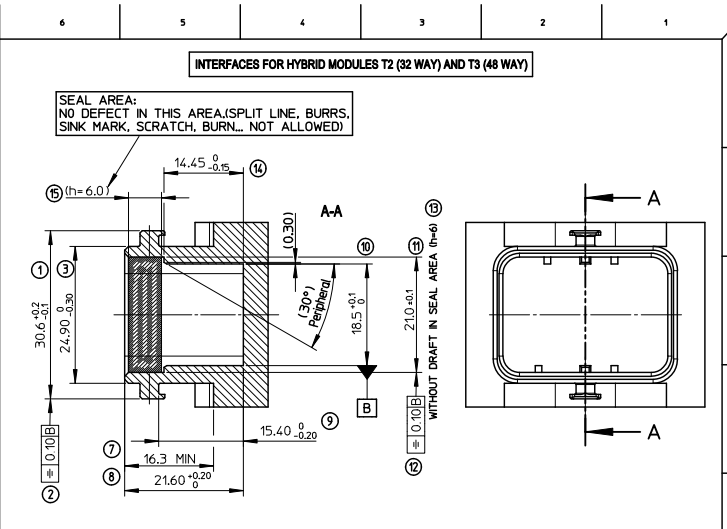
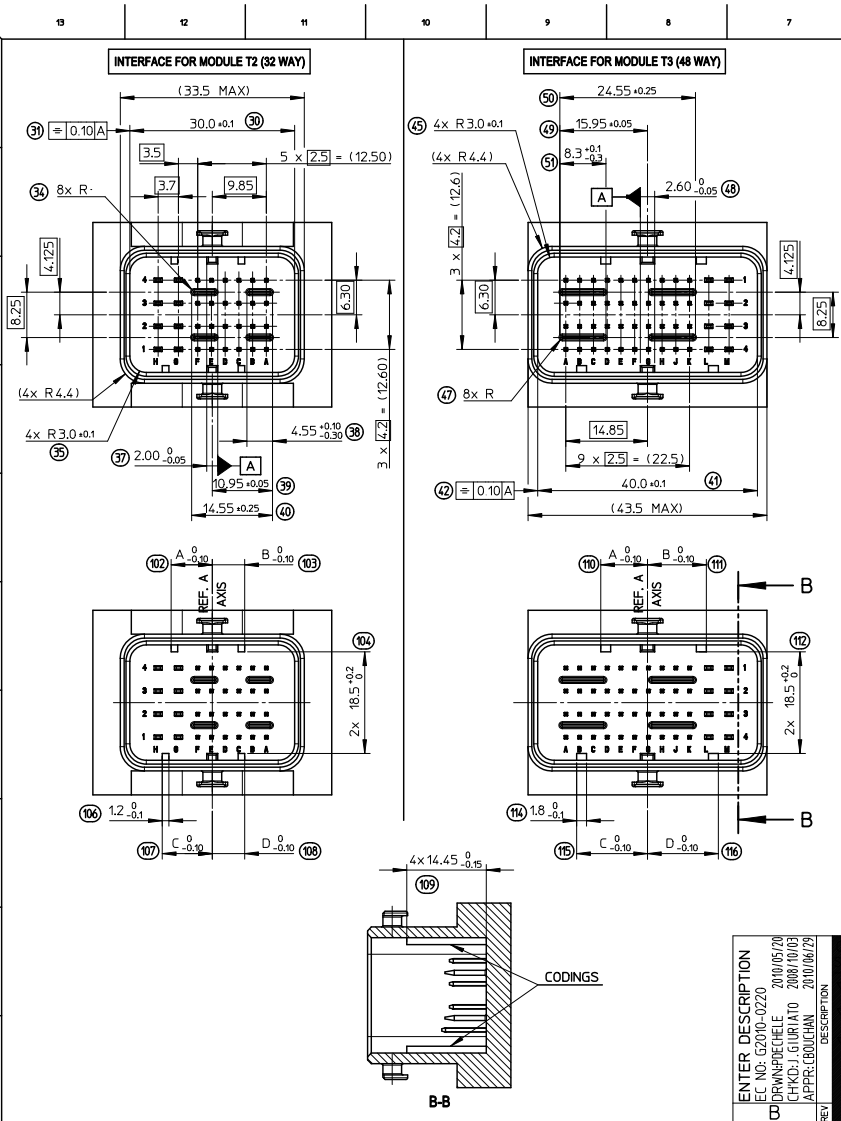
| COLOR | CODING | A    | B    | C   | D   | E   |
|-------|--------|------|------|-----|-----|-----|
| BLACK | 1      | 13   | 6.4  | 8.6 | 6.4 | 2.2 |
| GREY  | 2      | 10.8 | 8.6  | 13  | 8.6 | 2.2 |
| BROWN | 3      | 8.6  | 10.8 | 13  | 13  | 2.2 |
| GREEN | 4      | 10.8 | 13   | 6.4 | 6.4 | 2.2 |

**TERMINALS USED**

| CAVITY # | FEMALE TERMINAL (Surface area)                  | PLATING     | MOLEX P/N* | min / MAX WIRE INSULATION DIAMETER (mm) |
|----------|---|-------------|------------|---|
| A1 to K1 | CP 0.6<br>0.35mm <sup>2</sup>                   | Tin plated  | 0643221019 | Ø1.25 min / Ø1.40 Max                   |
|          |   | Gold plated | 0643221229 |   |
| A2 to K2 | CP 0.6<br>0.5mm <sup>2</sup>                    | Tin plated  | 0643221039 | Ø1.40 min / Ø1.70 Max                   |
|          |   | Gold plated | 0643221239 |   |
| A3 to K3 | CP 0.6<br>0.75mm <sup>2</sup>                   | Tin plated  | 0643221029 | Ø1.60 min / Ø1.90 Max                   |
|          |   | Gold plated | 0643221219 |   |
| L1 to L4 | CP 15<br>0.5mm <sup>2</sup> to 1mm <sup>2</sup> | Tin plated  | 0643231029 | Ø1.40 min / Ø2.15 Max                   |
|          |   | Gold plated | 0643231319 |   |
| M1 to M4 | CP 15<br>>1mm <sup>2</sup> to 2mm <sup>2</sup>  | Tin plated  | 0643231039 | Ø2.10 min / Ø2.80 Max                   |
|          |   | Gold plated | 0643231219 |   |

|   |                            |  |  |   |                                       |  |
|---|----------------------------|--|--|---|---------------------------------------|--|
| <b>ENTER DESCRIPTION</b><br>06432025<br>CHANGERELE 2010/06/07<br>CHKDP GRANDCLAUD 2007/07/16<br>APPR:BOUCHAN 2010/07/07 | <b>QUALITY SYMBOLS</b><br> | <b>GENERAL TOLERANCES (UNLESS SPECIFIED)</b><br>4 PLACES +--- +---<br>3 PLACES +--- +---<br>2 PLACES +0.1 +---<br>1 PLACE ±0.1 ±---<br>ANGULAR ± 2 ° | <b>DIMENSION STYLE</b><br>MM ONLY  | <b>SCALE</b><br>2.5:1                                 | <b>DESIGN UNITS</b><br>METRIC         | <input checked="" type="checkbox"/> FIRST ANGLE PROJECTION |
|   |                            |  | DRAWN BY: T. BADAROUX 2007/07/16<br>CHECKED BY: P. GRANDCLAUD 2007/07/16<br>APPROVED BY: C. BOUCHAN 2007/07/16 | <b>TITLE</b><br>CMC CONNECTOR 48 WAY MAT SEAL VERSION | <b>MATERIAL NO.</b><br>SEE CHART SH12 | <b>DOCUMENT NO.</b><br>SD-64320-001                        |

h. Irace, A1\_P\_AHF  
Rev. F 2009/06/18



**HEADERS CODINGS**

(CODING 2 SHOWN)

| HEADER'S CODINGS FOR MODULE T2 (32W) |        |        |        |        |        |
|--------------------------------------|--------|--------|--------|--------|--------|
| COLOR                                | CODING | DIM. A | DIM. B | DIM. C | DIM. D |
| BLACK                                | 1      | 9.1    | 4.3    | 5.9    | 4.3    |
| GREY                                 | 2      | 7.5    | 5.9    | 9.1    | 5.9    |
| BROWN                                | 3      | 5.9    | 7.5    | 9.1    | 9.1    |
| GREEN                                | 4      | 7.5    | 9.1    | 4.3    | 4.3    |
| BLUE                                 | 5      | 4.3    | 7.5    | 5.9    | 5.9    |
| YELLOW                               | 6      | 9.1    | 7.5    | 4.3    | 7.5    |

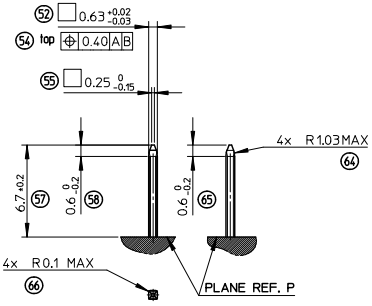
(CODING 3 SHOWN)

| HEADER'S CODINGS FOR MODULE T3 (48W) |        |        |        |        |        |
|--------------------------------------|--------|--------|--------|--------|--------|
| COLOR                                | CODING | DIM. A | DIM. B | DIM. C | DIM. D |
| BLACK                                | 1      | 12.9   | 6.3    | 8.5    | 6.3    |
| GREY                                 | 2      | 10.7   | 8.5    | 12.9   | 8.5    |
| BROWN                                | 3      | 8.5    | 10.7   | 12.9   | 12.9   |
| GREEN                                | 4      | 10.7   | 12.9   | 6.3    | 6.3    |
| BLUE                                 | 5      | 6.3    | 10.7   | 8.5    | 8.5    |
| YELLOW                               | 6      | 12.9   | 10.7   | 6.3    | 10.7   |

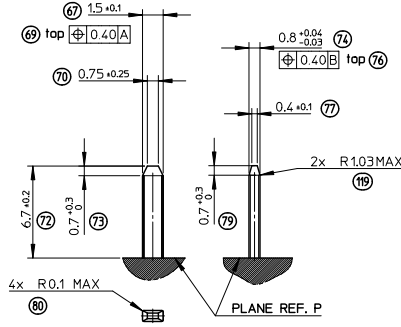
**NOTE:**  
 1- INTERFACE DEFINITION BASED ON NFR13-462 STANDARD.  
 2- HEADER: ELASTICITY MODULUS: 8000Mpa min.  
 (INITIAL CONDITION BEFORE AGEING)

|   |   |  |   |   |  |
|---|---|--|---|---|--|
| <b>ENTER DESCRIPTION</b><br>EC NO: G2010-0220<br>DRAWN BY: G. DESBRUERES<br>CHKD: J. GIURIATO<br>APPR: C. BOUCHAN | <b>GENERAL TOLERANCES (UNLESS SPECIFIED)</b><br>mm INCH<br>4 PLACES ± --- ± ---<br>3 PLACES ± 0.10 ± ---<br>2 PLACES ± 0.10 ± ---<br>1 PLACE ± 0.10 ± ---<br>ANGULAR ± 2° | <b>DIMENSION STYLE</b><br>MM ONLY<br>DRAWN BY: G. DESBRUERES<br>CHECKED BY: J. GIURIATO<br>APPROVED BY: O. PLESSIS<br>DATE: 2008/10/02<br>DATE: 2008/10/03<br>DATE: 2008/10/06 | <b>SCALE</b><br>2:1<br><b>DESIGN UNITS</b><br>METRIC<br><b>FIRST ANGLE PROJECTION</b> | <b>TITLE</b><br>INTERFACES FOR CONNECTOR<br>32 & 48 CKT CMC<br>GENERIC SALES DRAWING<br><b>MOLEX INCORPORATED</b> | <b>SHEET NO.</b><br>1 OF 3   |
|   | <b>DRAFT WHERE APPLICABLE MUST REMAIN WITHIN DIMENSIONS</b>   | <b>MATERIAL NO.</b><br>N/A   | <b>DOCUMENT NO.</b><br>SD-98644-006   | <b>MOLEX INCORPORATED</b>   | <b>THIS DRAWING CONTAINS INFORMATION THAT IS PROPRIETARY TO MOLEX INCORPORATED AND SHOULD NOT BE USED WITHOUT WRITTEN PERMISSION</b> |
|   | <b>REVISIONS</b>  |  |   |   |  |
|   | <b>DATE</b>   |  |   |   |  |

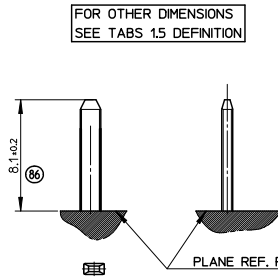
**PINS 0.635 DEFINITION**  
5:1



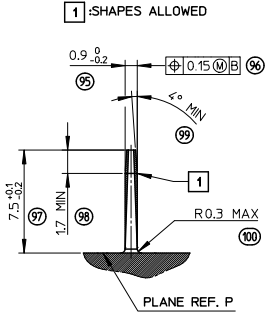
**TABS 1.5 DEFINITION**  
5:1



**GROUND TABS 1.5 DEFINITION**  
5:1

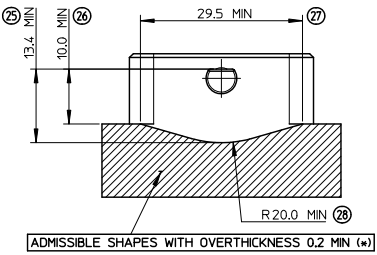


**PROTECTION WALL DEFINITION**  
5:1



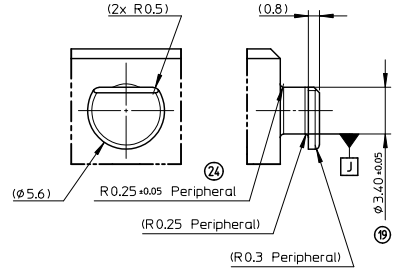
**LOCKING AXIS PROTECTION**  
2:1

MANDATORY OVERTHICKNESS: dimension noted (\*) IF THE LOCKING AXIS ARE OUT OF EQUIPMENT OVERALL DIMENSIONS.



ADMISSIBLE SHAPES WITH OVERTHICKNESS 0.2 MIN (\*)

**LOCKING AXIS DEFINITION**  
5:1



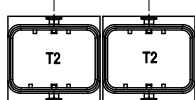
|  |  |                      |                       |                      |   |                        |   |
|--|--|----------------------|-----------------------|----------------------|---|------------------------|---|
| <b>ENTER DESCRIPTION</b><br>IEC NO. G2010-0220<br>DRAWN BY: G. DESBRUERES<br>CHKD.: J. GIURIATO<br>APPR.: E. BOUCHAN | GENERAL TOLERANCES (UNLESS SPECIFIED)                |                      | DIMENSION STYLE       | SCALE                | DESIGN UNITS  | FIRST ANGLE PROJECTION |   |
|  |  |                      | MM ONLY               | 1:1                  | METRIC  |                        |   |
|  | 4 PLACES ± --- ± ---                                 | 3 PLACES ± --- ± --- | 2 PLACES ± 0.10 ± --- | 1 PLACE ± 0.10 ± --- | DRAWN BY: G. DESBRUERES<br>DATE: 2008/10/02<br>CHECKED BY: J. GIURIATO<br>DATE: 2008/10/03<br>APPROVED BY: D. PLESSIS<br>DATE: 2008/10/06 |                        | TITLE<br>INTERFACES FOR CONNECTOR<br>32 & 48 CKT CMC<br>GENERIC SALES DRAWING<br>MOLEX INCORPORATED |
|  | ANGULAR ± 2 °  |                      | MATERIAL NO. N/A      |                      | DOCUMENT NO. SD-98644-006   | SHEET NO. 2 OF 3       |   |
|  | DRAFT WHERE APPLICABLE MUST REMAIN WITHIN DIMENSIONS |                      | SIZE A                |                      | THIS DRAWING CONTAINS INFORMATION THAT IS PROPRIETARY TO MOLEX INCORPORATED AND SHOULD NOT BE USED WITHOUT WRITTEN PERMISSION             |                        |   |

# CONNECTOR ON HEADER - OVERALL DIMENSIONS

## MULTI-HEADERS LAYOUT

### LAYOUT FOR TWO INTERFACES T2 (32W)

FOR SAME HARNESS EXIT CONFIGURATION  
40.0 MIN

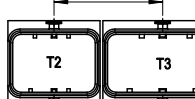


FOR OPPOSITE HARNESS EXIT CONFIGURATION  
50.0 MIN



### LAYOUT FOR TWO INTERFACES T2 (32W) AND T3 (48W)

FOR SAME HARNESS EXIT CONFIGURATION  
39.5 MIN

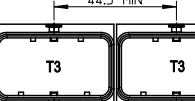


FOR OPPOSITE HARNESS EXIT CONFIGURATION  
53.5 MIN

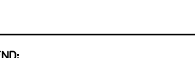


### LAYOUT FOR TWO INTERFACES T3 (48W)

FOR SAME HARNESS EXIT CONFIGURATION  
44.5 MIN



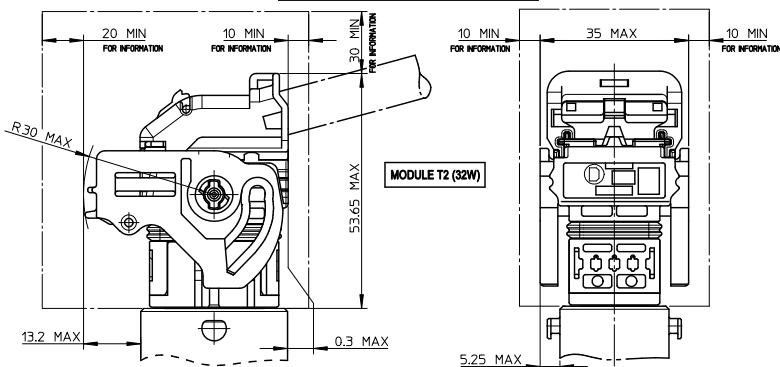
FOR OPPOSITE HARNESS EXIT CONFIGURATION  
53.5 MIN



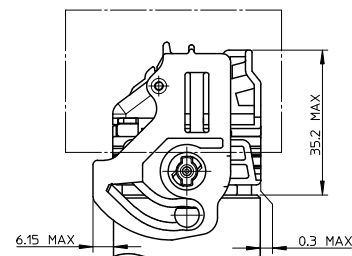
### LEGEND:

FREE VOLUME FOR MANUAL LOCKING AND UNLOCKING DIMENSIONS GIVEN FOR INFORMATION ONLY TO BE CONFIRMED BASED UPON VEHICLE CONFIGURATION.

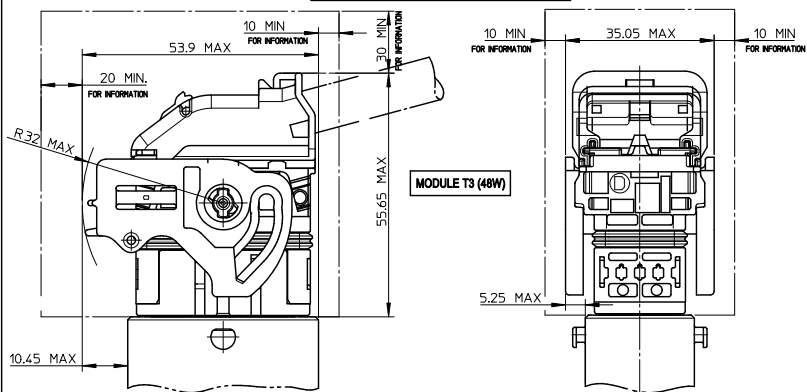
### UNLOCKED CONNECTOR - OVERALL DIMENSIONS



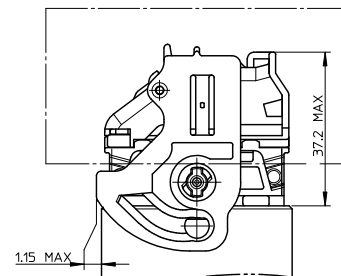
### LOCKED CONNECTOR - OVERALL DIMENSIONS



### UNLOCKED CONNECTOR - OVERALL DIMENSIONS



### LOCKED CONNECTOR - OVERALL DIMENSIONS



NOTE:  
1- T2 = 32 WAY / T3 = 48 WAY

ENTER DESCRIPTION  
EC NO: G2010-0220 2010/05/20  
DRAWN BY: G. DESBRUERES 2008/10/03  
CHKD: J. GIURIATO 2008/10/03  
APPR: G. BOUCHAN 2010/06/29

GENERAL TOLERANCES (UNLESS SPECIFIED)

|              | mm     | INCH    |
|--------------|--------|---------|
| 4 PLACES     | ± 0.10 | ± 0.004 |
| 3 PLACES     | ± 0.15 | ± 0.006 |
| 2 PLACES     | ± 0.20 | ± 0.008 |
| 1 PLACE      | ± 0.30 | ± 0.012 |
| ANGULAR ± 2° |        |         |

DRAFT WHERE APPLICABLE MUST REMAIN WITHIN DIMENSIONS

DIMENSION STYLE  
MM ONLY

DRAWN BY DATE  
G. DESBRUERES 2008/10/02  
CHECKED BY DATE  
J. GIURIATO 2008/10/03  
APPROVED BY DATE  
O. PLESSIS 2008/10/06

SCALE  
1:1

DESIGN UNITS  
METRIC

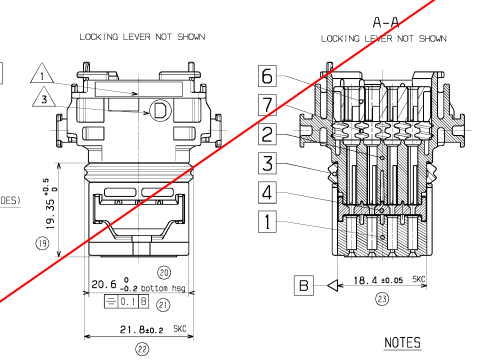
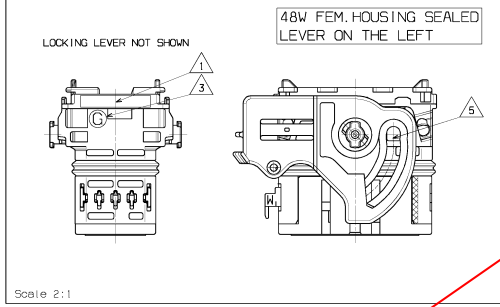
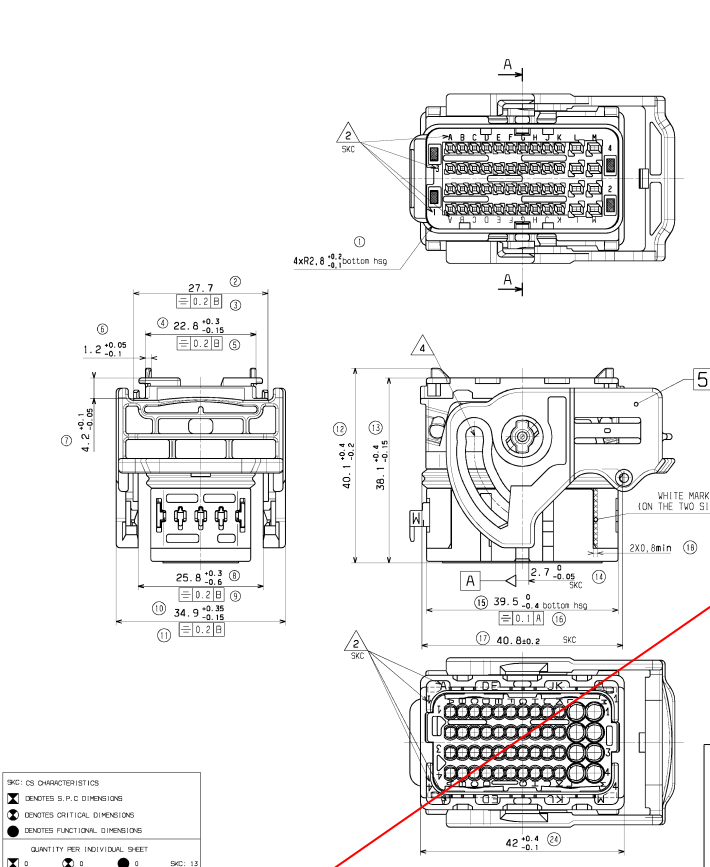
FIRST ANGLE PROJECTION

TITLE  
INTERFACES FOR CONNECTOR  
32 & 48 CKT CMC  
GENERIC SALES DRAWING

MOLEX INCORPORATED

DOCUMENT NO.  
SD-98644-006

SHEET NO.  
3 OF 3



LEVER ON THE LEFT

| MATERIAL NUMBER | COLOR  |
|-----------------|--------|
| 0643201311      | BLACK  |
| 0643201318      | GREY   |
| 0643201319      | BROWN  |
| 0643201315      | GREEN  |
|                 | BLUE   |
|                 | YELLOW |

LEVER ON THE RIGHT

| MATERIAL NUMBER | COLOR  |
|-----------------|--------|
| 0643203311      | BLACK  |
| 0643203318      | GREY   |
| 0643203319      | BROWN  |
| 0643203315      | GREEN  |
|                 | BLUE   |
|                 | YELLOW |

NOTES

- 1-FOR ILLUSTRATION PURPOSE THE FEMALE HOUSING SHOWN IS THE RIGHT WIRE OUTPUT VERSION CODING 1
- 2-INTERFACE DEFINITION, OVERALL DIMENSION AND LOCATION ON HEADER AS PER RSD-98644-005
- 3-TERMINAL TERMINAL POSITIONING
- 4-WIRES EXTERNAL DIAMETER USED: FOR CP0,5 TERMINAL: USE WIRES WITH AN EXTERNAL DIAMETER BETWEEN Ø1,25MM MIN AND Ø1,50MM MAX FOR CP1,5 TERMINAL: USE WIRES WITH AN EXTERNAL DIAMETER BETWEEN Ø1,80MM MIN AND Ø2,80MM MAX
- 7-THE CONNECTOR FITS WITH WIRE CAP T3 (48WAY) MOLEX P/N 0643201301
- 8-BLIND PLUG FOR 0,6 AND 1,5 CAVITIES (MOLEX P/N 0643251010 AND 0643251023) MUST BE USED ON THIS PART
- 9-DELIVERED PRODUCT WEIGHT: 33,8 g

**VOID AND SUPERSEDED BY SD-64320-001 rev C**

SKC: OS CHARACTERISTICS

- ☒ DENOTES S.P.C DIMENSIONS
- DENOTES CRITICAL DIMENSIONS
- DENOTES FUNCTIONAL DIMENSIONS

QUANTITY PER INDIVIDUAL SHEET

□ 0 ○ 0 ● 0 SKC: 13

| 0989930396      | 7    | MATT SEAL              | SILICONE | SKC | BLUE                       |
|-----------------|------|------------------------|----------|-----|----------------------------|
| 0989930356      | 6    | BACK GRID 48 WAY       | PBT-GF20 | SKC | BLUE                       |
| 0989930341      | 5    | LOCKING LEVER SIZE 3   | PBT-GF30 | SKC | BLACK                      |
| 0989930338      | 4    | SECONDARY LOCK         | PBT-GF20 | SKC | GREY                       |
| 0986560002      | 3    | PERIPHERAL SEAL SIZE 3 | SILICONE | SKC | RED                        |
| 0989930311      | 2    | BACK PART              | PBT-GF20 | SKC | BLACK                      |
| 0989930321      | 1    | FRONT PART             | PBT-GF20 | SKC | COLOR ASSOCIATED TO KEYING |
| 0989930328      |      |                        |          |     |                            |
| 0989930325      |      |                        |          |     |                            |
| 0989930329      |      |                        |          |     |                            |
| MATERIAL NUMBER | MARK | DESIGNATION            | MATERIAL |     | COLOR                      |

MARKINGS

- ▲ Assembled part traceability "day + year"
- ▲ Terminal cavities identification
- ▲ Lever position indicator: "D" LETTER VISIBLE = part with "LEVER ON THE RIGHT" "G" LETTER VISIBLE = part with "LEVER ON THE LEFT"
- ▲ Supplier identification
- ▲ Material identification

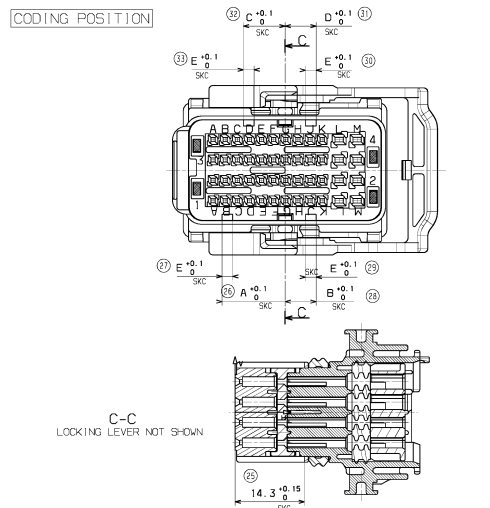
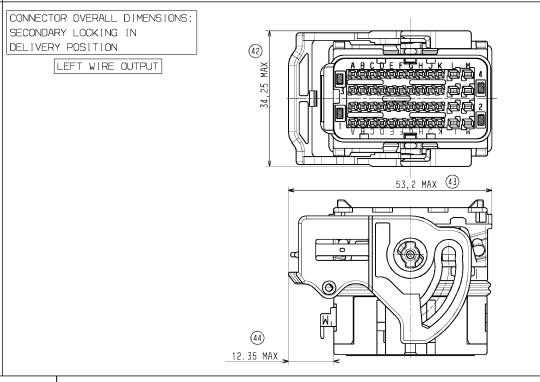
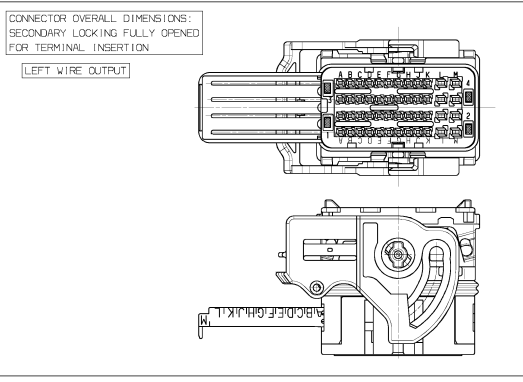
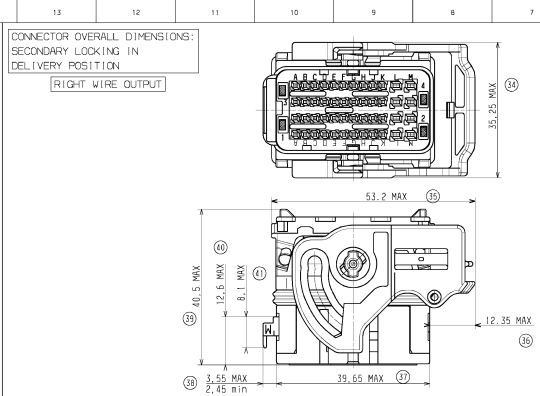
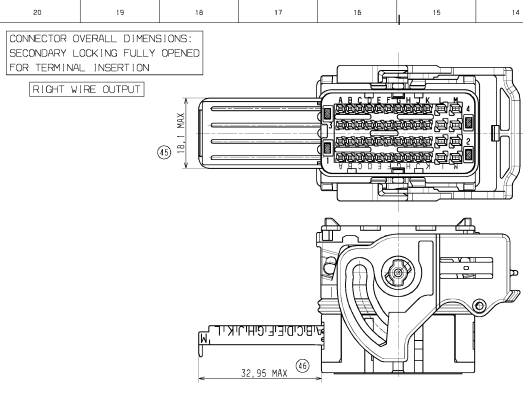
UPDATED DRAWING  
 EC: NO 020048-0367  
 DRN: TBADAROUX 2008/04/21  
 CH: NO PRGRANCLAUDE 2008/04/21  
 APPL: CBOUCHEN 2008/05/21

| GENERAL TOLERANCES (UNLESS SPECIFIED) |       | DIMENSION STYLE |                                     | SCALE   | DESIGN UNITS | FIRST ANGLE PROJECTION |
|---------------------------------------|-------|-----------------|-------------------------------------|---------|--------------|------------------------|
| PLACES                                | mm    | INCH            | DATE                                | MM ONLY | METRIC       |                        |
| 4                                     | ±     | ±               | TBADAROUX 2007/07/15                |         |              |                        |
| 3                                     | ±     | ±               | CHECKED BY: PRGRANCLAUDE 2007/07/15 |         |              |                        |
| 2                                     | ± 0.1 | ±               | APPROVED BY: CBOUCHEN 2007/07/15    |         |              |                        |
| 1                                     | ± 0.1 | ±               |                                     |         |              |                        |
| ANGULAR ± 2°                          |       |                 |                                     |         |              |                        |

MATERIAL NO: SD-98993-008  
 DOCUMENT NO: SD-98993-008  
 SHEET NO: 1 OF 2

DRAFT WHERE APPLICABLE MUST REMAIN WITHIN DIMENSIONS

THIS DRAWING CONTAINS INFORMATION THAT IS PROPRIETARY TO MOLEX INCORPORATED AND SHOULD NOT BE USED WITHOUT WRITTEN PERMISSION



| COLOR  | KEYING | A <sup>+0.1</sup> | B <sup>+0.1</sup> | C <sup>+0.1</sup> | D <sup>+0.1</sup> | E <sup>+0.1</sup> |
|--------|--------|-------------------|-------------------|-------------------|-------------------|-------------------|
| BLACK  | 1      | 13                | 6,4               | 8,6               | 6,4               | 2,2               |
| GREY   | 2      | 10,8              | 8,6               | 13                | 8,6               | 2,2               |
| BROWN  | 3      | 8,6               | 10,8              | 13                | 13                | 2,2               |
| GREEN  | 4      | 10,8              | 13                | 6,4               | 6,4               | 2,2               |
| BLUE   | 5      | 6,4               | 10,8              | 8,6               | 8,6               | 2,2               |
| YELLOW | 6      | 13                | 10,8              | 6,4               | 10,8              | 2,2               |

| TERMINALS USED   | MOLEX PART NUMBER               |                            |                                 |                            |
|--|---------------------------------|----------------------------|---------------------------------|----------------------------|
|  | TIN PLATED TERMINAL             |                            | GOLD PLATED TERMINAL 1.27µm min |                            |
| FEMALE TERMINAL<br>0.635<br>A1 to F1<br>A2 to F2<br>A3 to F3<br>A4 to F4 | (0,35 to 0,44 mm <sup>2</sup> ) | (0,5 mm <sup>2</sup> )     | (0,35 to 0,44 mm <sup>2</sup> ) | (0,5 mm <sup>2</sup> )     |
|  | 0643221019                      | 0643221039                 | 0643221229                      | 0643221239                 |
|  |                                 | (0,75 mm <sup>2</sup> )    |                                 | (0,75 mm <sup>2</sup> )    |
|  |                                 | 0643221029                 |                                 | 0643221219                 |
| FEMALE TERMINAL<br>1.50<br>G1 to G4<br>H1 to H4                          | (1 mm <sup>2</sup> )            | (>1 to 2 mm <sup>2</sup> ) | (1 mm <sup>2</sup> )            | (>1 to 2 mm <sup>2</sup> ) |
|  | 0643231029                      | 0643231039                 | 0643231319                      | 0643231219                 |

SKC: CS CHARACTERISTICS

- ✕ DENOTES S.P.C DIMENSIONS
- ⊕ DENOTES CRITICAL DIMENSIONS
- DENOTES FUNCTIONAL DIMENSIONS

QUANTITY PER INDIVIDUAL SHEET

0 1 2 3 SKC: 9

UPDATED DRAWING  
ECN NO. 022004-0367  
DRAWN: TBADAROUX 2008/04/21  
CHK'D: PGRANDCLAUDE 2008/04/21  
APPROVED: CROUCHAN 2008/04/21

GENERAL TOLERANCES (UNLESS SPECIFIED)

|            | mm  | INCH |
|------------|-----|------|
| 4 PLACES ± |     |      |
| 3 PLACES ± |     |      |
| 2 PLACES ± | 0.1 |      |
| 1 PLACE ±  | 0.1 |      |
| ANGULAR ±  | 2°  |      |

DRAFT WHERE APPLICABLE MUST REMAIN WITHIN DIMENSIONS

DRAWN BY: TBADAROUX 2007/07/16  
CHECKED BY: PGRANDCLAUDE 2007/07/16  
APPROVED BY: CROUCHAN 2007/07/16

DIMENSION STYLE: MM ONLY  
SCALE: 2:1 METRIC  
DESIGN UNITS: FIRST ANGLE PROJECTION

TITLE: CMC CONNECTOR 48 WAY MATT SEAL VERSION

MATERIAL NO.: SEE SHEET 1  
DOCUMENT NO.: SD-98993-008  
SHEET NO.: 2 OF 2

MOLEX INCORPORATED

THIS DRAWING CONTAINS INFORMATION THAT IS PROPRIETARY TO MOLEX INCORPORATED AND SHOULD NOT BE USED WITHOUT WRITTEN PERMISSION