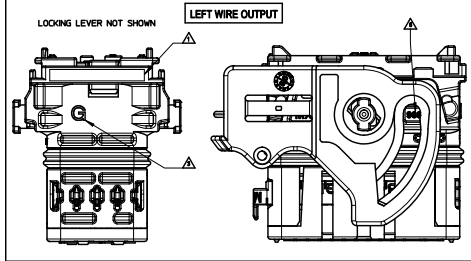
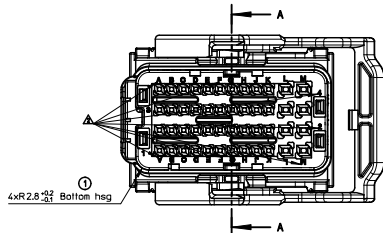
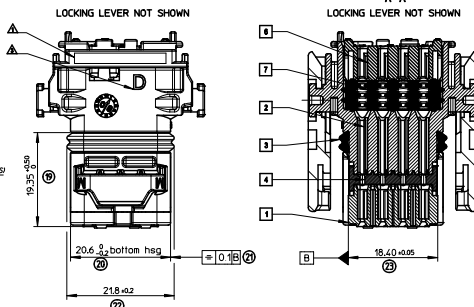
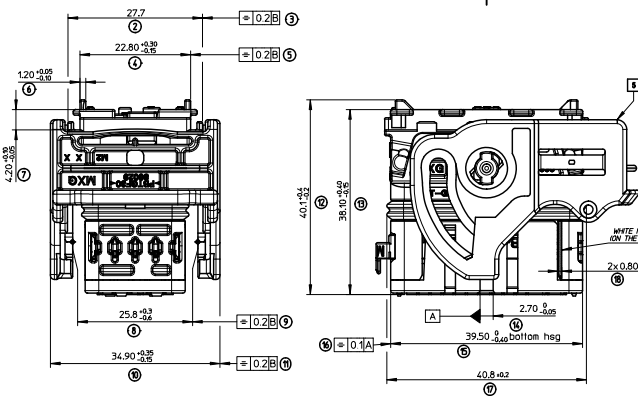


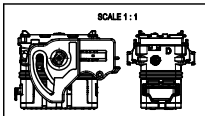
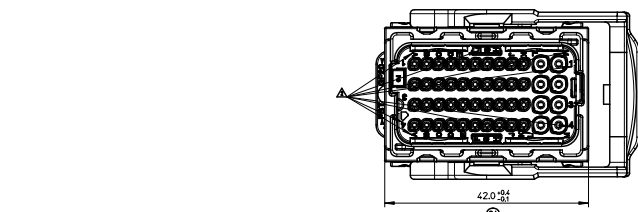
20 19 18 17 16 15 14 13 12 11 10 9 8 7 6 5 4 3 2 1



LEFT WIRE OUTPUT	
MATERIAL NUMBER	COLOR
064320311	BLACK
064320318	GREY
064320319	BROWN
064320315	GREEN



RIGHT WIRE OUTPUT	
MATERIAL NUMBER	COLOR
064320311	BLACK
064320318	GREY
064320319	BROWN
064320315	GREEN



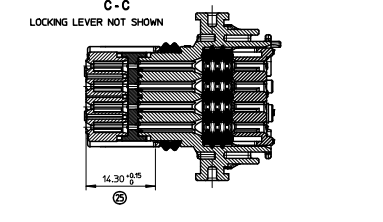
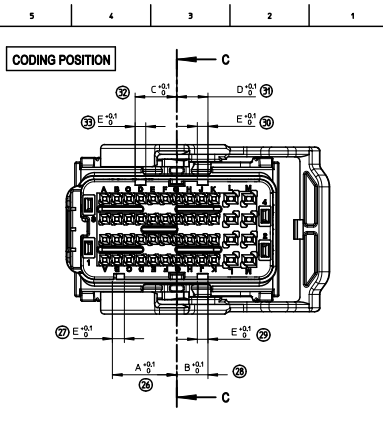
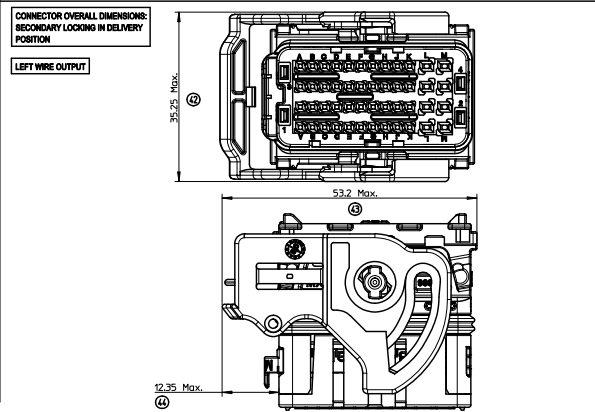
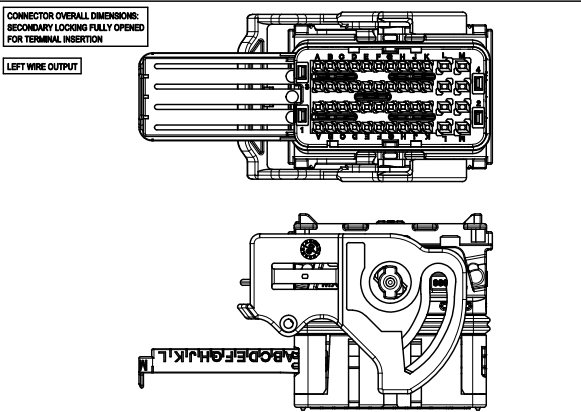
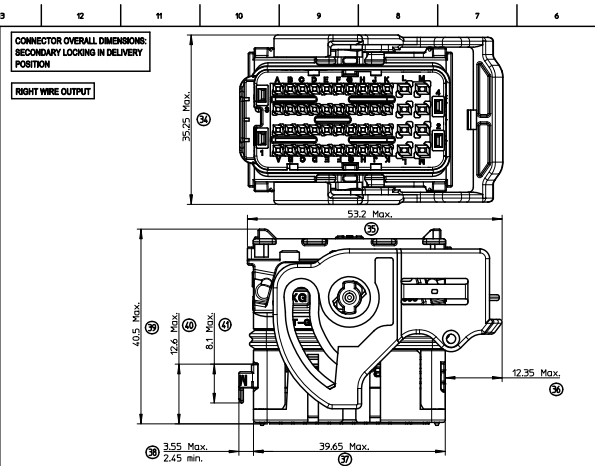
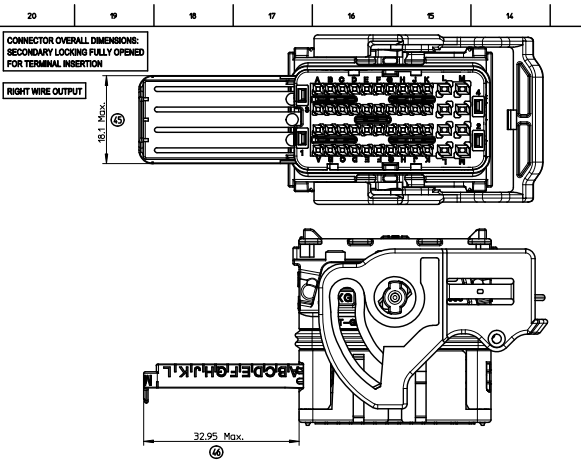
- NOTES:**
- FOR ILLUSTRATION PURPOSE THE FEMALE HOUSING SHOWN IS THE RIGHT WIRE OUTPUT VERSION CODING 1
 - APPLICATION SPECIFICATION: AS-6439-001
 - WIRES EXTERNAL DIAMETER USED: FOR CP06 TERMINAL USE WIRES WITH AN EXTERNAL DIAMETER BETWEEN #129MM MIN AND #190MM MAX FOR CP15 TERMINAL USE WIRES WITH AN EXTERNAL DIAMETER BETWEEN #160MM MIN AND #250MM MAX
 - THE CONNECTOR FITS WITH WIRE CAP (48 WAY) MOLEX P/N 0643201901
 - BLIND PLUG FOR 0.6 AND 1.5 CAVITIES MOLEX P/N 0643251010 AND 0643251023 MUST BE USED ON THIS PART.
 - DELIVERED PRODUCT WEIGHT: 33.8 g

REF.	DESIGNATION	MATERIAL	COLOR
17	MAT SEAL	Silicon	BLUE
16	BACK GRID 48W	>PBT-GF20+	GREY
15	LOCKING LEVER 48W	>PBT-GF30+	BLACK
14	SECONDARY LOCK	>PBT-GF20+	GREY
13	PERIPHERAL SEAL 48W	Silicon	RED
12	BACK PART	>PBT-GF20+	BLACK
11	FRONT PART	>PBT-GF20+	COLOR LINKED TO KEYING

MARKINGS:

- ▲ - Assembled part traceability Day + Year
- ▲ - Terminal cavities identification
- ▲ - Lever position indicator: 'R' LETTER VISIBLE: part with 'LEVER ON THE RIGHT' 'L' LETTER VISIBLE: part with 'LEVER ON THE LEFT'
- ▲ - Supplier identification
- ▲ - Material identification

ENTERED DESCRIPTION ELC NUS 02000 0205 C/DRANPREHELE 2010/08/07 CHK/CP GRANDCLAUD 2007/07/16 APPR/BOUCHAN 2010/07/07	QUALITY SYMBOLS 0 0 0	GENERAL TOLERANCES (UNLESS SPECIFIED) 4 PLACES ± 0.15 ± 0.15 3 PLACES ± 0.1 ± 0.1 2 PLACES ± 0.1 ± 0.1 1 PLACE ± 0.1 ± 0.1 ANGULAR ± 2° ± 2°	DIMENSION STYLE: MM ONLY SCALE: 2.5:1 DESIGN UNITS: METRIC FIRST ANGLE PROJECTION
		DRAWN BY: T. BADAROUX 2007/07/16 CHECKED BY: P. GRANDCLAUD 2007/07/16 APPROVED BY: C. BOUCHAN 2007/07/16	TITLE: CMC CONNECTOR 48 WAY MAT SEAL VERSION MOLEX INCORPORATED MATERIAL NO. SEE SHEET 2 DOCUMENT NO. SD-64320-001

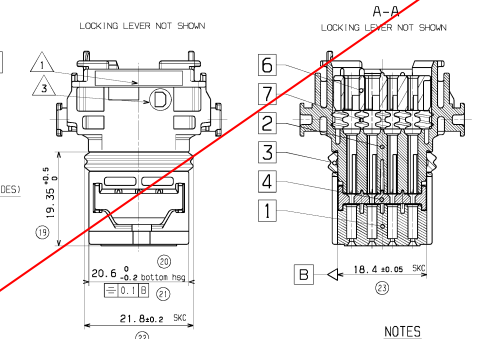
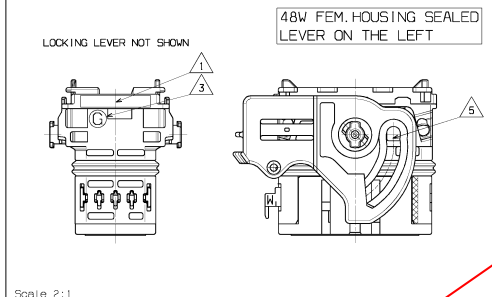
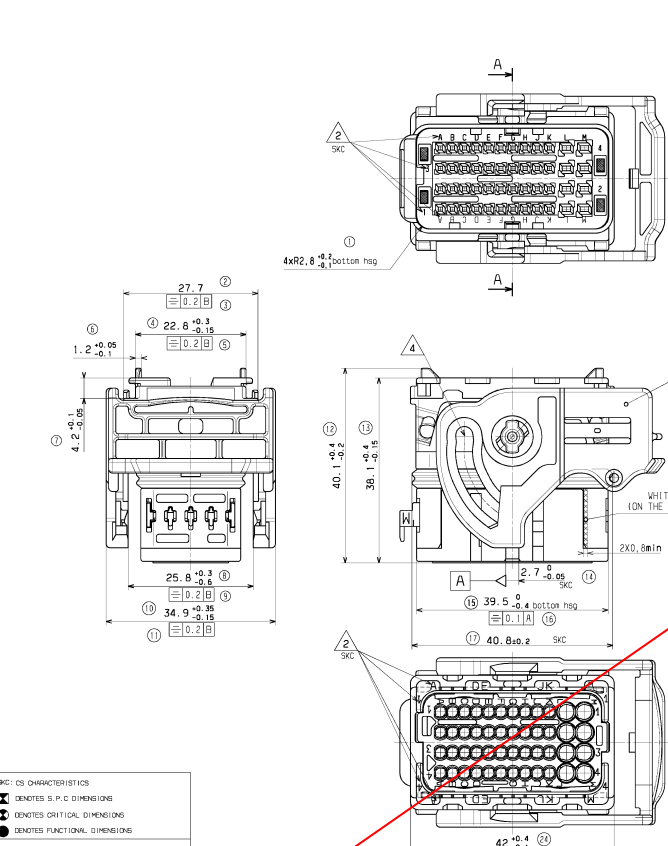


COLOR	CODING	A	B	C	D	E
BLACK	1	13	6.4	8.6	6.4	2.2
GREY	2	10.8	8.6	13	8.6	2.2
BROWN	3	8.6	10.8	13	13	2.2
GREEN	4	10.8	13	6.4	6.4	2.2

TERMINALS USED				
CAVITY #	FEMALE TERMINAL (Surface area)	PLATING	MOLEX P/N*	min / MAX WIRE INSULATION DIAMETER (mm)
A1 to K1 A2 to K2 A3 to K3 A4 to K4	CP 0.6 0.35mm ²	Tin plated	0643221019	Ø1.25 min / Ø1.40 Max
		Gold plated	0643221229	
	CP 0.6 0.5mm ²	Tin plated	0643221039	Ø1.40 min / Ø1.70 Max
		Gold plated	0643221239	
L1 to L4 M1 to M4	CP 0.6 0.75mm ²	Tin plated	0643221029	Ø1.60 min / Ø1.90 Max
		Gold plated	0643221219	
	CP 15 0.5mm ² to 1mm ²	Tin plated	0643231029	Ø1.40 min / Ø2.15 Max
		Gold plated	0643231319	
	CP 15 >1mm ² to 2mm ²	Tin plated	0643231039	Ø2.10 min / Ø2.80 Max
		Gold plated	0643231219	

ENTER DESCRIPTION 06432025 CMC CONNECTOR 48 WAY CHIKDPA GRANDCLAUD 2007/07/16 APPROB:BOUCHAN 2010/07/07 REV:	QUALITY SYMBOLS 	GENERAL TOLERANCES (UNLESS SPECIFIED) <table border="1"> <thead> <tr> <th></th> <th>mm</th> <th>INCH</th> </tr> </thead> <tbody> <tr> <td>4 PLACES</td> <td>± 0.15</td> <td>± 0.006</td> </tr> <tr> <td>3 PLACES</td> <td>± 0.2</td> <td>± 0.008</td> </tr> <tr> <td>2 PLACES</td> <td>± 0.3</td> <td>± 0.012</td> </tr> <tr> <td>1 PLACE</td> <td>± 0.4</td> <td>± 0.016</td> </tr> </tbody> </table>		mm	INCH	4 PLACES	± 0.15	± 0.006	3 PLACES	± 0.2	± 0.008	2 PLACES	± 0.3	± 0.012	1 PLACE	± 0.4	± 0.016	DIMENSION STYLE MM ONLY	SCALE 2.5:1	DESIGN UNITS METRIC	FIRST ANGLE PROJECTION
				mm	INCH																
4 PLACES	± 0.15	± 0.006																			
3 PLACES	± 0.2	± 0.008																			
2 PLACES	± 0.3	± 0.012																			
1 PLACE	± 0.4	± 0.016																			
DRAFT WHERE APPLICABLE MUST REMAIN WITHIN DIMENSIONS	DRAWN BY T. BADAROUX 2007/07/16	DATE 2007/07/16	TITLE CMC CONNECTOR 48 WAY MAT SEAL VERSION	APPROVED BY C. BOUCHAN 2007/07/16	DATE 2007/07/16	MOLEX INCORPORATED															
MATERIAL NO. SEE CHART SH12	DOCUMENT NO. SD-64320-001	SHEET NO. 2 OF 2	THIS DRAWING CONTAINS INFORMATION THAT IS PROPRIETARY TO MOLEX INCORPORATED AND SHOULD NOT BE USED WITHOUT WRITTEN PERMISSION																		

h. Irrape_A1_P_AH_F
Rev. F 2009/06/18



LEVER ON THE LEFT

MATERIAL NUMBER	COLOR
0643201311	BLACK
0643201318	GREY
0643201319	BROWN
0643201315	GREEN
	BLUE
	YELLOW

LEVER ON THE RIGHT

MATERIAL NUMBER	COLOR
0643203311	BLACK
0643203318	GREY
0643203319	BROWN
0643203315	GREEN
	BLUE
	YELLOW

NOTES

- 1-FOR ILLUSTRATION PURPOSE THE FEMALE HOUSING SHOWN IS THE RIGHT WIRE OUTPUT VERSION CODING 1
- 2-INTERFACE DEFINITION, OVERALL DIMENSION AND LOCATION ON HEADER AS PER RSD-98644-005
- 3-TERMINAL TERMINAL POSITIONING
- 4-WIRES EXTERNAL DIAMETER USED: FOR CP0,6 TERMINAL: USE WIRES WITH AN EXTERNAL DIAMETER BETWEEN Ø1,25MM MIN AND Ø1,50MM MAX FOR CP1,5 TERMINAL: USE WIRES WITH AN EXTERNAL DIAMETER BETWEEN Ø1,80MM MIN AND Ø2,80MM MAX
- 7-THE CONNECTOR FITS WITH WIRE CAP T3 (48WAY) MOLEX P/N 0643201301
- 8-BLIND PLUG FOR 0,6 AND 1,5 CAVITIES (MOLEX P/N 0643251010 AND 0643251023) MUST BE USED ON THIS PART
- 9-DELIVERED PRODUCT WEIGHT: 33,8 g

VOID AND SUPERSEDED BY SD-64320-001 rev C

SKC: OS CHARACTERISTICS

- ☒ DENOTES S.P.C DIMENSIONS
- DENOTES CRITICAL DIMENSIONS
- DENOTES FUNCTIONAL DIMENSIONS

QUANTITY PER INDIVIDUAL SHEET

○ 0 ● 0 SKC: 13

0989930396	7	MATT SEAL	SILICONE	SKC	BLUE
0989930356	6	BACK GRID 48 WAY	PBT-GF20	SKC	BLUE
0989930341	5	LOCKING LEVER SIZE 3	PBT-GF30	SKC	BLACK
0989930338	4	SECONDARY LOCK	PBT-GF20	SKC	GREY
0986560002	3	PERIPHERAL SEAL SIZE 3	SILICONE	SKC	RED
0989930311	2	BACK PART	PBT-GF20	SKC	BLACK
0989930321	1	FRONT PART	PBT-GF20	SKC	COLOR ASSOCIATED TO KEYING
0989930328					
0989930325					
0989930329					
MATERIAL NUMBER	MARK	DESIGNATION	MATERIAL		COLOR

MARKINGS

- ▲ Assembled part traceability "day + year"
- ▲ Terminal cavities identification
- ▲ Lever position indicator: "D" LETTER VISIBLE = part with "LEVER ON THE RIGHT" "G" LETTER VISIBLE = part with "LEVER ON THE LEFT"
- ▲ Supplier identification
- ▲ Material identification

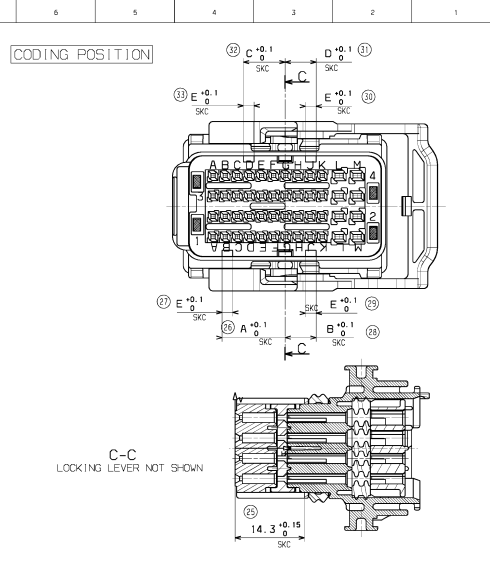
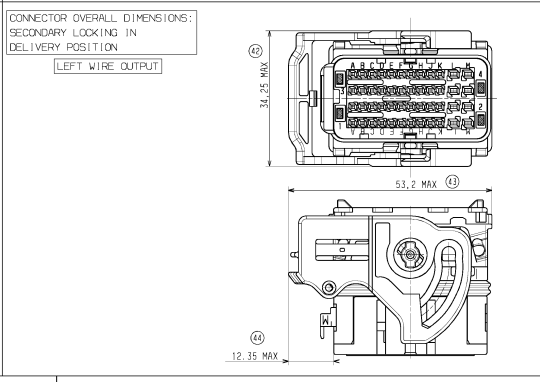
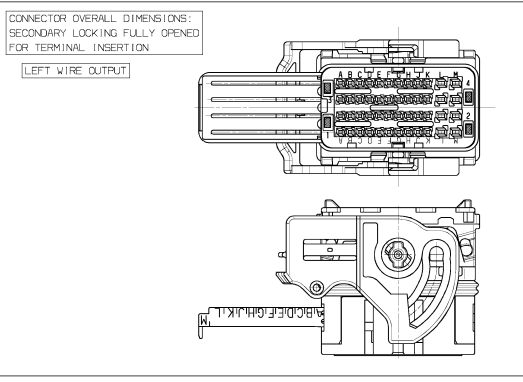
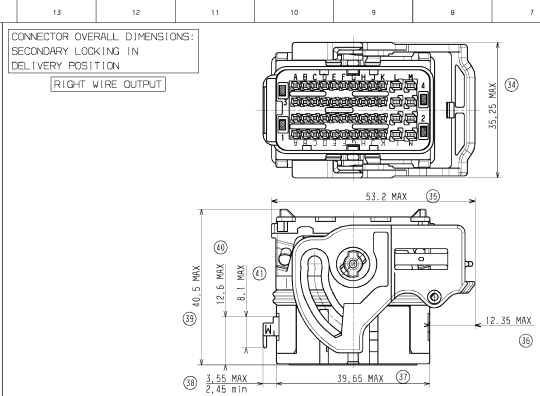
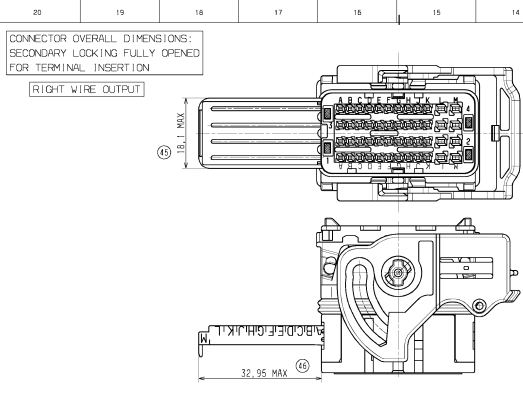
GENERAL TOLERANCES (UNLESS SPECIFIED)		DIMENSION STYLE		SCALE	DESIGN UNITS	FIRST ANGLE PROJECTION
mm	INCH	mm ONLY		2,5:1	METRIC	
4 PLACES ±						
3 PLACES ±						
2 PLACES ±						
1 PLACE ±						
ANGULAR	± 2°					

UPDATED DRAWING
EC: NO 020048-0367
DRN: TBADAROUX 2008/04/21
CHK: PGRANDCLAUDE 2008/04/21
APPR: CBOUCHEN 2008/05/21

DRAWN BY: TBADAROUX 2007/07/15
CHECKED BY: PGRANDCLAUDE 2007/07/15
APPROVED BY: CBOUCHEN 2007/07/15

MATERIAL NO: SD-98993-008
DOCUMENT NO: SD-98993-008
SHEET NO: 1 OF 2

THIS DRAWING CONTAINS INFORMATION THAT IS PROPRIETARY TO MOLEX INCORPORATED AND SHOULD NOT BE USED WITHOUT WRITTEN PERMISSION



COLOR	KEYING	A ^{±0.1}	B ^{±0.1}	C ^{±0.1}	D ^{±0.1}	E ^{±0.1}
BLACK	1	13	6,4	8,6	6,4	2,2
GREY	2	10,8	8,6	13	8,6	2,2
BROWN	3	8,6	10,8	13	13	2,2
GREEN	4	10,8	13	6,4	6,4	2,2
BLUE	5	6,4	10,8	8,6	8,6	2,2
YELLOW	6	13	10,8	6,4	10,8	2,2

TERMINALS USED	MOLEX PART NUMBER			
	TIN PLATED TERMINAL		GOLD PLATED TERMINAL 1.27µm min	
FEMALE TERMINAL 0.635 A1 to F1 A2 to F2 A3 to F3 A4 to F4	(0,35 to 0,44 mm ²)	(0,5 mm ²)	(0,35 to 0,44 mm ²)	(0,5 mm ²)
	0643221019	0643221039	0643221229	0643221239
		(0,75 mm ²)		(0,75 mm ²)
		0643221029		0643221219
FEMALE TERMINAL 1.50 G1 to G4 H1 to H4	(1 mm ²)	(>1 to 2 mm ²)	(1 mm ²)	(>1 to 2 mm ²)
	0643231029	0643231039	0643231319	0643231219

SKC: CS CHARACTERISTICS
 X DENOTES S.P.C DIMENSIONS
 ⊕ DENOTES CRITICAL DIMENSIONS
 ● DENOTES FUNCTIONAL DIMENSIONS
 QUANTITY PER INDIVIDUAL SHEET
 X 0 1 SKC: 9

UPDATED DRAWING
 EC NO. 02004-0367
 DRAWN: TBADAROUX 2008/04/21
 CHK'D: PGRANDCLAUDE 2008/04/21
 APPROVED: CROUCHAN 2008/05/21

GENERAL TOLERANCES (UNLESS SPECIFIED)
 4 PLACES ±
 3 PLACES ±
 2 PLACES ± 0.1 ±
 1 PLACE ± 0.1 ±
 ANGULAR ± 2°

DRAFT WHERE APPLICABLE
 MUST REMAIN
 WITHIN DIMENSIONS

DIMENSION STYLE
 MM ONLY

SCALE
 2:1 METRIC

DESIGN UNITS
 METRIC

FIRST ANGLE PROJECTION

TITLE
 CMC CONNECTOR 48 WAY
 MATT SEAL VERSION

MOLEX INCORPORATED

MATERIAL NO.
 SEE SHEET 1

DOCUMENT NO.
 SD-98993-008

SHEET NO.
 2 OF 2

THIS DRAWING CONTAINS INFORMATION THAT IS PROPRIETARY TO MOLEX INCORPORATED AND SHOULD NOT BE USED WITHOUT WRITTEN PERMISSION