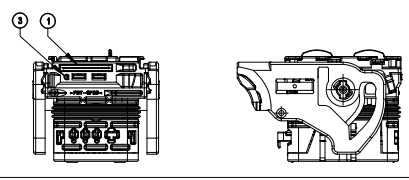
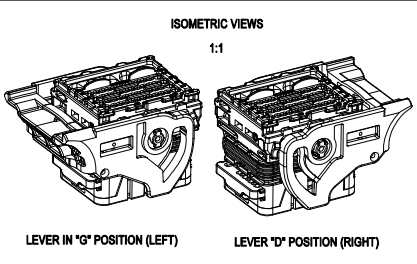
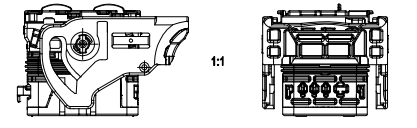
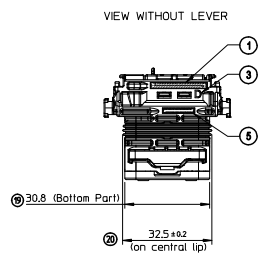
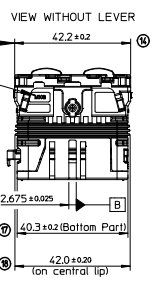
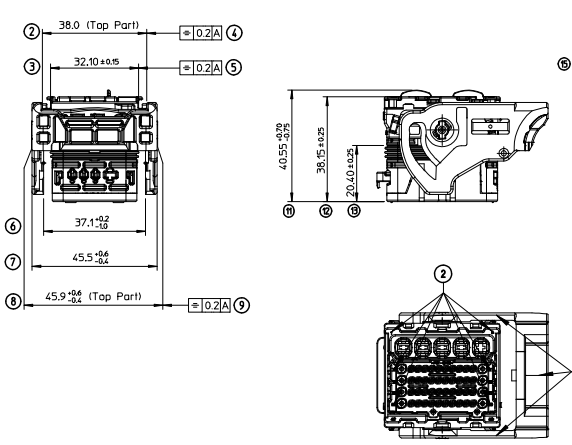
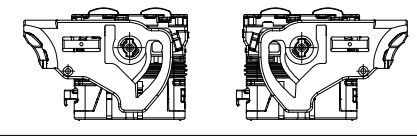


CMC 53W EQUIPED LEVER ON THE LEFT ("G" POSITION)



LEVER IN "G" POSITION (LEFT) (Position shown below)		LEVER IN "D" POSITION (RIGHT) (Position shown below)	
MOLEX P/N	COLOR	MOLEX P/N	COLOR
0643211011	BLACK	0643212011	BLACK
0643211018	GREY	0643212018	GREY
0643211019	BROWN	0643212019	BROWN



POS.	QTY	DESCRIPTION	MATERIAL	COLOR
7	1	BACK SEAL "GROMMET"	Silicon	ORANGE
8	1	REAR SEAL COVER	>PBT-GF20<	GREY
5	1	LOCKING LEVER R&L S4	>PBT-GF30<	BLACK
4	1	TPA	>PBT-GF20<	YELLOW
3	1	PERMETER SEAL SIZE 4	Silicon	ORANGE
2	1	HOUSING TOP PART	>PBT-GF20<	BROWN BLACK
1	1	HOUSING BOTTOM PART	>PBT-GF20<	BROWN BROWN GREY

MARKINGS:

- ① - Tracking N° for assembled connector.
(Year & Day)
- ② - Cavities identification (N°).
- ③ - Lever sens indicator.
Visible letter "D" = Housing with lever on the RIGHT.
(Lever on the opposite side of the SL Key)
Visible letter "G" = Housing with lever on the LEFT.
(Lever on the side of the SL Key)
- ④ - Supplier logo.
- ⑤ - Molex Area.

NOTES:

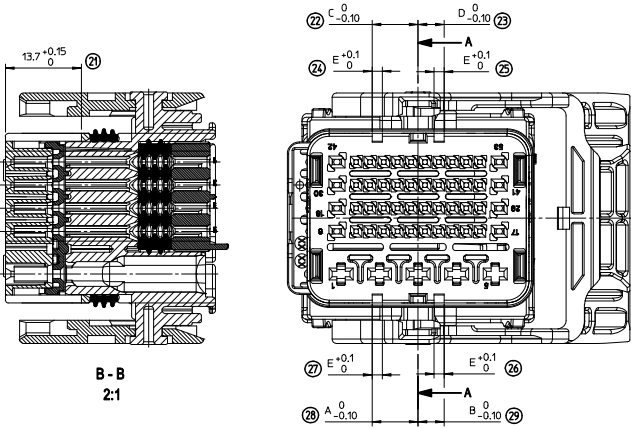
- 1- The represented female connector is the "D" version (Way out on the Right), Black coding.
- 2- Application Spec: AS-64321-001
- 3- Plugs & caps used:
Cavities 06: plug: 0643251010
Cavities 15: plug: 0643251023
Cavities 2,8: cap: 0643251091
- 4- Weight: 50,8 g
- 5- The assembled female connector matches with the cover CMC 53W (P/N: 064321101)

↔ Clamping areas on male connector.

ACCORDING FPIR EC NO. G2009-0092 DRAWING DESIGNED BY: CHYKAO.PLESSIS 2008/11/05 APPR: EBOLICHAN 2008/11/05 REV	GENERAL TOLERANCES (UNLESS SPECIFIED)	DIMENSION STYLE	SCALE	DESIGN UNITS	FIRST ANGLE PROJECTION
	4 PLACES ± --- ± ---	MM ONLY	1:1	METRIC	
	3 PLACES ± --- ± ---	DRAWN BY	DATE	TITLE	
	2 PLACES ± 0.05 ± ---	G.DESBRUERES 2007/09/05	2007/09/05	CMC FEMALE MODULE 53W GENERIC SALES DRAWING	
1 PLACE ± 0.1 ± ---	CHECKED BY	DATE	APPROVED BY		
ANGULAR ± 2 °	O.PLESSIS 2007/09/06	2007/09/06	L.STICKEIR 2007/09/07		
	MATERIAL NO.	DOCUMENT NO.	MOLEX INCORPORATED		
	SEE CHARTS	SD-64321-001	SHEET NO. 1 OF 2		
DRAFT WHERE APPLICABLE MUST REMAIN WITHIN DIMENSIONS	THIS DRAWING CONTAINS INFORMATION THAT IS PROPRIETARY TO MOLEX INCORPORATED AND SHOULD NOT BE USED WITHOUT WRITTEN PERMISSION				

CODINGS

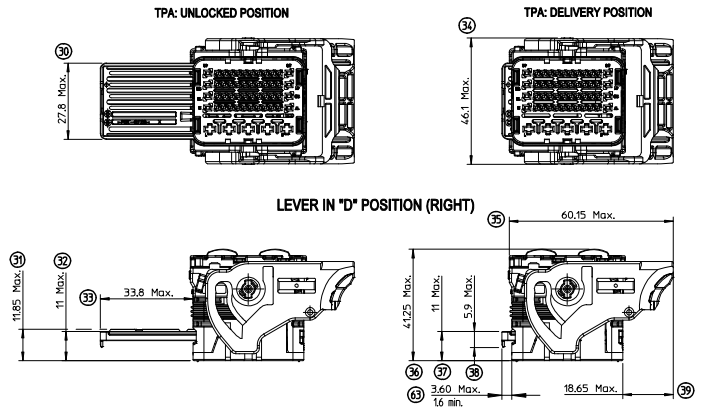
FEMALE HOUSING WITH THE LEVER ON "D" (RIGHT) POSITION.



B - B
2:1

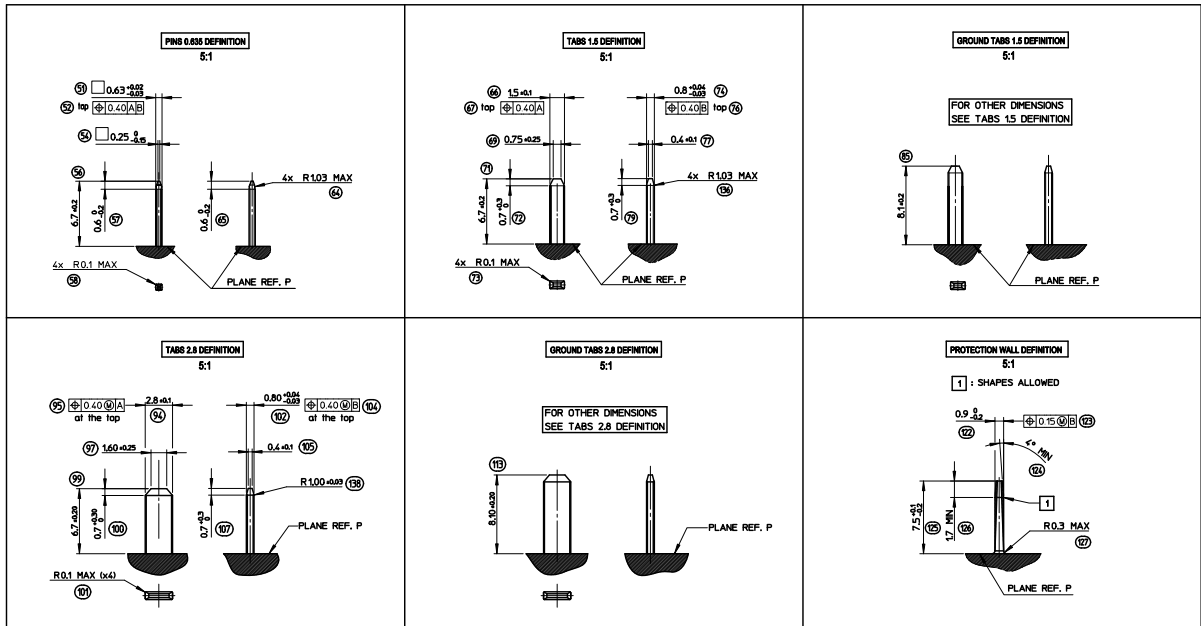
COLOR	CODING	A $\frac{0}{-0.1}$	B $\frac{0}{-0.1}$	C $\frac{0}{-0.1}$	D $\frac{0}{-0.1}$	E $\frac{0}{-0.1}$
BLACK	1	8,4	4,8	8,4	4,8	1,8
GREY	2	8,4	6,6	6,6	6,6	1,8
BROWN	3	8,4	8,4	4,8	10,2	1,8

MODULE OVERALL DIMENSIONS:



TERMINALS' P/N(S)							
CAVITIES N°	FEMALE TERMINALS (Section mm2)	PLATING	MOLEX PIN	WIRE SEAL	min / MAX WIRE INSULATION DIAMETER		
7 to 16 19 to 28 31 to 40 43 to 52	CP 0.6 (0.35mm2)	Tin plated	0643221019	/	\varnothing 1.25 min. / \varnothing 1.40 Max.		
		Gold plated	0643221229				
	CP 0.6 (0.5mm2)	Tin plated	0643221039		\varnothing 1.40 min. / \varnothing 1.70 Max.		
		Gold plated	0643221239				
6, 17, 18 29, 30, 41 42, 53	CP 0.6 (0.75mm2)	Tin plated	0643221029	/	\varnothing 1.60 min. / \varnothing 1.90 Max.		
		Gold plated	0643221219				
	CP 1.5 (0.5mm2 to 1mm2)	Tin plated	0643231029		\varnothing 1.45 min. / \varnothing 2.15 Max.		
		Gold plated	0643231319				
1 to 5	CP 1.5 (>1mm2 to 2mm2)	Tin plated	0643231039	/	\varnothing 2.10 min. / \varnothing 2.80 Max.		
		Gold plated	0643231219				
	CP 2.8 (>0.5mm2 to 1mm2)	Tin plated	0643241049		0643251162	\varnothing 1.40 min. / \varnothing 2.15 Max.	
		Gold plated	0643241149				
CP 2.8 (>1mm2 to 2mm2)	Tin plated	0643241039	0643251175	\varnothing 2.10 min. / \varnothing 2.80 Max.			
		Gold plated			0643241139		
	CP 2.8 (>2mm2 to 3mm2)	Tin plated			0643241029	0643251188	\varnothing 2.65 min. / \varnothing 3.45 Max.
		Gold plated			0643241129		
CP 2.8 (>3mm2 to 5mm2)	Tin plated	0643241019	0643251196	\varnothing 3.40 min. / \varnothing 4.00 Max.			
		Gold plated			0643241119		

ACCORDING FPIR EC NO. G2009-009Z DRAWING DESBRUERES 2008/10/23 CHK'D: PLESSIS 2008/11/05 APPR: BROUCHAN 2008/11/05 REV. DESCRIPTION	GENERAL TOLERANCES (UNLESS SPECIFIED) 4 PLACES ± --- ± --- 3 PLACES ± --- ± --- 2 PLACES ± 0.05 ± --- 1 PLACE ± 0.1 ± --- ANGULAR ± 2°	DIMENSION STYLE MM ONLY DRAWN BY DATE G. DESBRUERES 2007/09/05 CHECKED BY DATE O. PLESSIS 2007/09/06 APPROVED BY DATE L. STICKEIR 2007/09/07 MATERIAL NO. DOCUMENT NO.	SCALE 1.5:1 DESIGN UNITS METRIC FIRST ANGLE PROJECTION	TITLE CMC FEMALE MODULE 53W GENERIC SALES DRAWING
	MOLEX INCORPORATED			SHEET NO. 2 OF 2
	DRAFT WHERE APPLICABLE MUST REMAIN WITHIN DIMENSIONS			SEE SHEET 1 THIS DRAWING CONTAINS INFORMATION THAT IS PROPRIETARY TO MOLEX INCORPORATED AND SHOULD NOT BE USED WITHOUT WRITTEN PERMISSION
	SD-64321-001			SHEET NO. 2 OF 2

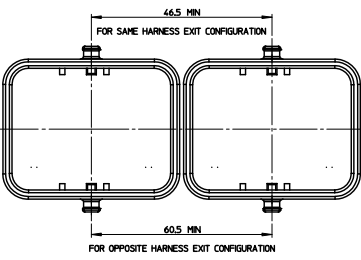


I.C. NO. 62015-0079 DRAWN BY PDECHELE 2010/12/07 CHECKED BY DPLESSIS 2010/12/07 APPROVED BY CBOUCHAN 2011/01/17	QUALITY SYMBOLS	GENERAL TOLERANCES (UNLESS SPECIFIED)	DIMENSION STYLE: MM ONLY SCALE: 2:1 DESIGN UNITS: METRIC FIRST ANGLE PROJECTION
	∇=0 ∇-0 ∇-0	4 PLACES ± 0.10 3 PLACES ± 0.15 2 PLACES ± 0.20 1 PLACE ± 0.30 ANGULAR ± 2°	DRAWN BY: PDECHELE 2010/12/07 CHECKED BY: DPLESSIS 2010/12/07 APPROVED BY: CBOUCHAN 2011/01/17 MATERIAL NO.: N/A DOCUMENT NO.: SD-98995-009
DRAFT WHERE APPLICABLE MUST REMAIN WITHIN DIMENSIONS		THIS DRAWING CONTAINS INFORMATION THAT IS PROPRIETARY TO MOLEX INCORPORATED AND SHOULD NOT BE USED WITHOUT WRITTEN PERMISSION	

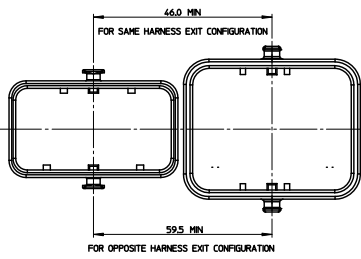
20 19 18 17 16 15 14 13 12 11 10 9 8 7 6 5 4 3 2 1

MULTI-HEADERS LAYOUT

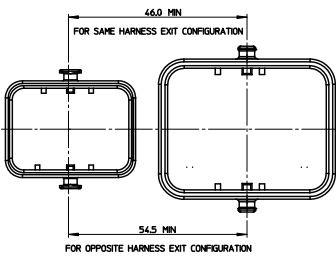
LAYOUT FOR TWO INTERFACES T4 (53W)



LAYOUT FOR TWO INTERFACES T4 (53W) AND T3 (48W)



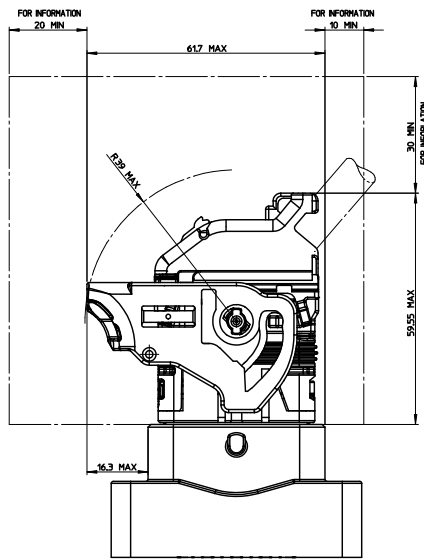
LAYOUT BETWEEN TWO INTERFACES T4 (53W) AND T2 (32W)



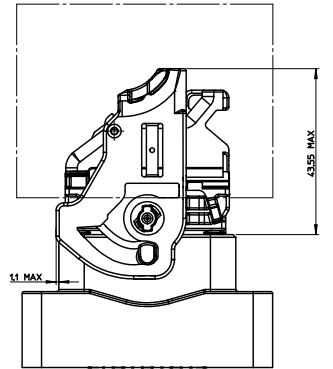
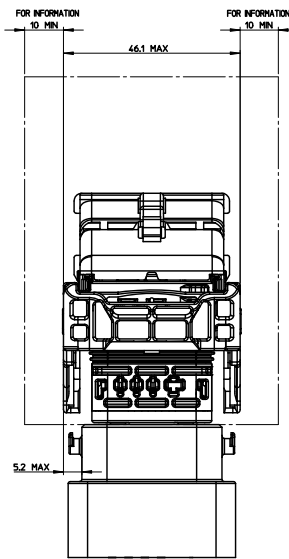
CONNECTOR ON HEADER - OVERALL DIMENSIONS

LEGEND:
 FREE VOLUME FOR MANUAL LOCKING AND UNLOCKING DIMENSIONS GIVEN FOR INFORMATION ONLY TO BE CONFIRMED BASED UPON VEHICLE CONFIGURATION.

UNLOCKED CONNECTOR OVERALL DIMENSIONS



LOCKED CONNECTOR OVERALL DIMENSIONS



E.C. NO.: 620014-0079 DRAWN BY: PDECHELE CHECKED BY: DPLESSIS APPROVED BY: CBOUCHAN	2010/12/07	2010/12/07	2010/12/07	2011/01/17
	QUALITY SYMBOLS	GENERAL TOLERANCES (UNLESS SPECIFIED)	DIMENSION STYLE	SCALE
	∇=0 ∇=0 ∇=0	mm INCH 4 PLACES ± --- ± --- 3 PLACES ± 0.10 ± --- 2 PLACES ± 0.10 ± --- 1 PLACE ± 0.10 ± --- ANGULAR ± 2 °	MM ONLY	2:1
	DRAFT WHERE APPLICABLE MUST REMAIN WITHIN DIMENSIONS	DRAWN BY: PDECHELE CHECKED BY: DPLESSIS APPROVED BY: CBOUCHAN	DATE: 2010/12/07 DATE: 2010/12/07 DATE: 2011/01/17	DESIGN UNIT'S: METRIC FIRST ANGLE PROJECTION
MATERIAL NO.: N/A	DOCUMENT NO.: SD-98995-009	TITLE: INTERFACE FOR MODULE CMC 53 CKT MOLEX INCORPORATED		
SIZE: A	THIS DRAWING CONTAINS INFORMATION THAT IS PROPRIETARY TO MOLEX INCORPORATED AND SHOULD NOT BE USED WITHOUT WRITTEN PERMISSION			
				SHEET NO.: 3 OF 3

to: frame_A1_P_AM_F Rev. F 2009/06/18

19 18 17 16 15 14 13 12 11 10 9 8 7 6 5 4 3 2 1