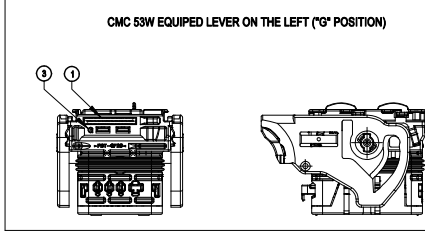
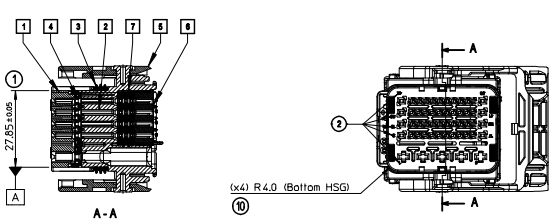
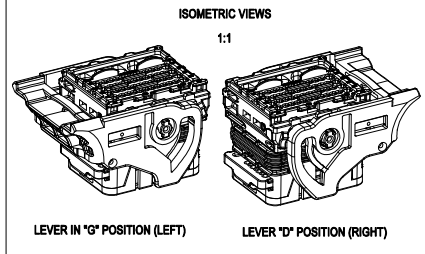
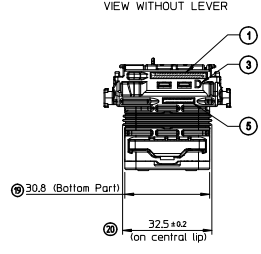
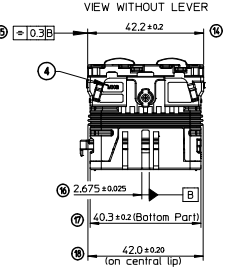
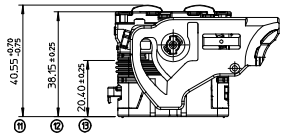
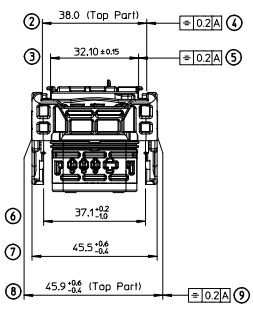
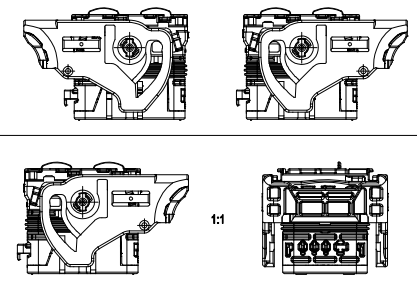


13 12 11 10 9 8 7 6 5 4 3 2 1



LEVER IN "G" POSITION (LEFT) (Position shown below)		LEVER IN "D" POSITION (RIGHT) (Position shown below)	
MOLEX P/N	COLOR	MOLEX P/N	COLOR
0643211011	BLACK	0643212011	BLACK
0643211018	GREY	0643212018	GREY
0643211019	BROWN	0643212019	BROWN



POS.	QTY	DESCRIPTION	MATERIAL	COLOR
7	1	BACK SEAL "GROMMET"	Silicon	ORANGE
8	1	REAR SEAL COVER	>PBT-GF20<	GREY
5	1	LOCKING LEVER R&L S4	>PBT-GF30<	BLACK
4	1	TPA	>PBT-GF20<	YELLOW
3	1	PERMETER SEAL SIZE 4	Silicon	ORANGE
2	1	HOUSING TOP PART	>PBT-GF20<	BROWN BLACK
1	1	HOUSING BOTTOM PART	>PBT-GF20<	BROWN BROWN GREY

**MARKINGS:**

- ① - Tracking N° for assembled connector.  
(Year & Day)
- ② - Cavities identification (N°).
- ③ - Lever sens indicator.  
Visible letter "D" = Housing with lever on the RIGHT.  
(Lever on the opposite side of the SL Key)  
Visible letter "G" = Housing with lever on the LEFT.  
(Lever on the side of the SL Key)
- ④ - Supplier logo.
- ⑤ - Molex Area.

**NOTES:**

- 1- The represented female connector is the "D" version (Way out on the Right), Black coding.
- 2- Application Spec: AS-64321-001
- 3- Plugs & caps used:  
Cavities 06: plug: 0643251010  
Cavities 15: plug: 0643251023  
Cavities 2,8: cap: 0643251091
- 4- Weight: 50,8 g
- 5- The assembled female connector matches with the cover CMC 53W (P/N: 064321101)

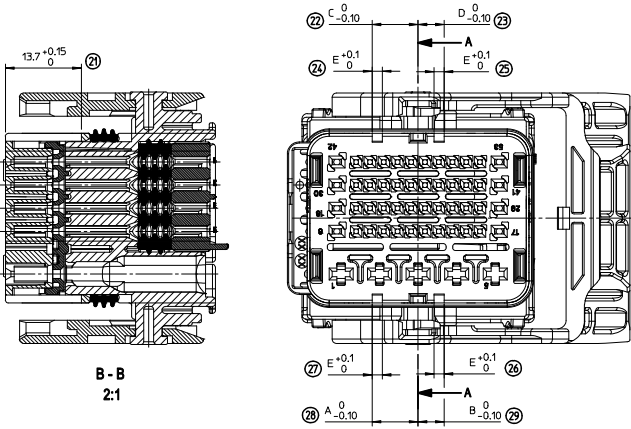
← Clamping areas on male connector.

ACCORDING FPIR EC NO. G2009-0092 DRAWING DESIGNED BY: CHYKAO.PLESSIS 2008/11/05 APPR: EBOLICHAU 2008/11/05 REV	GENERAL TOLERANCES (UNLESS SPECIFIED)	DIMENSION STYLE MM ONLY	SCALE 1:1	DESIGN UNITS METRIC	FIRST ANGLE PROJECTION	
	4 PLACES ± --- ± --- 3 PLACES ± --- ± --- 2 PLACES ± 0.05 ± --- 1 PLACE ± 0.1 ± --- ANGULAR ± 2 °	DRAWN BY DATE G.DESBRUERES 2007/09/05 CHECKED BY DATE J.PLESSIS 2007/09/06 APPROVED BY DATE L.STICKEIR 2007/09/07	TITLE <b>CMC FEMALE MODULE 53W          GENERIC SALES DRAWING</b>			
	DRAFT WHERE APPLICABLE MUST REMAIN WITHIN DIMENSIONS		SEE CHARTS		MATERIAL NO. DOCUMENT NO. SD-64321-001 MOLEX INCORPORATED	
	THIS DRAWING CONTAINS INFORMATION THAT IS PROPRIETARY TO MOLEX INCORPORATED AND SHOULD NOT BE USED WITHOUT WRITTEN PERMISSION					

ib\_frame\_A2\_P\_AM\_F 12 11 10 9 8 7 6 5 4 3 2 1  
 Rev. E 2006/04/15

**CODINGS**

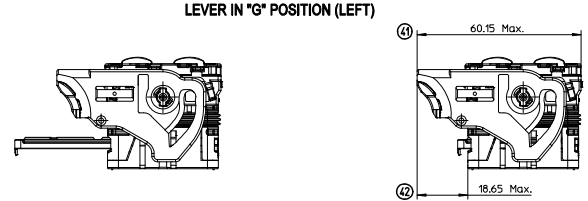
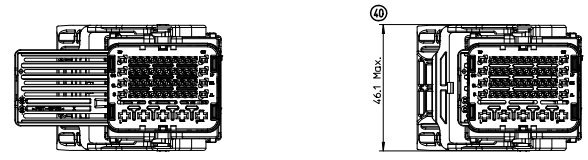
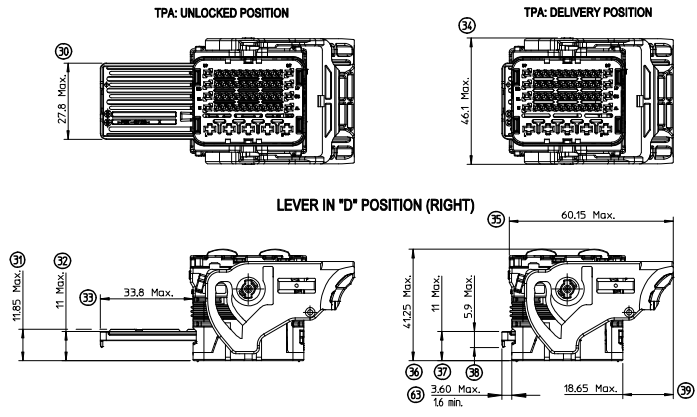
**FEMALE HOUSING WITH THE LEVER ON "D" (RIGHT) POSITION.**



**B - B**  
2:1

COLOR	CODING	A $\frac{0}{-0.1}$	B $\frac{0}{-0.1}$	C $\frac{0}{-0.1}$	D $\frac{0}{-0.1}$	E $\frac{0}{-0.1}$
BLACK	1	8,4	4,8	8,4	4,8	1,8
GREY	2	8,4	6,6	6,6	6,6	1,8
BROWN	3	8,4	8,4	4,8	10,2	1,8

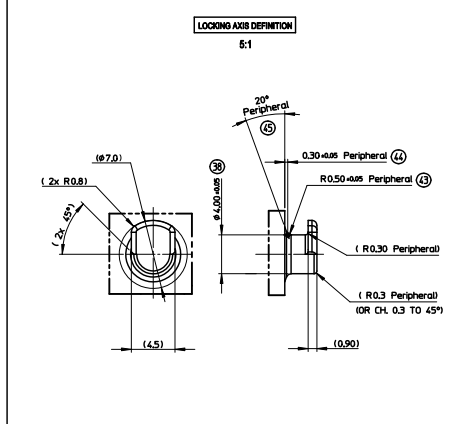
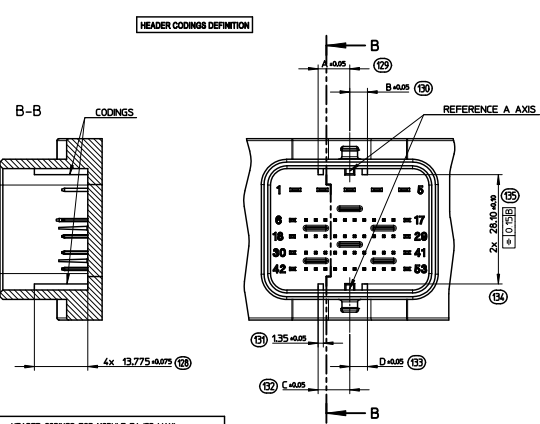
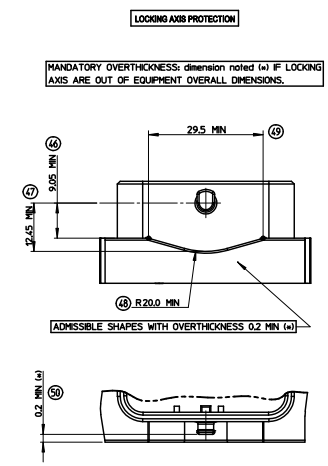
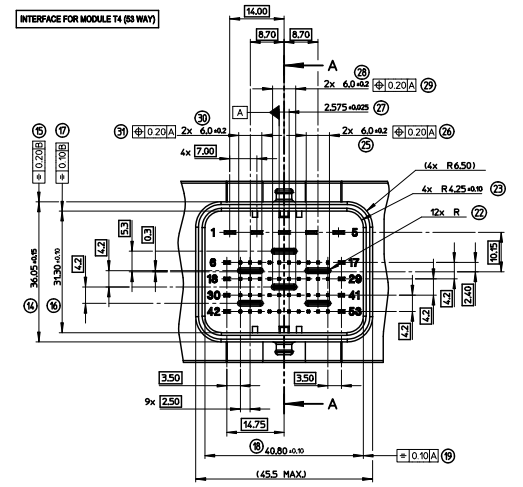
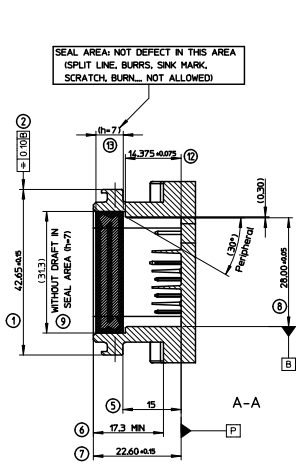
**MODULE OVERALL DIMENSIONS:**



TERMINALS' P/N(S)							
CAVITIES N°	FEMALE TERMINALS (Section mm2)	PLATING	MOLEX PIN	WIRE SEAL	min / MAX WIRE INSULATION DIAMETER		
7 to 16 19 to 28 31 to 40 43 to 52	CP 0.6 (0.35mm2)	Tin plated	0643221019		$\varnothing$ 1.25 min. / $\varnothing$ 1.40 Max.		
		Gold plated	0643221229				
	CP 0.6 (0.5mm2)	Tin plated	0643221039				
		Gold plated	0643221239				
6, 17, 18 29, 30, 41 42, 53	CP 0.6 (0.75mm2)	Tin plated	0643221029		$\varnothing$ 1.60 min. / $\varnothing$ 1.90 Max.		
		Gold plated	0643221219				
	CP 1.5 (0.5mm2 to 1mm2)	Tin plated	0643231029				
		Gold plated	0643231319				
1 to 5	CP 1.5 (>1mm2 to 2mm2)	Tin plated	0643231039		$\varnothing$ 2.10 min. / $\varnothing$ 2.80 Max.		
		Gold plated	0643231219				
	CP 2.8 (>0.5mm2 to 1mm2)	Tin plated	0643241049			0643251162	$\varnothing$ 1.40 min. / $\varnothing$ 2.15 Max.
		Gold plated	0643241149				
CP 2.8 (>1mm2 to 2mm2)	Tin plated	0643241039	0643251175	$\varnothing$ 2.10 min. / $\varnothing$ 2.80 Max.			
	Gold plated	0643241139					
CP 2.8 (>2mm2 to 3mm2)	Tin plated	0643241029	0643251188	$\varnothing$ 2.65 min. / $\varnothing$ 3.45 Max.			
	Gold plated	0643241129					
CP 2.8 (>3mm2 to 5mm2)	Tin plated	0643241019	0643251196	$\varnothing$ 3.40 min. / $\varnothing$ 4.00 Max.			
	Gold plated	0643241119					

ACCORDING FPIR EC NO. G2009-009Z DRAWING DESBRUERES 2008/10/23 CHK'D: PLESSIS 2008/11/05 APPR: BROUCHAN 2008/11/05 REV:	GENERAL TOLERANCES (UNLESS SPECIFIED) 4 PLACES ± --- ± --- 3 PLACES ± --- ± --- 2 PLACES ± 0.05 ± --- 1 PLACE ± 0.1 ± --- ANGULAR ± 2°	DIMENSION STYLE MM ONLY DRAWN BY DATE G. DESBRUERES 2007/09/05 CHECKED BY DATE O. PLESSIS 2007/09/06 APPROVED BY DATE L. STICKEIR 2007/09/07 MATERIAL NO. DOCUMENT NO.	SCALE 1.5:1 DESIGN UNITS METRIC FIRST ANGLE PROJECTION	TITLE CMC FEMALE MODULE 53W GENERIC SALES DRAWING
	MOLEX INCORPORATED			SHEET NO. 2 OF 2
	DRAFT WHERE APPLICABLE MUST REMAIN WITHIN DIMENSIONS			SEE SHEET 1 THIS DRAWING CONTAINS INFORMATION THAT IS PROPRIETARY TO MOLEX INCORPORATED AND SHOULD NOT BE USED WITHOUT WRITTEN PERMISSION
	SD-64321-001			SHEET NO. 2 OF 2

20 19 18 17 16 15 14 13 12 11 10 9 8 7 6 5 4 3 2 1



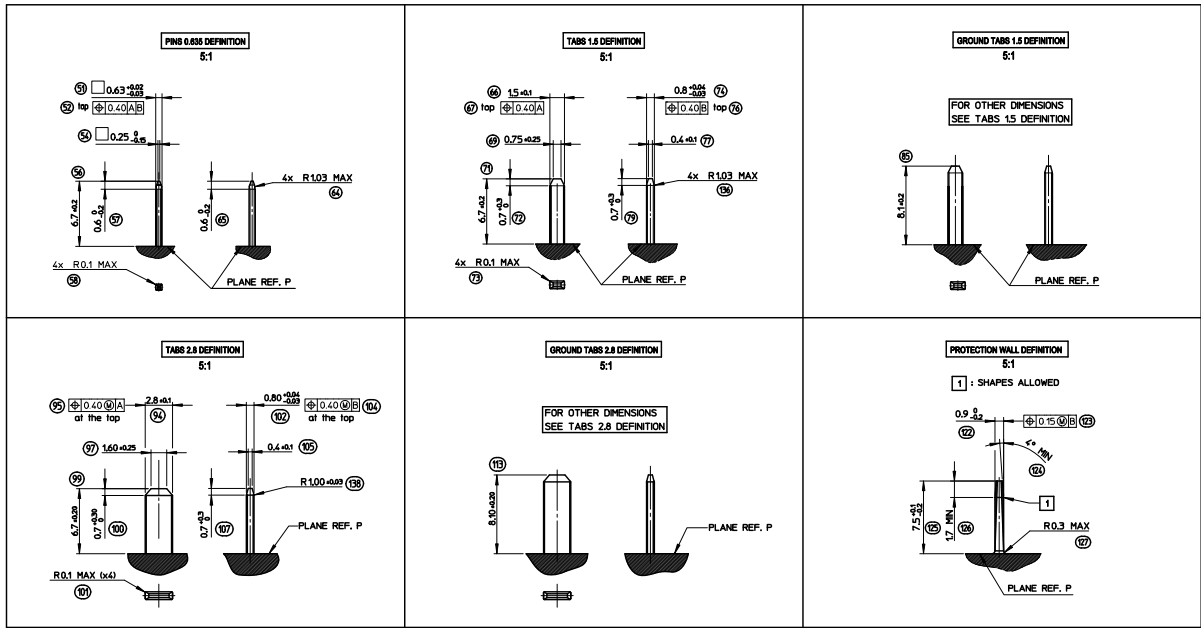
NOTE:  
1- HEADER: ELASTICITY MODULUS MIN 8000Mpa  
INITIAL CONDITION BEFORE AGEING

HEADER CODINGS FOR MODULE T4 (83 WAY)					
COLOR	CODING	DKL A	DKL B	DKL C	DKL D
BLACK	1	8.15	4.35	8.15	4.55
GREY	2	8.15	6.35	6.35	6.35
BROWN	3	8.15	8.15	4.55	9.95
GREEN	4	4.55	9.95	8.15	11.75
BLUE	5				
YELLOW	6				

E.C. NO.: 62014-0079 DRAWN BY: PDECHELE CHECKED BY: DPLESSIS APPROVED BY: CBOUCHAN DATE: 2010/12/07 DATE: 2010/12/07 DATE: 2011/01/17	QUALITY SYMBOLS ∇=0 ∇=0 ∇=0	GENERAL TOLERANCES (UNLESS SPECIFIED) DIM INCH 4 PLACES ± --- ± --- 3 PLACES ± --- ± --- 2 PLACES ± 0.10 ± --- 1 PLACE ± 0.10 ± --- ANGULAR ± 2 °	DIMENSION STYLE MM ONLY	SCALE 2:1	DESIGN UNITS METRIC	FIRST ANGLE PROJECTION
			DRAWN BY: PDECHELE DATE: 2010/12/07	CHECKED BY: DPLESSIS DATE: 2010/12/07	APPROVED BY: CBOUCHAN DATE: 2011/01/17	MATERIAL NO.: N/A

to: from: A1\_P\_AM\_F  
Rev. F 2009/06/18

19 18 17 16 15 14 13 12 11 10 9 8 7 6 5 4 3 2 1

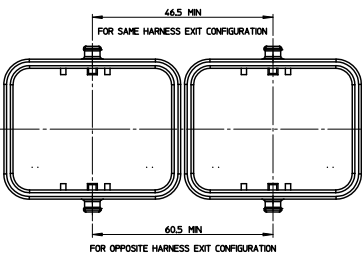


I.C. NO. 62015-0079 DRAWN BY PDECHELE 2010/12/07 CHECKED BY DPLESSIS 2010/12/07 APPROVED BY CBOUCHAN 2011/01/17	QUALITY SYMBOLS ∇=0 ∇=0 ∇=0	GENERAL TOLERANCES (UNLESS SPECIFIED): mm INCH		DIMENSION STYLE MM ONLY	SCALE 2:1	DESIGN UNITS METRIC	FIRST ANGLE PROJECTION	
		4 PLACES ± 0.10 3 PLACES ± 0.15 2 PLACES ± 0.20 1 PLACE ± 0.30	4 PLACES ± 0.004 3 PLACES ± 0.005 2 PLACES ± 0.007 1 PLACE ± 0.010	DRAWN BY PDECHELE 2010/12/07 CHECKED BY DPLESSIS 2010/12/07 APPROVED BY CBOUCHAN 2011/01/17	DATE DATE DATE	TITLE INTERFACE FOR MODULE CMC 53 CKT	MOLEX INCORPORATED DOCUMENT NO. SD-98995-009	
DRAFT WHERE APPLICABLE MUST REMAIN WITHIN DIMENSIONS		MATERIAL NO. N/A	SIZE A	THIS DRAWING CONTAINS INFORMATION THAT IS PROPRIETARY TO MOLEX INCORPORATED AND SHOULD NOT BE USED WITHOUT WRITTEN PERMISSION				SHEET NO. 2 OF 3

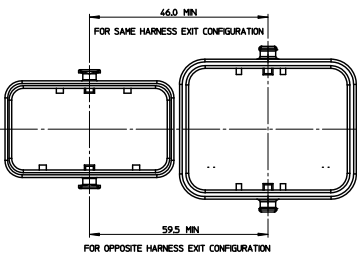
20 19 18 17 16 15 14 13 12 11 10 9 8 7 6 5 4 3 2 1

**MULTI-HEADERS LAYOUT**

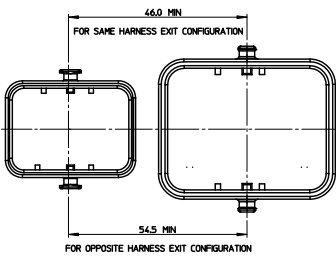
LAYOUT FOR TWO INTERFACES T4 (53W)



LAYOUT FOR TWO INTERFACES T4 (53W) AND T3 (48W)



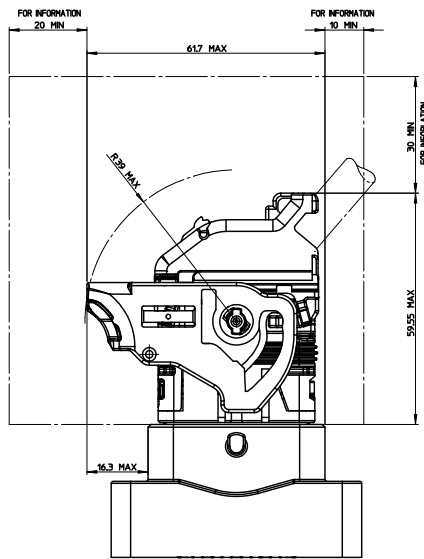
LAYOUT BETWEEN TWO INTERFACES T4 (53W) AND T2 (32W)



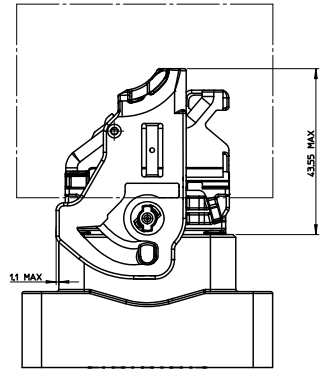
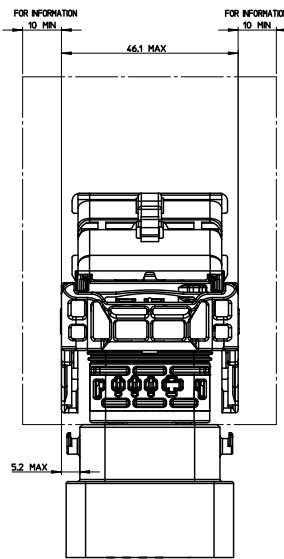
**CONNECTOR ON HEADER - OVERALL DIMENSIONS**

LEGEND:  
 FREE VOLUME FOR MANUAL LOCKING AND UNLOCKING DIMENSIONS GIVEN FOR INFORMATION ONLY TO BE CONFIRMED BASED UPON VEHICLE CONFIGURATION.

UNLOCKED CONNECTOR OVERALL DIMENSIONS



LOCKED CONNECTOR OVERALL DIMENSIONS



E.C. NO. 62001-0079 DRAWN BY: 2010/12/07 CHECKED BY: 2010/12/07 APPROVED BY: 2011/01/17 APPROVED BY: 2011/01/17	QUALITY SYMBOLS	GENERAL TOLERANCES (UNLESS SPECIFIED)	DIMENSION STYLE	SCALE	DESIGN UNIT'S	FIRST ANGLE PROJECTION
	▽=0	mm INCH	MM ONLY	2:1	METRIC	
	▽=0	4 PLACES ± --- ± ---	DRAWN BY	DATE	TITLE	
	▽=0	3 PLACES ± 0.10 ± ---	PDECHELE	2010/12/07	INTERFACE FOR MODULE CMC 53 CKT	
▽=0	2 PLACES ± 0.10 ± ---	CHECKED BY	DATE	MOLEX INCORPORATED		
▽=0	1 PLACE ± 0.10 ± ---	DPLESSIS	2010/12/07	SD-98995-009		
▽=0	ANGULAR ± 2 °	APPROVED BY	DATE	SHEET NO. 3 OF 3		
	DRAFT WHERE APPLICABLE MUST REMAIN WITHIN DIMENSIONS	CBOUCHAN	2011/01/17	THIS DRAWING CONTAINS INFORMATION THAT IS PROPRIETARY TO MOLEX INCORPORATED AND SHOULD NOT BE USED WITHOUT WRITTEN PERMISSION		
		MATERIAL NO.	N/A			
		DOCUMENT NO.				

19 18 17 16 15 14 13 12 11 10 9 8 7 6 5 4 3 2 1