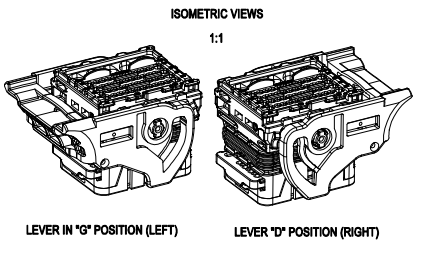
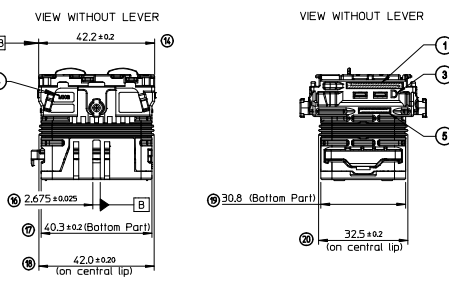
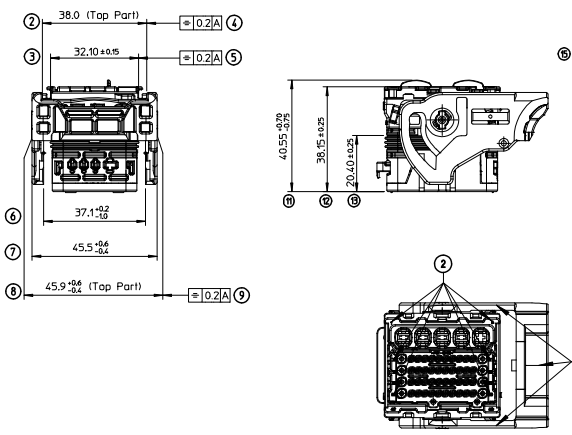
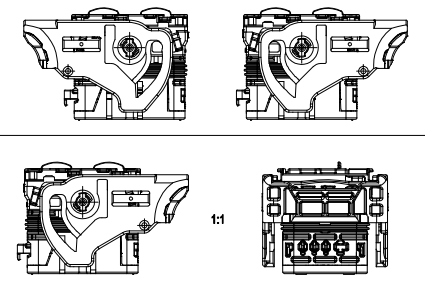


LEVER IN "G" POSITION (LEFT) (Position shown below)		LEVER IN "D" POSITION (RIGHT) (Position shown below)	
MOLEX P/N	COLOR	MOLEX P/N	COLOR
0643211011	BLACK	0643212011	BLACK
0643211018	GREY	0643212018	GREY
0643211019	BROWN	0643212019	BROWN



POS.	QTY	DESCRIPTION	MATERIAL	COLOR
7	1	BACK SEAL "GROMMET"	Silicon	ORANGE
8	1	REAR SEAL COVER	>PBT-GF20<	GREY
5	1	LOCKING LEVER R&L S4	>PBT-GF30<	BLACK
4	1	TPA	>PBT-GF20<	YELLOW
3	1	PERMETER SEAL SIZE 4	Silicon	ORANGE
2	1	HOUSING TOP PART	>PBT-GF20<	BROWN
				BLACK
1	1	HOUSING BOTTOM PART	>PBT-GF20<	BROWN
				GREY

**MARKINGS:**

- ① - Tracking N° for assembled connector.  
(Year & Day)
- ② - Cavities identification (N°).
- ③ - Lever sens indicator.  
Visible letter "D" = Housing with lever on the RIGHT.  
(Lever on the opposite side of the SL Key)  
Visible letter "G" = Housing with lever on the LEFT.  
(Lever on the side of the SL Key)
- ④ - Supplier logo.
- ⑤ - Molex Area.

**NOTES:**

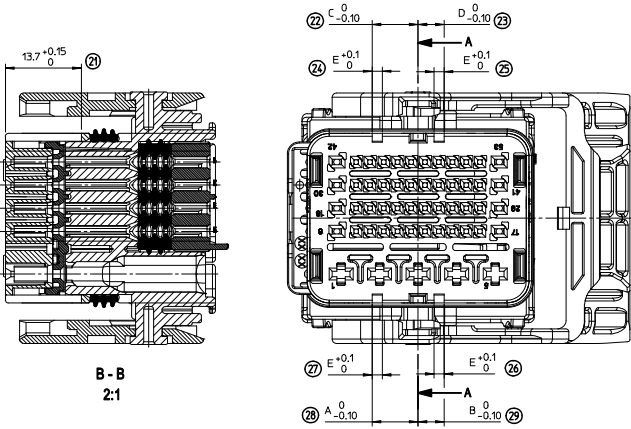
- 1- The represented female connector is the "D" version (Way out on the Right), Black coding.
- 2- Application Spec: AS-64321-001
- 3- Plugs & caps used:  
Cavities 06: plug: 0643251010  
Cavities 15: cap: 0643251023  
Cavities 2,8: cap: 0643251091
- 4- Weight: 50,8 g
- 5- The assembled female connector matches with the cover CMC 53W (P/N: 064321101)

← Clamping areas on male connector.

ACCORDING FPIR EC NO. G2009-0092 DRAWING DESIGNED BY: CHYKAO.PLESSIS 2008/11/05 APPR: EBOLICHAU 2008/11/05 REV	GENERAL TOLERANCES (UNLESS SPECIFIED)	DIMENSION STYLE MM ONLY	SCALE 1:1	DESIGN UNITS METRIC	FIRST ANGLE PROJECTION	
	4 PLACES ± --- ± --- 3 PLACES ± --- ± --- 2 PLACES ± 0.05 ± --- 1 PLACE ± 0.1 ± --- ANGULAR ± 2 °	DRAWN BY DATE G.DESBRUERES 2007/09/05 CHECKED BY DATE J.PLESSIS 2007/09/06 APPROVED BY DATE L.STICKEIR 2007/09/07	TITLE CMC FEMALE MODULE 53W GENERIC SALES DRAWING			
	DRAFT WHERE APPLICABLE MUST REMAIN WITHIN DIMENSIONS		SEE CHARTS		MATERIAL NO. SD-64321-001	SHEET NO. 1 OF 2
	THIS DRAWING CONTAINS INFORMATION THAT IS PROPRIETARY TO MOLEX INCORPORATED AND SHOULD NOT BE USED WITHOUT WRITTEN PERMISSION					

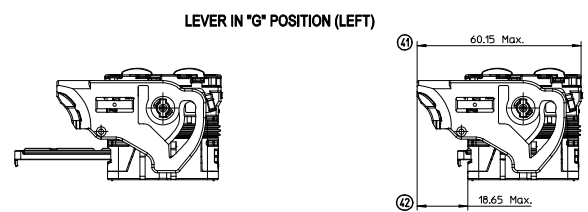
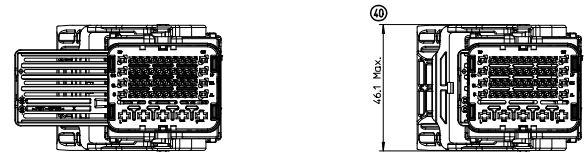
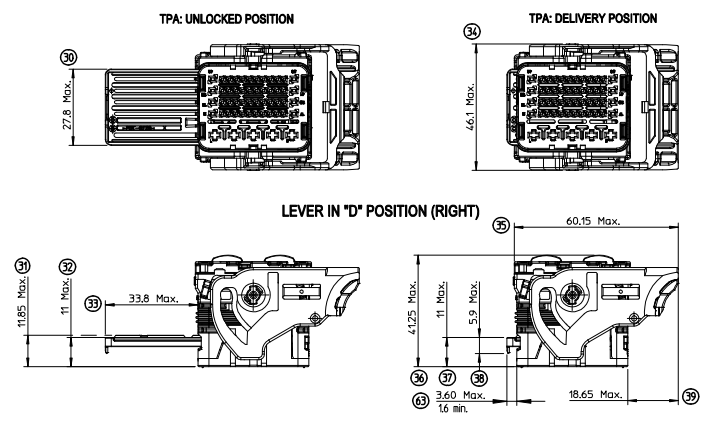
**CODINGS**

**FEMALE HOUSING WITH THE LEVER ON "D" (RIGHT) POSITION.**



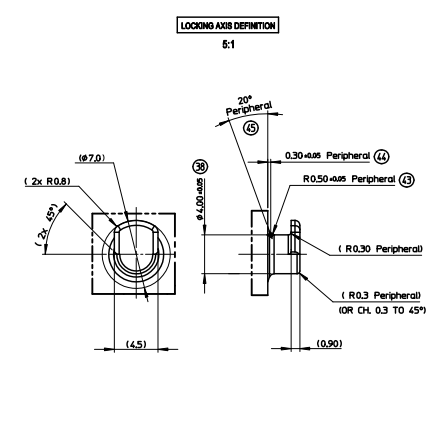
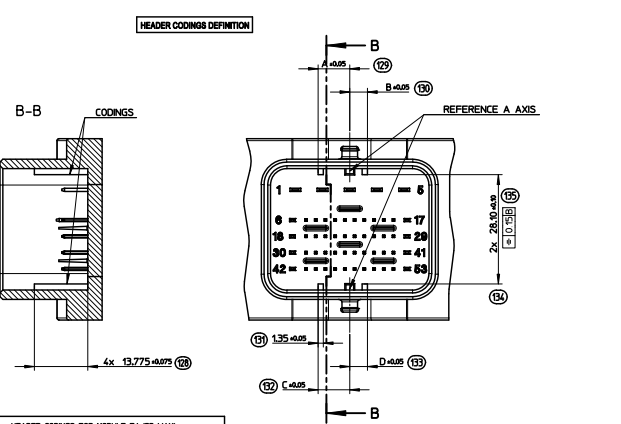
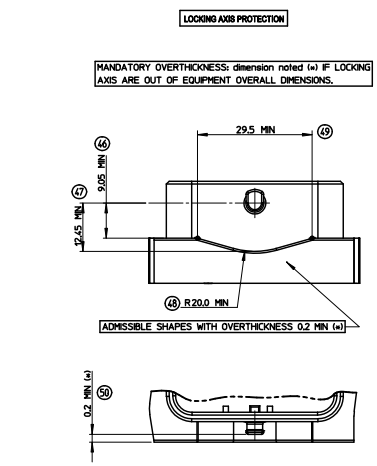
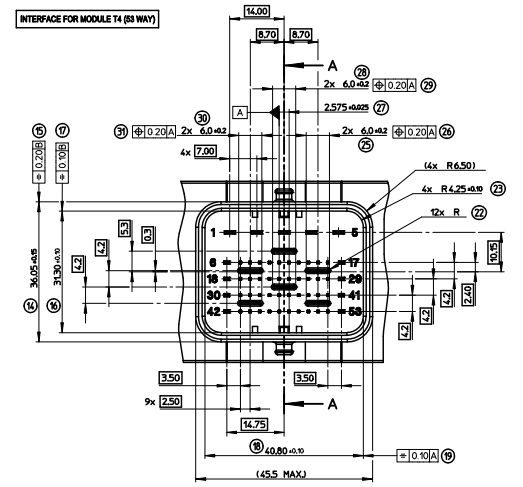
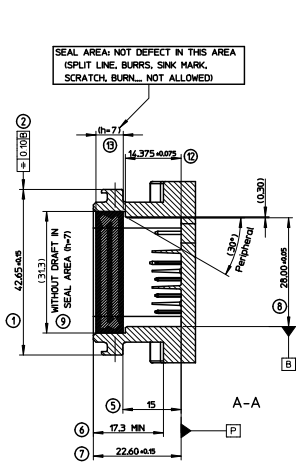
COLOR	CODING	A $\frac{0}{-0.1}$	B $\frac{0}{-0.1}$	C $\frac{0}{-0.1}$	D $\frac{0}{-0.1}$	E $\frac{0.1}{0}$
BLACK	1	8,4	4,8	8,4	4,8	1,8
GREY	2	8,4	6,6	6,6	6,6	1,8
BROWN	3	8,4	8,4	4,8	10,2	1,8

**MODULE OVERALL DIMENSIONS:**



TERMINALS' P/N(S)							
CAVITIES N°	FEMALE TERMINALS (Section mm2)	PLATING	MOLEX PIN	WIRE SEAL	min / MAX WIRE INSULATION DIAMETER		
7 to 16 19 to 28 31 to 40 43 to 52	CP 0.6 (0.35mm2)	Tin plated	0643221019		Ø1.25 min. / Ø1.40 Max.		
		Gold plated	0643221229				
	CP 0.6 (0.5mm2)	Tin plated	0643221039				
		Gold plated	0643221239				
6, 17, 18 29, 30, 41 42, 53	CP 0.6 (0.75mm2)	Tin plated	0643221029		Ø1.60 min. / Ø1.90 Max.		
		Gold plated	0643221219				
	CP 1.5 (0.5mm2 to 1mm2)	Tin plated	0643231029				
		Gold plated	0643231319				
1 to 5	CP 1.5 (>1mm2 to 2mm2)	Tin plated	0643231039		Ø2.10 min. / Ø2.80 Max.		
		Gold plated	0643231219				
	CP 2.8 (>0.5mm2 to 1mm2)	Tin plated	0643241049			0643251162	Ø1.40 min. / Ø2.15 Max.
		Gold plated	0643241149				
CP 2.8 (>1mm2 to 2mm2)	Tin plated	0643241039	0643251175	Ø2.10 min. / Ø2.80 Max.			
	Gold plated	0643241139					
CP 2.8 (>2mm2 to 3mm2)	Tin plated	0643241029	0643251188	Ø2.65 min. / Ø3.45 Max.			
	Gold plated	0643241129					
CP 2.8 (>3mm2 to 5mm2)	Tin plated	0643241019	0643251196	Ø3.40 min. / Ø4.00 Max.			
	Gold plated	0643241119					

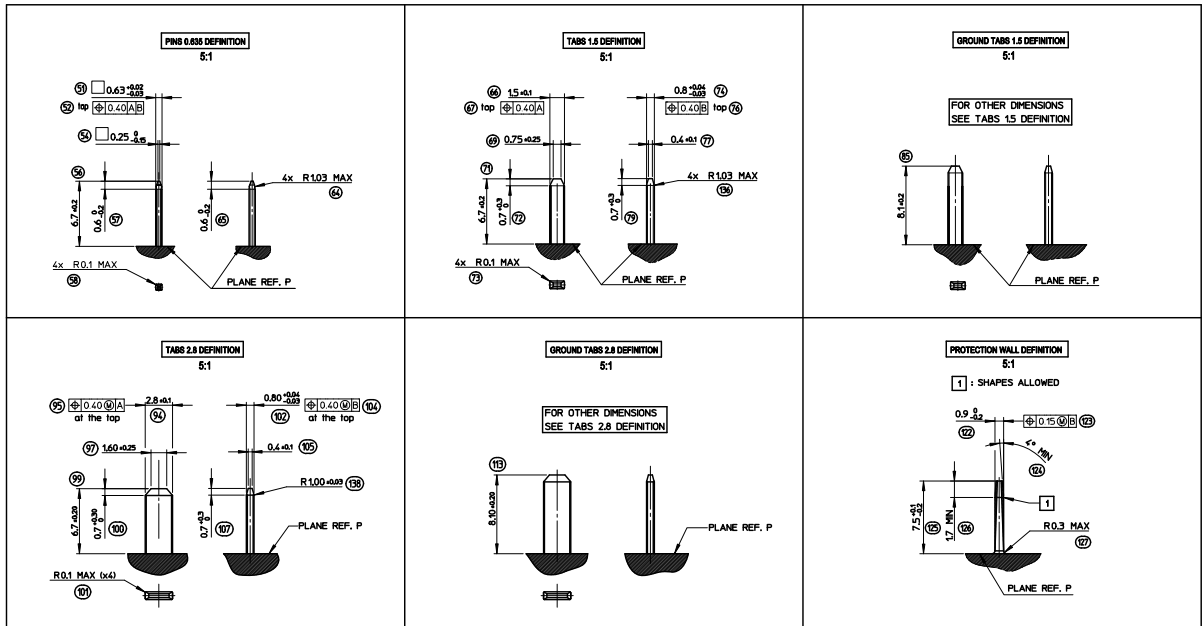
ACCORDING FPIR EC NO. G2009-009Z DRWING DESBRUERES 2008/10/23 CHK'D O. PLESSIS 2008/11/05 APPR: EBOUCHAN 2008/11/05 REV DESCRIPTION	GENERAL TOLERANCES (UNLESS SPECIFIED) 4 PLACES ± --- ± --- 3 PLACES ± --- ± --- 2 PLACES ± 0.05 ± --- 1 PLACE ± 0.1 ± --- ANGULAR ± 2 °	DIMENSION STYLE MM ONLY DRAWN BY DATE G. DESBRUERES 2007/09/05 CHECKED BY DATE O. PLESSIS 2007/09/06 APPROVED BY DATE L. STICKEIR 2007/09/07 MATERIAL NO. DOCUMENT NO.	SCALE 1.5:1 DESIGN UNITS METRIC FIRST ANGLE PROJECTION	TITLE CMC FEMALE MODULE 53W GENERIC SALES DRAWING
	DRAFT WHERE APPLICABLE MUST REMAIN WITHIN DIMENSIONS	SEE SHEET 1 SIZE A2 THIS DRAWING CONTAINS INFORMATION THAT IS PROPRIETARY TO MOLEX INCORPORATED AND SHOULD NOT BE USED WITHOUT WRITTEN PERMISSION	MOLEX INCORPORATED	SD-64321-001 SHEET NO. 2 OF 2



NOTE:  
1- HEADER: ELASTICITY MODULUS MIN 8000Mpa  
INITIAL CONDITION BEFORE AGEING

HEADER CODINGS FOR MODULE T4 (83 WAY)					
COLOR	CODING	DKL A	DKL B	DKL C	DKL D
BLACK	1	8.15	4.35	8.15	4.55
GREY	2	8.15	6.35	6.35	6.35
BROWN	3	8.15	8.15	4.55	9.95
GREEN	4	4.55	9.95	8.15	11.75
BLUE	5				
YELLOW	6				

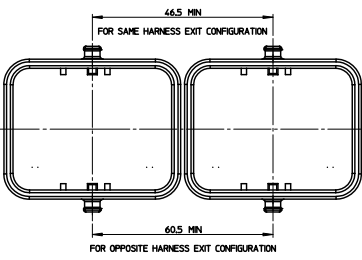
E.C. NO.: 62014-0079 DRAWN BY: PDECHELE CHECKED BY: DPLESSIS APPROVED BY: CBOUCHAN	QUALITY SYMBOLS ∇=0 ∇=0 ∇=0	GENERAL TOLERANCES (UNLESS SPECIFIED) mm INCH	DIMENSION STYLE MM ONLY	SCALE 2:1	DESIGN UNITS METRIC	FIRST ANGLE PROJECTION
		4 PLACES ± 0.10 3 PLACES ± 0.10 2 PLACES ± 0.10 1 PLACE ± 0.10	DRAWN BY: PDECHELE DATE: 2010/12/07 CHECKED BY: DPLESSIS DATE: 2010/12/07 APPROVED BY: CBOUCHAN DATE: 2011/01/17	MATERIAL NO.: N/A	DOCUMENT NO.: SD-98995-009	SHEET NO.: 1 OF 3



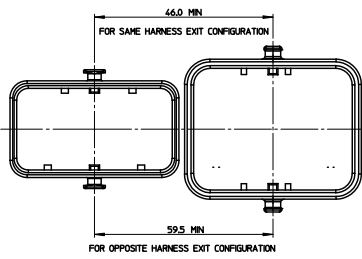
I.C. NO. 62015-0079 DRAWN BY PDECHELE 2010/12/07 CHECKED BY DPLESSIS 2010/12/07 APPROVED BY CBOUCHAN 2011/01/17	QUALITY SYMBOLS ∇=0 ∇=0 ∇=0	GENERAL TOLERANCES (UNLESS SPECIFIED): mm INCH		DIMENSION STYLE MM ONLY	SCALE 2:1	DESIGN UNITS METRIC	FIRST ANGLE PROJECTION	
		4 PLACES ±0.10 3 PLACES ±0.15 2 PLACES ±0.20 1 PLACE ±0.30	4 PLACES ±0.004 3 PLACES ±0.005 2 PLACES ±0.007 1 PLACE ±0.010	DRAWN BY PDECHELE 2010/12/07 CHECKED BY DPLESSIS 2010/12/07 APPROVED BY CBOUCHAN 2011/01/17	DATE DATE DATE	TITLE INTERFACE FOR MODULE CMC 53 CKT	MOLEX INCORPORATED DOCUMENT NO. SD-98995-009	
DRAFT WHERE APPLICABLE MUST REMAIN WITHIN DIMENSIONS		MATERIAL NO. N/A	SIZE A	THIS DRAWING CONTAINS INFORMATION THAT IS PROPRIETARY TO MOLEX INCORPORATED AND SHOULD NOT BE USED WITHOUT WRITTEN PERMISSION				

**MULTI-HEADERS LAYOUT**

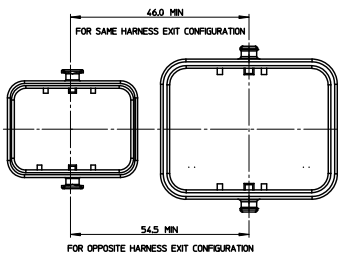
LAYOUT FOR TWO INTERFACES T4 (53W)



LAYOUT FOR TWO INTERFACES T4 (53W) AND T3 (48W)



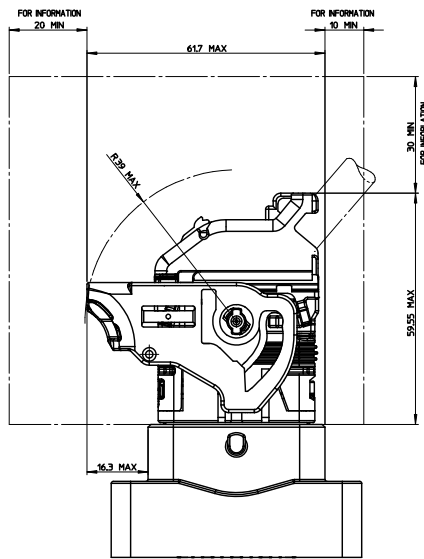
LAYOUT BETWEEN TWO INTERFACES T4 (53W) AND T2 (32W)



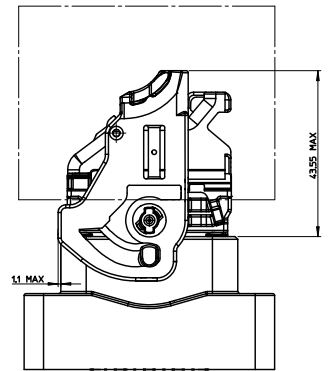
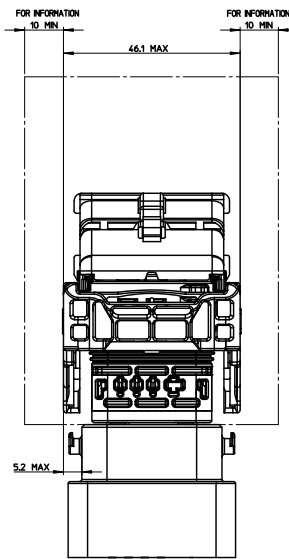
**CONNECTOR ON HEADER - OVERALL DIMENSIONS**

LEGEND:  
 FREE VOLUME FOR MANUAL LOCKING AND UNLOCKING DIMENSIONS GIVEN FOR INFORMATION ONLY TO BE CONFIRMED BASED UPON VEHICLE CONFIGURATION.

UNLOCKED CONNECTOR OVERALL DIMENSIONS



LOCKED CONNECTOR OVERALL DIMENSIONS



E.C. NO.: 620014-0079 DRAWN BY: PDECHELE CHECKED BY: DPLESSIS APPROVED BY: CBOUCHAN	2010/12/07 2010/12/07 2011/01/17	QUALITY SYMBOLS ∇=0 ∇=0 ∇=0 ∇=0	GENERAL TOLERANCES (UNLESS SPECIFIED) mm INCH 4 PLACES ± 0.10 ± 0.004 3 PLACES ± 0.15 ± 0.005 2 PLACES ± 0.20 ± 0.008 1 PLACE ± 0.30 ± 0.012 ANGULAR ± 2 °	DIMENSION STYLE MM ONLY	SCALE 2:1	DESIGN UNIT'S METRIC	FIRST ANGLE PROJECTION
	DRAWN BY: PDECHELE CHECKED BY: DPLESSIS APPROVED BY: CBOUCHAN	DATE: 2010/12/07 DATE: 2010/12/07 DATE: 2011/01/17	MATERIAL NO.: N/A	DOCUMENT NO.: SD-98995-009	TITLE: INTERFACE FOR MODULE CMC 53 CKT	MOLEX INCORPORATED	SHEET NO.: 3 OF 3
	DRAFT WHERE APPLICABLE MUST REMAIN WITHIN DIMENSIONS						
	THIS DRAWING CONTAINS INFORMATION THAT IS PROPRIETARY TO MOLEX INCORPORATED AND SHOULD NOT BE USED WITHOUT WRITTEN PERMISSION						