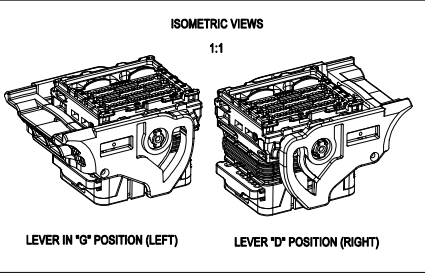
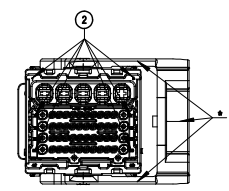
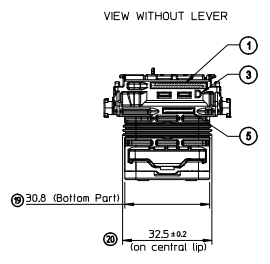
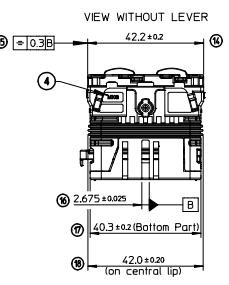
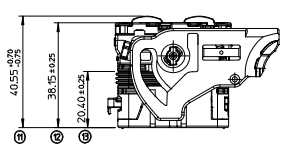
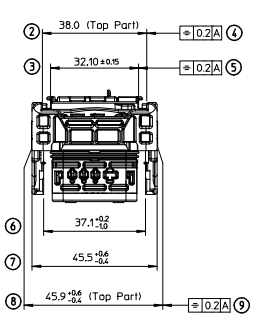
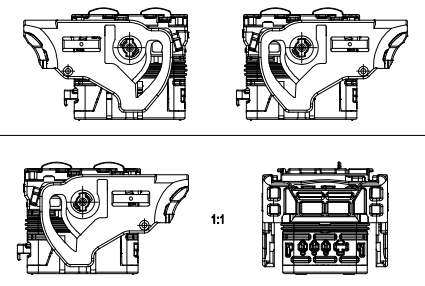


LEVER IN "G" POSITION (LEFT) (Position shown below)		LEVER IN "D" POSITION (RIGHT) (Position shown below)	
MOLEX P/N	COLOR	MOLEX P/N	COLOR
0643211011	BLACK	0643212011	BLACK
0643211018	GREY	0643212018	GREY
0643211019	BROWN	0643212019	BROWN



POS.	QTY	DESCRIPTION	MATERIAL	COLOR
7	1	BACK SEAL "GROMMET"	Silicon	ORANGE
8	1	REAR SEAL COVER	>PBT-GF20<	GREY
5	1	LOCKING LEVER R&L S4	>PBT-GF30<	BLACK
4	1	TPA	>PBT-GF20<	YELLOW
3	1	PERMETER SEAL SIZE 4	Silicon	ORANGE
2	1	HOUSING TOP PART	>PBT-GF20<	BROWN BLACK
1	1	HOUSING BOTTOM PART	>PBT-GF20<	BROWN BROWN GREY

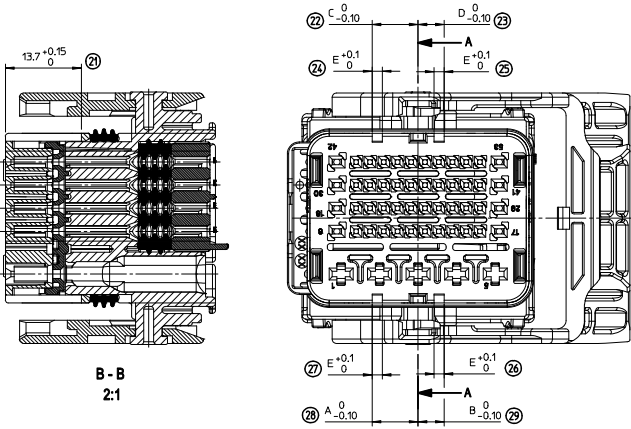
- MARKINGS:**
- ① - Tracking N° for assembled connector.
(Year & Day)
 - ② - Cavities identification (N°).
 - ③ - Lever sens indicator.
Visible letter "D" = Housing with lever on the RIGHT.
(Lever on the opposite side of the SL Key)
Visible letter "G" = Housing with lever on the LEFT.
(Lever on the side of the SL Key)
 - ④ - Supplier logo.
 - ⑤ - Molex Area.

- NOTES:**
- 1- The represented female connector is the "D" version (Way out on the Right), Black coding.
 - 2- Application Spec: AS-64321-001
 - 3- Plugs & caps used:
Cavities 06: plug: 0643251010
Cavities 15: plug: 0643251023
Cavities 2,8: cap: 0643251091
 - 4- Weight: 50,8 g
 - 5- The assembled female connector matches with the cover CMC 53W (P/N: 064321101)
- ↔ Clamping areas on male connector.

ACCORDING FPIR EC NO. G2009-0092 DRAWING DESIGNED BY: CHYKCHO, PLESSIS 2008/11/05 APPR: EBOLICHAN 2008/11/05 REV	GENERAL TOLERANCES (UNLESS SPECIFIED)	DIMENSION STYLE MM ONLY	SCALE 1:1	DESIGN UNITS METRIC	FIRST ANGLE PROJECTION	
	4 PLACES ± --- ± --- 3 PLACES ± --- ± --- 2 PLACES ± 0.05 ± --- 1 PLACE ± 0.1 ± --- ANGULAR ± 2 °	mm INCH ± --- ± --- ± --- ± --- ± --- ± --- ± --- ± ---	DRAWN BY DATE G. DESBRUERES 2007/09/05 CHECKED BY DATE J. PLESSIS 2007/09/06 APPROVED BY DATE L. STICKEIR 2007/09/07	TITLE CMC FEMALE MODULE 53W GENERIC SALES DRAWING		
	DRAFT WHERE APPLICABLE MUST REMAIN WITHIN DIMENSIONS		MATERIAL NO. SEE CHARTS	DOCUMENT NO. SD-64321-001	SHEET NO. 1 OF 2	
	THIS DRAWING CONTAINS INFORMATION THAT IS PROPRIETARY TO MOLEX INCORPORATED AND SHOULD NOT BE USED WITHOUT WRITTEN PERMISSION					

CODINGS

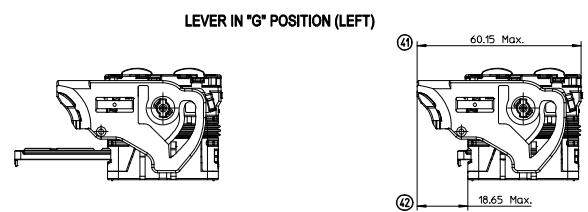
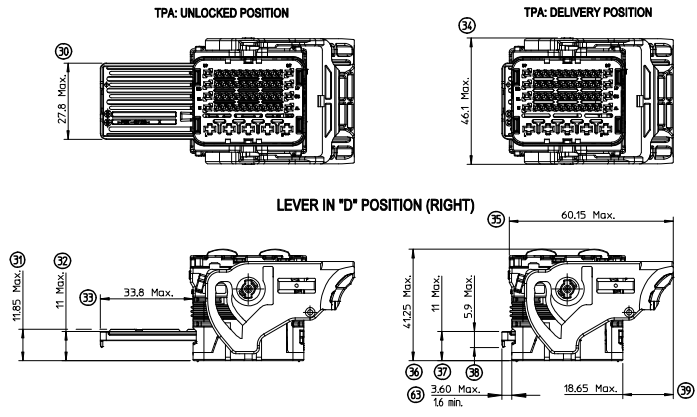
FEMALE HOUSING WITH THE LEVER ON "D" (RIGHT) POSITION.



B - B
2:1

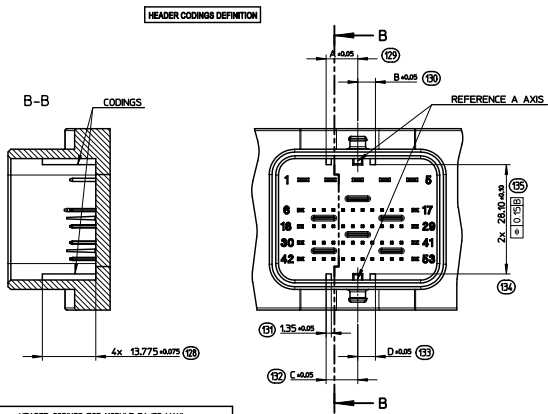
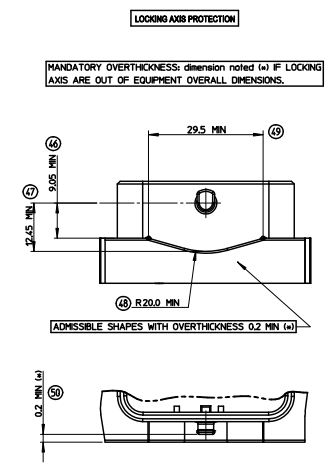
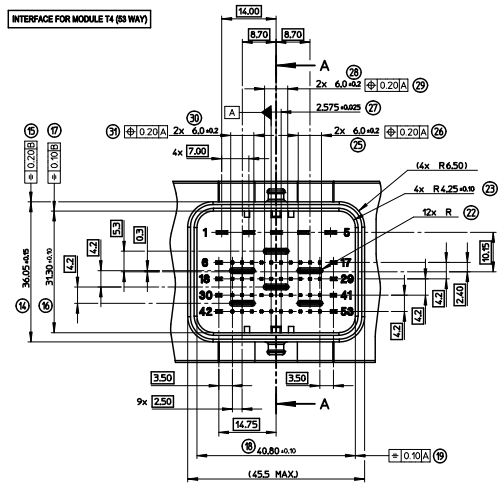
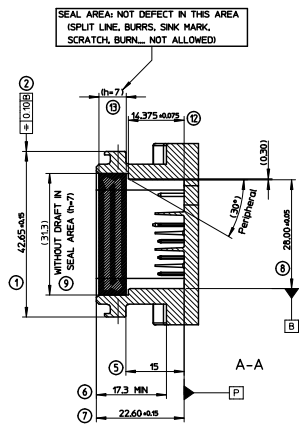
COLOR	CODING	A $\frac{0}{-0.1}$	B $\frac{0}{-0.1}$	C $\frac{0}{-0.1}$	D $\frac{0}{-0.1}$	E $\frac{0}{-0.1}$
BLACK	1	8,4	4,8	8,4	4,8	1,8
GREY	2	8,4	6,6	6,6	6,6	1,8
BROWN	3	8,4	8,4	4,8	10,2	1,8

MODULE OVERALL DIMENSIONS:

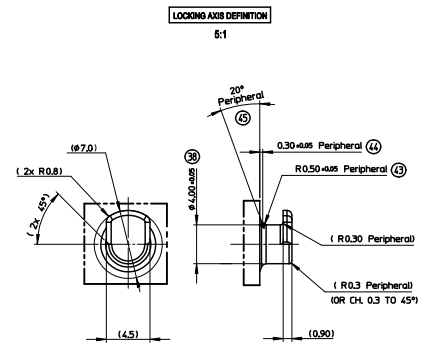


TERMINALS' P/N(S)						
CAVITIES N°	FEMALE TERMINALS (Section mm2)	PLATING	MOLEX PIN	WIRE SEAL	min / MAX WIRE INSULATION DIAMETER	
7 to 16 19 to 28 31 to 40 43 to 52	CP 0.6 (0.35mm2)	Tin plated	0643221019		\varnothing 1.25 min. / \varnothing 1.40 Max.	
		Gold plated	0643221229			
	CP 0.6 (0.5mm2)	Tin plated	0643221039		\varnothing 1.40 min. / \varnothing 1.70 Max.	
		Gold plated	0643221239			
6, 17, 18 29, 30, 41 42, 53	CP 0.6 (0.75mm2)	Tin plated	0643221029		\varnothing 1.60 min. / \varnothing 1.90 Max.	
		Gold plated	0643221219			
	CP 1.5 (0.5mm2 to 1mm2)	Tin plated	0643231029		\varnothing 1.45 min. / \varnothing 2.15 Max.	
		Gold plated	0643231319			
1 to 5	CP 1.5 (>1mm2 to 2mm2)	Tin plated	0643231039		\varnothing 2.10 min. / \varnothing 2.80 Max.	
		Gold plated	0643231219			
	CP 2.8 (>0.5mm2 to 1mm2)	Tin plated	0643241049		0643251162	\varnothing 1.40 min. / \varnothing 2.15 Max.
		Gold plated	0643241149			
CP 2.8 (>1mm2 to 2mm2)	CP 2.8 (>1mm2 to 2mm2)	Tin plated	0643241039	0643251175	\varnothing 2.10 min. / \varnothing 2.80 Max.	
		Gold plated	0643241139			
	CP 2.8 (>2mm2 to 3mm2)	Tin plated	0643241029	0643251188	\varnothing 2.65 min. / \varnothing 3.45 Max.	
		Gold plated	0643241129			
CP 2.8 (>3mm2 to 5mm2)	CP 2.8 (>3mm2 to 5mm2)	Tin plated	0643241019	0643251196	\varnothing 3.40 min. / \varnothing 4.00 Max.	
		Gold plated	0643241119			

ACCORDING FPIR EC NO. G2009-009Z DRAWING DESBRUERES 2008/10/23 CHK'D: PLESSIS 2008/11/05 APPR: BROUCHAN 2008/11/05 REV. DESCRIPTION	GENERAL TOLERANCES (UNLESS SPECIFIED) 4 PLACES ± --- ± --- 3 PLACES ± --- ± --- 2 PLACES ± 0.05 ± --- 1 PLACE ± 0.1 ± --- ANGULAR ± 2°	DIMENSION STYLE MM ONLY DRAWN BY DATE G. DESBRUERES 2007/09/05 CHECKED BY DATE O. PLESSIS 2007/09/06 APPROVED BY DATE L. STICKEIR 2007/09/07 MATERIAL NO.	SCALE 1.5:1 DESIGN UNITS METRIC FIRST ANGLE PROJECTION	TITLE CMC FEMALE MODULE 53W GENERIC SALES DRAWING
	DRAFT WHERE APPLICABLE MUST REMAIN WITHIN DIMENSIONS	SEE SHEET 1 SIZE A2 THIS DRAWING CONTAINS INFORMATION THAT IS PROPRIETARY TO MOLEX INCORPORATED AND SHOULD NOT BE USED WITHOUT WRITTEN PERMISSION	MOLEX INCORPORATED DOCUMENT NO. SD-64321-001	SHEET NO. 2 OF 2



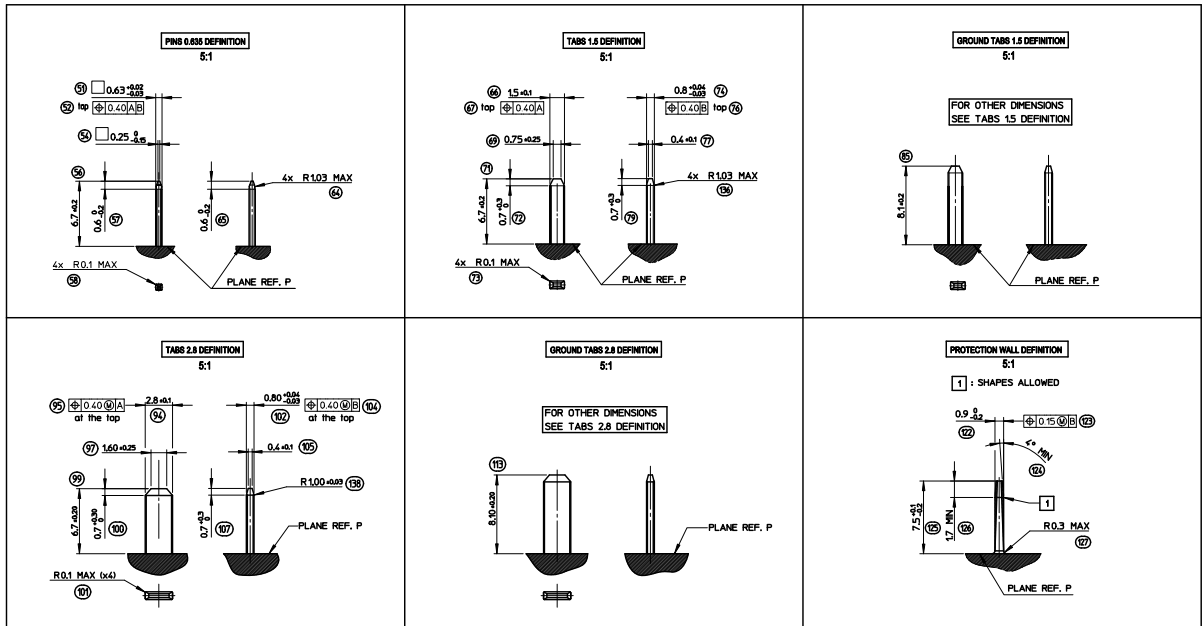
HEADER CODINGS FOR MODULE T4 (83 WAY)					
COLOR	CODING	DKL A	DKL B	DKL C	DKL D
BLACK	1	8.15	4.35	8.15	4.55
GREY	2	8.15	6.35	6.35	6.35
BROWN	3	8.15	8.15	4.55	9.95
GREEN	4	4.55	9.95	8.15	11.75
BLUE	5				
YELLOW	6				



NOTE:
1- HEADER: ELASTICITY MODULUS MIN 8000Mpa
INITIAL CONDITION BEFORE AGEING

E.C. NO.: 62014-0079 DRAWN BY: PDECHELE CHECKED BY: DPLESSIS APPROVED BY: CBOUCHAN DATE: 2010/12/07 DATE: 2010/12/07 DATE: 2011/01/17	QUALITY SYMBOLS ∇=0 ∇=0 ∇=0	GENERAL TOLERANCES (UNLESS SPECIFIED) mm INCH 4 PLACES ± --- ± --- 3 PLACES ± 0.10 ± --- 2 PLACES ± 0.10 ± --- 1 PLACE ± 0.10 ± --- ANGULAR ± 2 °	DIMENSION STYLE: MM ONLY SCALE: 2:1 DESIGN UNITS: METRIC FIRST ANGLE PROJECTION
	DRAWN BY: PDECHELE CHECKED BY: DPLESSIS APPROVED BY: CBOUCHAN DATE: 2010/12/07 DATE: 2010/12/07 DATE: 2011/01/17	MATERIAL NO.: N/A DOCUMENT NO.: SD-98995-009	TITLE: INTERFACE FOR MODULE CMC 53 CKT MOLEX INCORPORATED

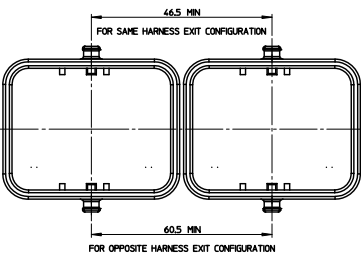
to: from: A1_P_AM_F Rev. F 2009/06/18



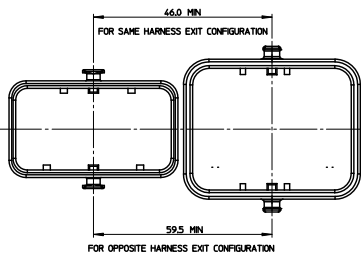
I.C. NO. 62015-0079 DRAWN BY PDECHELE 2010/12/07 CHECKED BY DPLESSIS 2010/12/07 APPROVED BY CBOUCHAN 2011/01/17	QUALITY SYMBOLS	GENERAL TOLERANCES (UNLESS SPECIFIED)	DIMENSION STYLE MM ONLY	SCALE 2:1	DESIGN UNITS METRIC	FIRST ANGLE PROJECTION
	▽=0 ▽=0 ▽=0	4 PLACES ± 0.10 3 PLACES ± 0.15 2 PLACES ± 0.20 1 PLACE ± 0.30 ANGULAR ± 2°	DRAWN BY PDECHELE 2010/12/07 CHECKED BY DPLESSIS 2010/12/07 APPROVED BY CBOUCHAN 2011/01/17	DATE 2010/12/07	DATE 2010/12/07	DATE 2011/01/17
DRAFT WHERE APPLICABLE MUST REMAIN WITHIN DIMENSIONS	MATERIAL NO. N/A	DOCUMENT NO. SD-98995-009	SHEET NO. 2 OF 3	MOLEX INCORPORATED		

MULTI-HEADERS LAYOUT

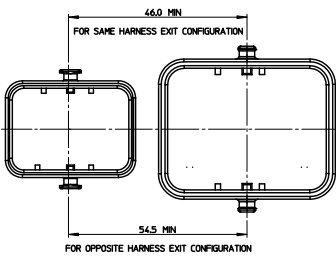
LAYOUT FOR TWO INTERFACES T4 (53W)



LAYOUT FOR TWO INTERFACES T4 (53W) AND T3 (48W)



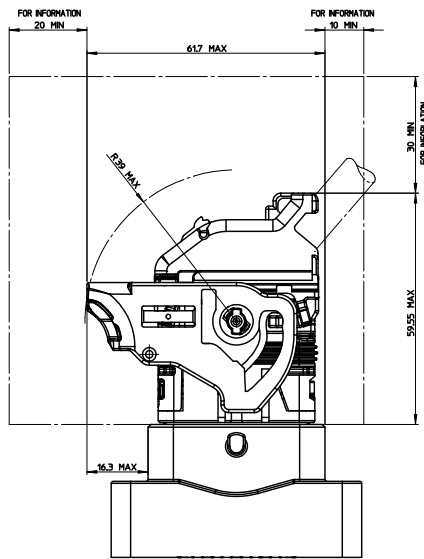
LAYOUT BETWEEN TWO INTERFACES T4 (53W) AND T2 (32W)



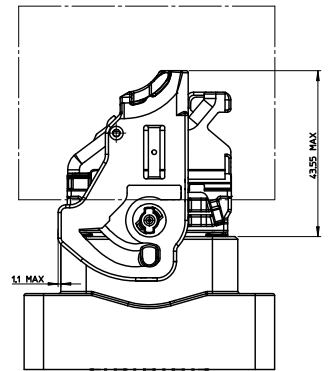
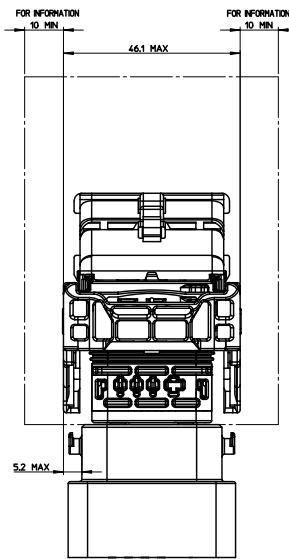
CONNECTOR ON HEADER - OVERALL DIMENSIONS

LEGEND:
 FREE VOLUME FOR MANUAL LOCKING AND UNLOCKING DIMENSIONS GIVEN FOR INFORMATION ONLY TO BE CONFIRMED BASED UPON VEHICLE CONFIGURATION.

UNLOCKED CONNECTOR OVERALL DIMENSIONS



LOCKED CONNECTOR OVERALL DIMENSIONS



E.C. NO.: 62001-0079 DRAWN BY: PDECHELE CHECKED BY: DPLESSIS APPROVED BY: CBOUCHAN	2010/12/07 2010/12/07 2011/01/17	QUALITY SYMBOLS ∇=0 ∇=0 ∇=0 ∇=0	GENERAL TOLERANCES (UNLESS SPECIFIED) mm INCH 4 PLACES ± 0.10 ± 0.004 3 PLACES ± 0.15 ± 0.005 2 PLACES ± 0.20 ± 0.008 1 PLACE ± 0.30 ± 0.012 ANGULAR ± 2 °	DIMENSION STYLE MM ONLY	SCALE 2:1	DESIGN UNIT'S METRIC	FIRST ANGLE PROJECTION	
	DRAWN BY: PDECHELE DATE: 2010/12/07	CHECKED BY: DPLESSIS DATE: 2010/12/07	APPROVED BY: CBOUCHAN DATE: 2011/01/17	MATERIAL NO.: N/A	DOCUMENT NO.: SD-98995-009	TITLE: INTERFACE FOR MODULE CMC 53 CKT	MOLEX INCORPORATED	SHEET NO.: 3 OF 3
	DRAFT WHERE APPLICABLE MUST REMAIN WITHIN DIMENSIONS			THIS DRAWING CONTAINS INFORMATION THAT IS PROPRIETARY TO MOLEX INCORPORATED AND SHOULD NOT BE USED WITHOUT WRITTEN PERMISSION				
	THIS DRAWING CONTAINS INFORMATION THAT IS PROPRIETARY TO MOLEX INCORPORATED AND SHOULD NOT BE USED WITHOUT WRITTEN PERMISSION							