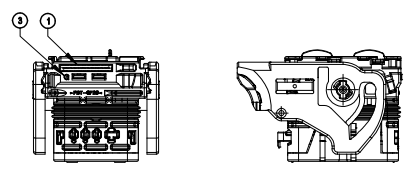
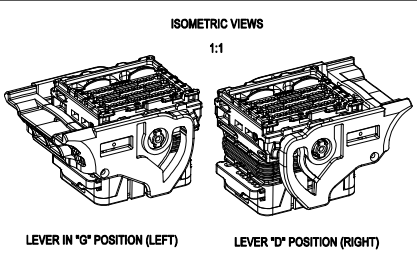
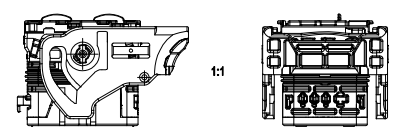
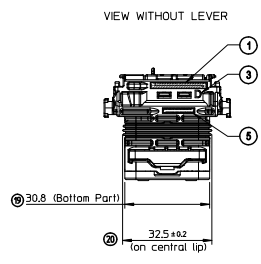
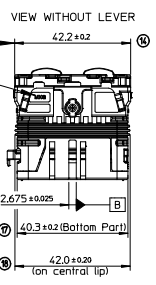
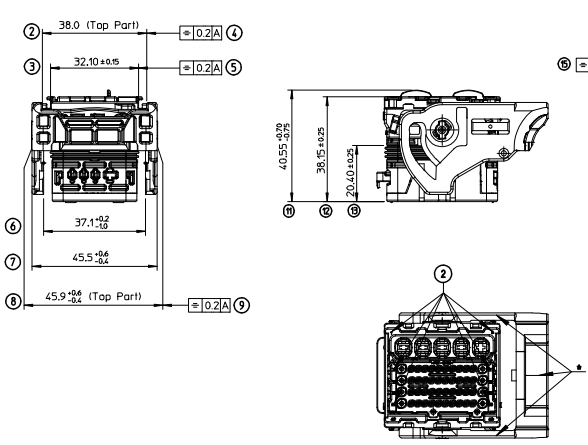
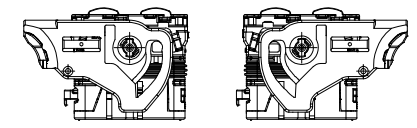


CMC 53W EQUIPED LEVER ON THE LEFT ("G" POSITION)



LEVER IN "G" POSITION (LEFT) (Position shown below)	
MOLEX P/N	COLOR
0643211011	BLACK
064321101B	GREY
0643211019	BROWN

LEVER IN "D" POSITION (RIGHT) (Position shown below)	
MOLEX P/N	COLOR
0643212011	BLACK
064321201B	GREY
0643212019	BROWN



POS.	QTY	DESCRIPTION	MATERIAL	COLOR
7	1	BACK SEAL "GROMMET"	Silicon	ORANGE
8	1	REAR SEAL COVER	>PBT-GF20<	GREY
5	1	LOCKING LEVER R&L S4	>PBT-GF30<	BLACK
4	1	TPA	>PBT-GF20<	YELLOW
3	1	PERMETER SEAL SIZE 4	Silicon	ORANGE
2	1	HOUSING TOP PART	>PBT-GF20<	BROWN
				BLACK
1	1	HOUSING BOTTOM PART	>PBT-GF20<	BROWN
				GREY

MARKINGS:

- ① - Tracking N° for assembled connector.
(Year & Day)
- ② - Cavities identification (N°).
- ③ - Lever sens indicator.
Visible letter "D" = Housing with lever on the RIGHT.
(Lever on the opposite side of the SL Key)
Visible letter "G" = Housing with lever on the LEFT.
(Lever on the side of the SL Key)
- ④ - Supplier logo.
- ⑤ - Molex Area.

NOTES:

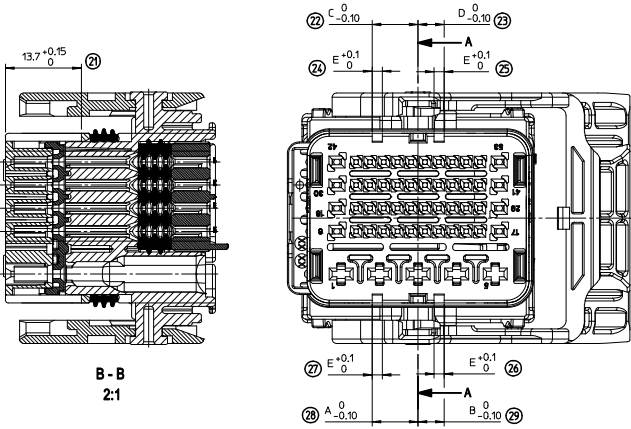
- 1- The represented female connector is the "D" version (Way out on the Right), Black coding.
- 2- Application Spec: AS-64321-001
- 3- Plugs & caps used:
Cavities 06: plug: 0643251010
Cavities 15: plug: 0643251023
Cavities 2,8: cap: 0643251091
- 4- Weight: 50,8 g
- 5- The assembled female connector matches with the cover CMC 53W (P/N: 064321101)

← Clamping areas on male connector.

ACCORDING FPIR EC NO. G2009-0092 DRAWING DESIGNED BY: CHYKCHO, PLESSIS 2008/11/05 APPR: EBOLICHAN 2008/11/05 REV	GENERAL TOLERANCES (UNLESS SPECIFIED)	DIMENSION STYLE MM ONLY	SCALE 1:1	DESIGN UNITS METRIC	FIRST ANGLE PROJECTION
	4 PLACES ± --- ± ---	DRAWN BY G. DESBRUERES	DATE 2007/09/05	TITLE CMC FEMALE MODULE 53W GENERIC SALES DRAWING	
	3 PLACES ± --- ± ---	CHECKED BY D. PLESSIS	DATE 2007/09/06	MOLEX INCORPORATED	
	2 PLACES ± 0.05 ± ---	APPROVED BY L. STICKEIR	DATE 2007/09/07	DOCUMENT NO. SD-64321-001	SHEET NO. 1 OF 2
1 PLACE ± 0.1 ± ---	ANGULAR ± 2 °		DRAFT WHERE APPLICABLE MUST REMAIN WITHIN DIMENSIONS		
SEE CHARTS			THIS DRAWING CONTAINS INFORMATION THAT IS PROPRIETARY TO MOLEX INCORPORATED AND SHOULD NOT BE USED WITHOUT WRITTEN PERMISSION		

CODINGS

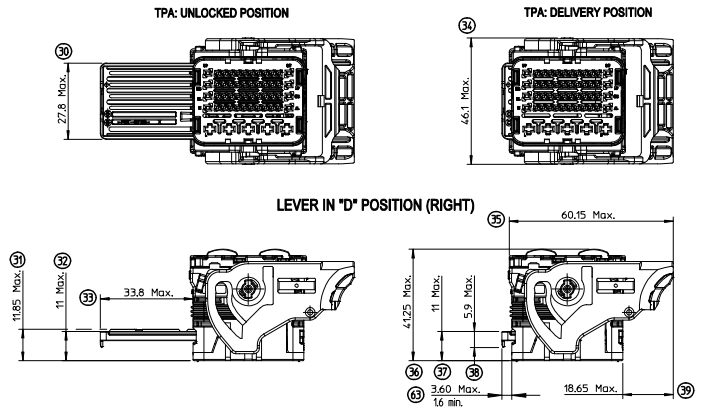
FEMALE HOUSING WITH THE LEVER ON "D" (RIGHT) POSITION.



**B - B
2:1**

COLOR	CODING	A ⁰ / _{±0.1}	B ⁰ / _{±0.1}	C ⁰ / _{±0.1}	D ⁰ / _{±0.1}	E ⁰ / _{±0.1}
BLACK	1	8,4	4,8	8,4	4,8	1,8
GREY	2	8,4	6,6	6,6	6,6	1,8
BROWN	3	8,4	8,4	4,8	10,2	1,8

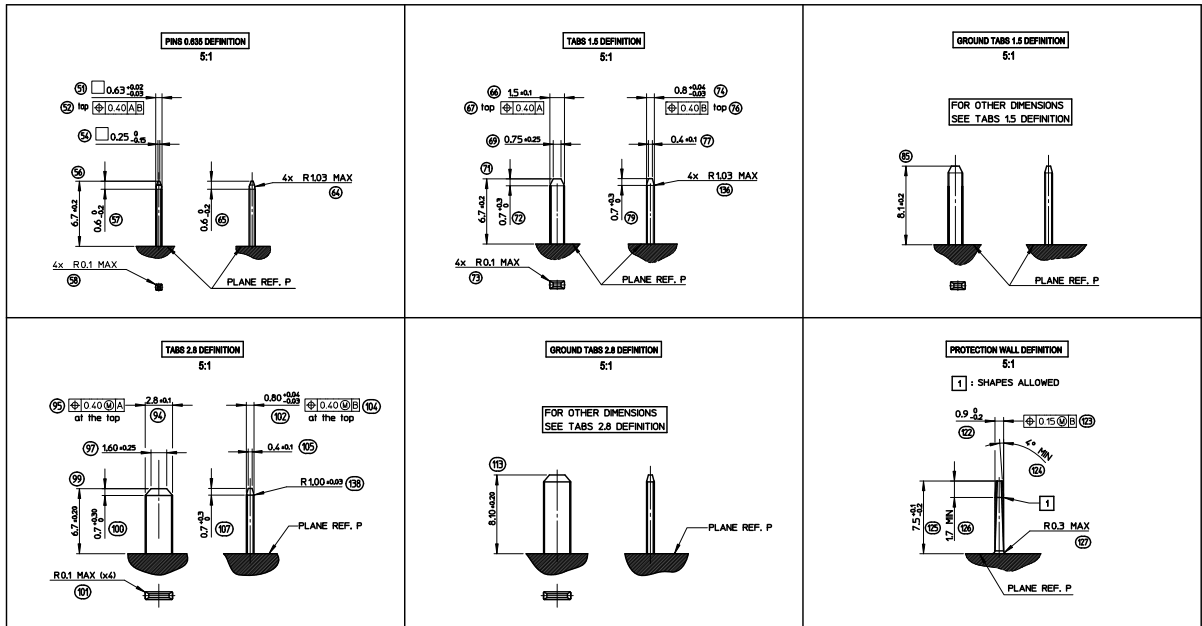
MODULE OVERALL DIMENSIONS:



TERMINALS' P/N(S)						
CAVITIES N°	FEMALE TERMINALS (Section mm2)	PLATING	MOLEX PIN	WIRE SEAL	min / MAX WIRE INSULATION DIAMETER	
7 to 16 19 to 28 31 to 40 43 to 52	CP 0.6 (0.35mm2)	Tin plated	0643221019	/	∅1.25 min. / ∅1.40 Max.	
		Gold plated	0643221229			
	CP 0.6 (0.5mm2)	Tin plated	0643221039		∅1.40 min. / ∅1.70 Max.	
		Gold plated	0643221239			
6, 17, 18 29, 30, 41 42, 53	CP 0.6 (0.75mm2)	Tin plated	0643221029	/	∅1.60 min. / ∅1.90 Max.	
		Gold plated	0643221219			
	CP 1.5 (0.5mm2 to 1mm2)	Tin plated	0643231029		∅1.45 min. / ∅2.15 Max.	
		Gold plated	0643231319			
1 to 5	CP 1.5 (>1mm2 to 2mm2)	Tin plated	0643231039	/	∅2.10 min. / ∅2.80 Max.	
		Gold plated	0643231219			
	CP 2.8 (>0.5mm2 to 1mm2)	Tin plated	0643241049		0643251162	∅1.40 min. / ∅2.15 Max.
		Gold plated	0643241149			
CP 2.8 (>1mm2 to 2mm2)	Tin plated	0643241039	0643251175	∅2.10 min. / ∅2.80 Max.		
	Gold plated	0643241139				
CP 2.8 (>2mm2 to 3mm2)	Tin plated	0643241029	0643251188	∅2.65 min. / ∅3.45 Max.		
	Gold plated	0643241129				
CP 2.8 (>3mm2 to 5mm2)	Tin plated	0643241019	0643251196	∅3.40 min. / ∅4.00 Max.		
	Gold plated	0643241119				

ACCORDING FPIR EC NO. G2009-009Z DRAWING DESBRUERES 2008/10/23 CHK'D: PLESSIS 2008/11/05 APPR: BROUCHAN 2008/11/05 REV DESCRIPTION	GENERAL TOLERANCES (UNLESS SPECIFIED) 4 PLACES ± --- ± --- 3 PLACES ± --- ± --- 2 PLACES ± 0.05 ± --- 1 PLACE ± 0.1 ± --- ANGULAR ± 2 °	DIMENSION STYLE MM ONLY DRAWN BY DATE G. DESBRUERES 2007/09/05 CHECKED BY DATE O. PLESSIS 2007/09/06 APPROVED BY DATE L. STICKEIR 2007/09/07 MATERIAL NO. DOCUMENT NO.	SCALE 1.5:1 DESIGN UNITS METRIC FIRST ANGLE PROJECTION	TITLE CMC FEMALE MODULE 53W GENERIC SALES DRAWING	
	DRAFT WHERE APPLICABLE MUST REMAIN WITHIN DIMENSIONS	SEE SHEET 1 SIZE A2 THIS DRAWING CONTAINS INFORMATION THAT IS PROPRIETARY TO MOLEX INCORPORATED AND SHOULD NOT BE USED WITHOUT WRITTEN PERMISSION	MOLEX INCORPORATED	SD-64321-001	SHEET NO. 2 OF 2

ib_frame_A2_P_AM_F
Rev. E 2006/04/15



I.C. NO. 62015-0079 DRAWN BY PDECHELE 2010/12/07 CHECKED BY DPLESSIS 2010/12/07 APPROVED BY CBOUCHAN 2011/01/17	QUALITY SYMBOLS ∇=0 ∇=0 ∇=0	GENERAL TOLERANCES (UNLESS SPECIFIED): mm INCH		DIMENSION STYLE MM ONLY	SCALE 2:1	DESIGN UNITS METRIC	FIRST ANGLE PROJECTION
		4 PLACES ± 0.10 3 PLACES ± 0.15 2 PLACES ± 0.20 1 PLACE ± 0.30	4 PLACES ± 0.004 3 PLACES ± 0.005 2 PLACES ± 0.007 1 PLACE ± 0.010	DRAWN BY PDECHELE 2010/12/07 CHECKED BY DPLESSIS 2010/12/07 APPROVED BY CBOUCHAN 2011/01/17	DATE DATE DATE	TITLE INTERFACE FOR MODULE CMC 53 CKT	MATERIAL NO. N/A
DRAFT WHERE APPLICABLE MUST REMAIN WITHIN DIMENSIONS		THIS DRAWING CONTAINS INFORMATION THAT IS PROPRIETARY TO MOLEX INCORPORATED AND SHOULD NOT BE USED WITHOUT WRITTEN PERMISSION					

