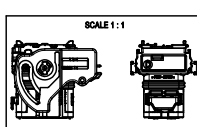


7	MAT SEAL	Silicon	GREEN
8	BACK GRID 24W	-PBT-GF20+	COLOR LINKED TO LINE CLOSED
9	LOCKING LEVER 32W	-PBT-GF30+	BLACK
10	SECONDARY LOCK	-PBT-GF20+	GREEN
11	PERIPHERAL SEAL 32W	Silicon	BLUE
12	BACK PART	-PBT-GF20+	BLACK
13	FRONT PART	-PBT-GF20+	COLOR LINKED TO KEYING
14	POS.	DERIVATION	MATERIAL
15			COLOR

MARKINGS :

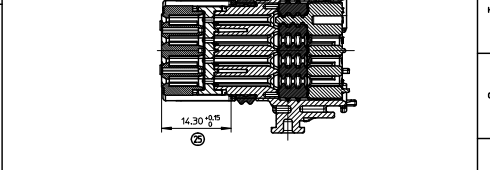
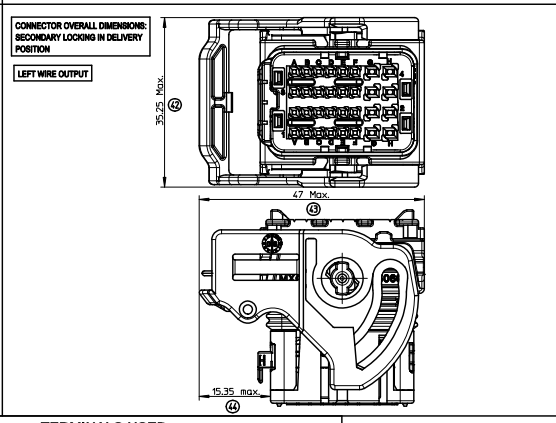
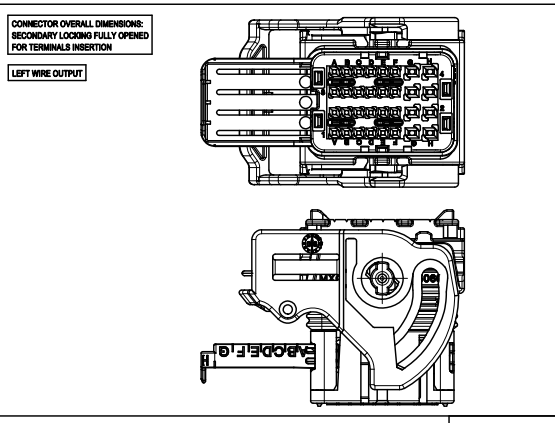
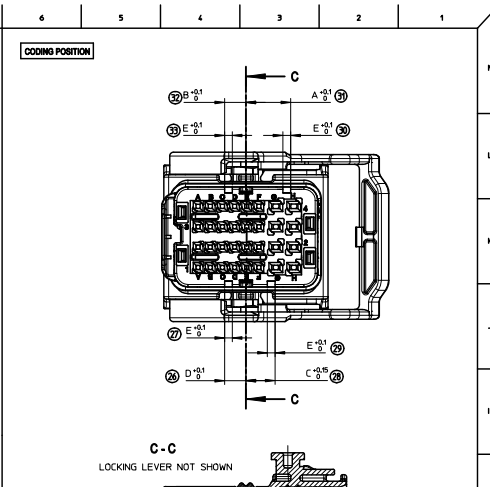
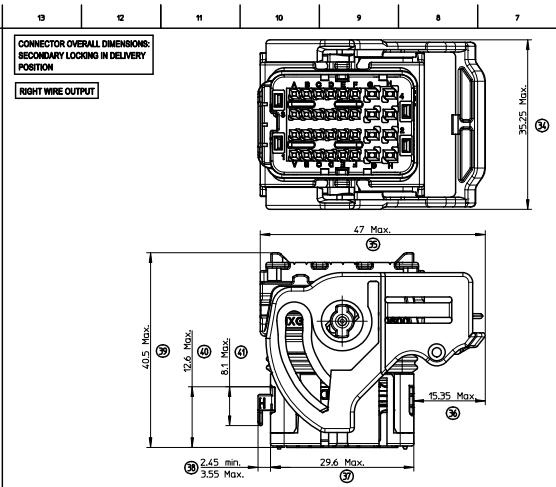
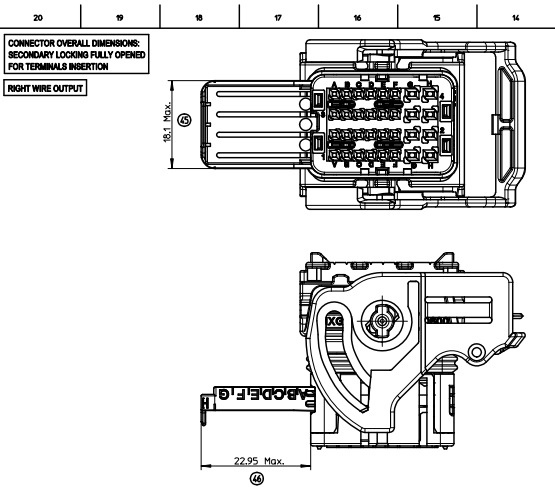
- Assembled part traceability: Day + Year
- Terminal cavities identification
- Lever position indicator: 'D' LETTER VISIBLE = part with 'LEVER ON THE RIGHT' 'G' LETTER VISIBLE = part with 'LEVER ON THE LEFT'
- Supplier identification
- Material identification



- NOTES:**
- FOR ILLUSTRATION PURPOSE THE FEMALE HOUSING SHOWN IS THE RIGHT WIRE OUTPUT VERSION CODING 1
 - APPLICATION SPECIFICATION: AS-64319-001
 - WIRES EXTERNAL DIAMETER USED:
FOR CP04 TERMINAL: USE WIRES WITH AN EXTERNAL DIAMETER BETWEEN Ø1.25MM MIN AND Ø1.50MM MAX
FOR CP15 TERMINAL: USE WIRES WITH AN EXTERNAL DIAMETER BETWEEN Ø1.40MM MIN AND Ø2.00MM MAX
 - THE CONNECTOR FITS WITH WIRE CAP (32 WAY) MOLEX P/N 0643191201
 - BLIND PLUG FOR 06 AND 15 CAVITIES MOLEX P/N 0643251010 AND 0643251020 MUST BE USED ON THIS PART.
 - DELIVERED PRODUCT WEIGHT: 27.6 g

UPDATED DRAWING DEC. NO. 2009/06/04 DRAWING SERVICES 2009/06/04 C. BOUCHAN DESPT. DESCRIPTION	GENERAL TOLERANCES (UNLESS SPECIFIED) mm INCH 4 PLACES ± 0.15 ± 0.006 3 PLACES ± 0.1 ± 0.004 2 PLACES ± 0.1 ± 0.004 1 PLACE ± 0.1 ± 0.004 ANGULAR ± 2°		DIMENSION STYLE MM ONLY	SCALE 2.5:1	DESIGN UNITS METRIC	FIRST ANGLE PROJECTION
	DRAWN BY: T. BADAROUX 2008/05/23 CHECKED BY: DANIE P. GRANDCLAUD 2008/05/23 APPROVED BY: C. BOUCHAN 2008/05/23		CMC CONNECTOR 24 WAY MAT SEAL VERSION			
	DRAFT WHERE APPLICABLE MUST REMAIN WITHIN DIMENSIONS		SEE SHEET 2		MOLEX INCORPORATED	
	MATERIAL NO. 0643192211		DOCUMENT NO. SD-64319-003		SHEET NO. 1 OF 2	

THIS DRAWING CONTAINS INFORMATION THAT IS PROPRIETARY TO MOLEX INCORPORATED AND SHOULD NOT BE USED WITHOUT WRITTEN PERMISSION



COLOR	CODING	A	B	C	D	E
BLACK	1	9.2	4.4	6	4.4	1.6
GREY	2	7.6	6	9.2	6	1.6
BROWN	3	6	7.6	9.2	9.2	1.6
BLUE	5	4.4	7.6	6	6	1.6

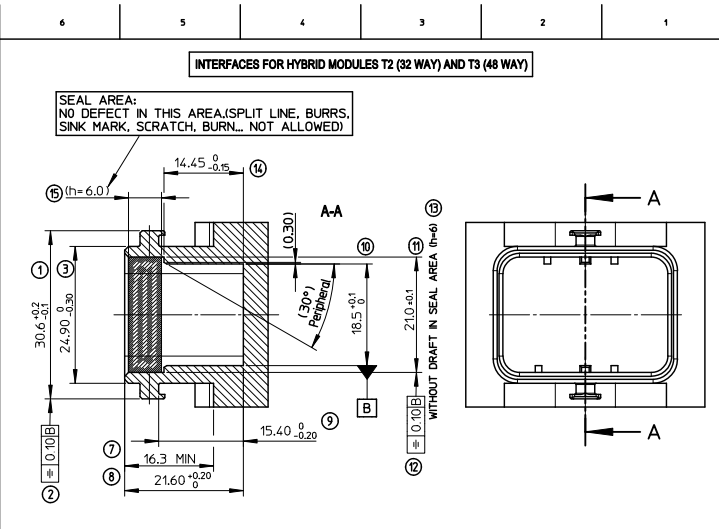
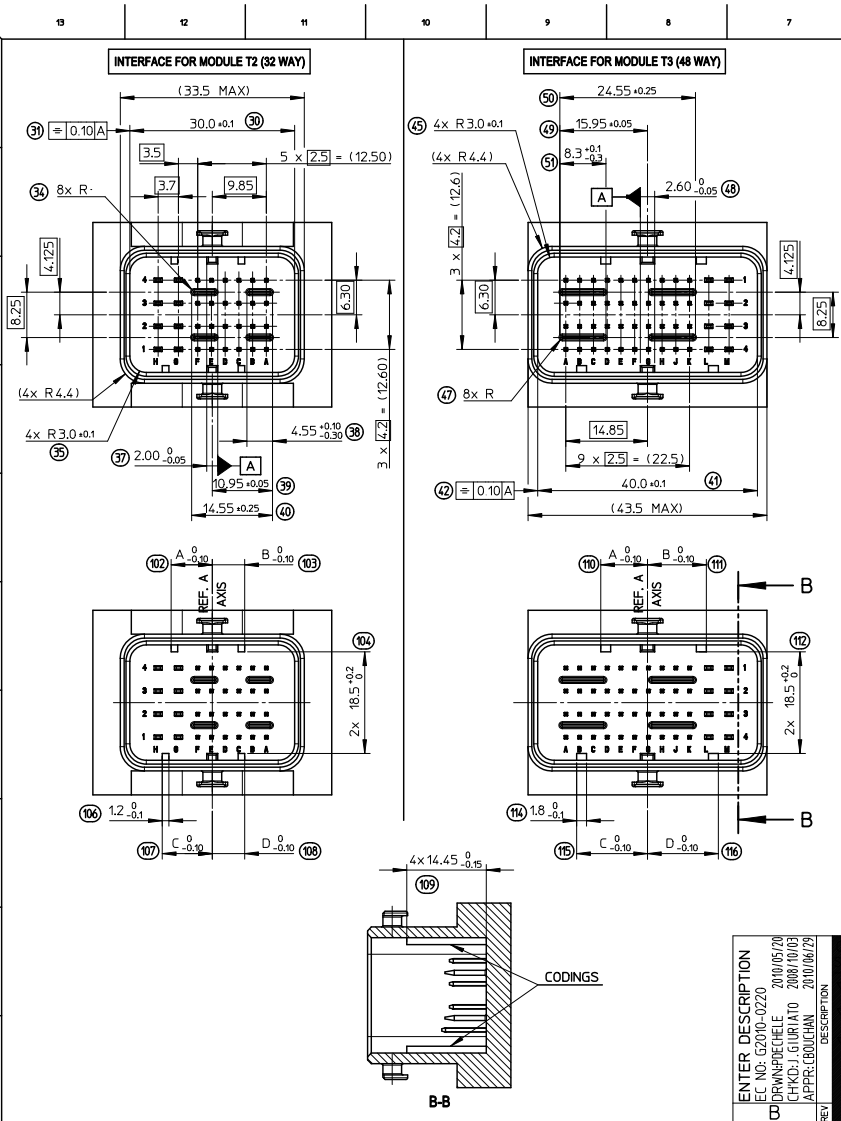
TERMINALS USED

CATEGORY	FEMALE TERMINALS (pitch in mm)	PLATING	MOLEX P/N	min / MAX WIRE INSULATION DIAMETER (mm)
A1 to F1 A2 to F2 A3 to F3 A4 to F4	CP 0.6 0.5mm2	Tin plated	0643221019	Ø125 min / Ø140 Max
		Gold plated	0643221229	
	CP 0.6 0.5mm2	Tin plated	0643221039	Ø140 min / Ø170 Max
		Gold plated	0643221239	
G1 to H4 G1 to H4	CP 0.6 0.75mm2	Tin plated	0643221029	Ø160 min / Ø190 Max
		Gold plated	0643221219	
	CP 1.5 0.5mm2 to 1mm2	Tin plated	0643221029	Ø140 min / Ø215 Max
		Gold plated	0643221319	
CP 1.5 >1mm2 to 2mm2	Tin plated	0643221039	Ø210 min / Ø280 Max	
	Gold plated	0643221219		

UPDATED DRAWING
 ED: M. A. L. P. AM.F
 2008/04/04
 D: DRINGER/SERRES
 2008/04/04
 CHIKOC: BOUCHAN
 APPR:
 REV:

GENERAL TOLERANCES (UNLESS SPECIFIED)	
mm	INCH
4 PLACES ± 0.1	± 0.004
3 PLACES ± 0.15	± 0.006
2 PLACES ± 0.2	± 0.008
1 PLACE ± 0.3	± 0.012
ANGULAR ± 2°	

DRIVEN BY T. BADAROUX 2008/05/23	DATE 2008/05/23	SCALE 2.5:1	DESIGN UNIT'S METRIC	FIRST ANGLE PROJECTION
CHECKED BY P. GRAND-CLAUD 2008/05/23	DATE 2008/05/23	TITLE CMC CONNECTOR 24 WAY MAT SEAL VERSION		
APPROVED BY C. BOUCHAN 2008/05/23	DATE 2008/05/23	MATERIAL NO. DOCUMENT NO. SD-64319-003		
DRAFT WHERE APPLICABLE MUST REMAIN WITHIN DIMENSIONS		SEE SHEET 2/3	SHEET NO. 2 OF 2	
THIS DRAWING CONTAINS INFORMATION THAT IS PROPRIETARY TO MOLEX INCORPORATED AND SHOULD NOT BE USED WITHOUT WRITTEN PERMISSION				



HEADERS CODINGS

(CODING 2 SHOWN)

HEADER'S CODINGS FOR MODULE T2 (32W)					
COLOR	CODING	DIM. A	DIM. B	DIM. C	DIM. D
BLACK	1	9.1	4.3	5.9	4.3
GREY	2	7.5	5.9	9.1	5.9
BROWN	3	5.9	7.5	9.1	9.1
GREEN	4	7.5	9.1	4.3	4.3
BLUE	5	4.3	7.5	5.9	5.9
YELLOW	6	9.1	7.5	4.3	7.5

(CODING 3 SHOWN)

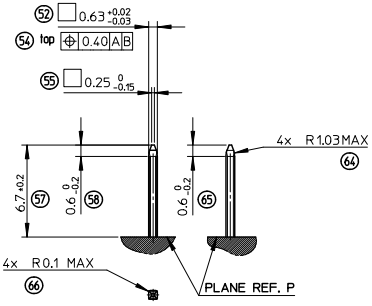
HEADER'S CODINGS FOR MODULE T3 (48W)					
COLOR	CODING	DIM. A	DIM. B	DIM. C	DIM. D
BLACK	1	12.9	6.3	8.5	6.3
GREY	2	10.7	8.5	12.9	8.5
BROWN	3	8.5	10.7	12.9	12.9
GREEN	4	10.7	12.9	6.3	6.3
BLUE	5	6.3	10.7	8.5	8.5
YELLOW	6	12.9	10.7	6.3	10.7

NOTE:
 1- INTERFACE DEFINITION BASED ON NFR13-462 STANDARD.
 2- HEADER: ELASTICITY MODULUS: 8000Mpa min.
 (INITIAL CONDITION BEFORE AGEING)

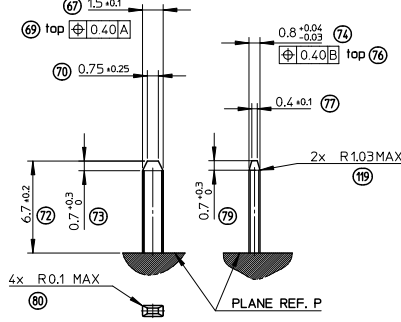
ENTER DESCRIPTION EC NO: G2010-0220 DRAWN BY: G. DESBRUERES CHKD: J. GIURIATO APPR: C. BOUCHAN	GENERAL TOLERANCES (UNLESS SPECIFIED) mm INCH 4 PLACES ± --- ± --- 3 PLACES ± 0.10 ± --- 2 PLACES ± 0.10 ± --- 1 PLACE ± 0.10 ± --- ANGULAR ± 2°	DIMENSION STYLE MM ONLY DRAWN BY: G. DESBRUERES CHECKED BY: J. GIURIATO APPROVED BY: O. PLESSIS DATE: 2008/10/02 DATE: 2008/10/03 DATE: 2008/10/06	SCALE 2:1 DESIGN UNITS METRIC FIRST ANGLE PROJECTION
	TITLE INTERFACES FOR CONNECTOR 32 & 48 CKT CMC GENERIC SALES DRAWING		
	MATERIAL NO. N/A DOCUMENT NO. SD-98644-006		
	SIZE A DRAFT WHERE APPLICABLE MUST REMAIN WITHIN DIMENSIONS		

MOLEX INCORPORATED
 SHEET NO. 1 OF 3
 THIS DRAWING CONTAINS INFORMATION THAT IS PROPRIETARY TO MOLEX INCORPORATED AND SHOULD NOT BE USED WITHOUT WRITTEN PERMISSION

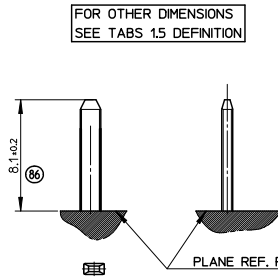
PINS 0.635 DEFINITION
5:1



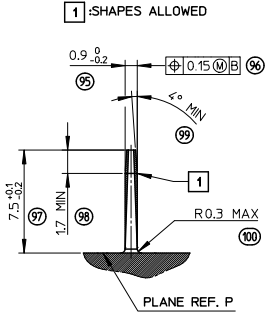
TABS 1.5 DEFINITION
5:1



GROUND TABS 1.5 DEFINITION
5:1

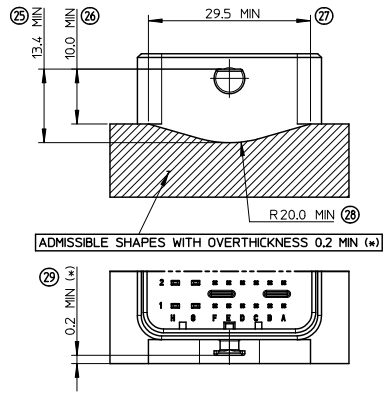


PROTECTION WALL DEFINITION
5:1

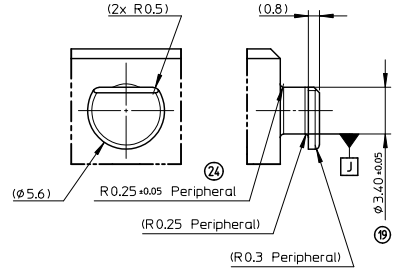


LOCKING AXIS PROTECTION
2:1

MANDATORY OVERTHICKNESS: dimension noted (*) IF THE LOCKING AXIS ARE OUT OF EQUIPMENT OVERALL DIMENSIONS.



LOCKING AXIS DEFINITION
5:1



FOR OTHER DIMENSIONS SEE TABS 1.5 DEFINITION

1: SHAPES ALLOWED

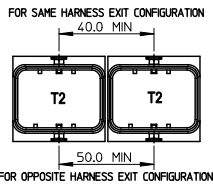
ADMISSIBLE SHAPES WITH OVERTHICKNESS 0.2 MIN (*)

ENTER DESCRIPTION IEC NO. G2010-0220 DRAWN BY: G. DESBRUERES CHKD.: J. GIURIATO APPR.: G. BOLLICHAN	GENERAL TOLERANCES (UNLESS SPECIFIED)		DIMENSION STYLE MM ONLY	SCALE 1:1	DESIGN UNITS METRIC	FIRST ANGLE PROJECTION	
	4 PLACES ± --- ± --- 3 PLACES ± --- ± --- 2 PLACES ± 0.10 ± --- 1 PLACE ± 0.10 ± ---	INCH ± --- ± --- ± --- ± --- ± --- ± ---	DATE 2010/05/20 2008/10/03 2008/10/06	DRAWN BY G. DESBRUERES	DATE 2008/10/02	TITLE INTERFACES FOR CONNECTOR 32 & 48 CKT CMC GENERIC SALES DRAWING	
	ANGULAR ± 2 °	DRAFT WHERE APPLICABLE MUST REMAIN WITHIN DIMENSIONS	APPROVED BY D. PLESSIS	DATE 2008/10/06	MATERIAL NO. N/A	MOLEX INCORPORATED	SHEET NO. 2 OF 3
			DOCUMENT NO. SD-98644-006	THIS DRAWING CONTAINS INFORMATION THAT IS PROPRIETARY TO MOLEX INCORPORATED AND SHOULD NOT BE USED WITHOUT WRITTEN PERMISSION			

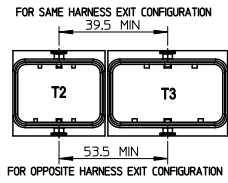
CONNECTOR ON HEADER - OVERALL DIMENSIONS

MULTI-HEADERS LAYOUT

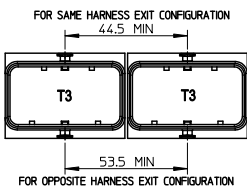
LAYOUT FOR TWO INTERFACES T2 (32W)



LAYOUT FOR TWO INTERFACES T2 (32W) AND T3 (48W)



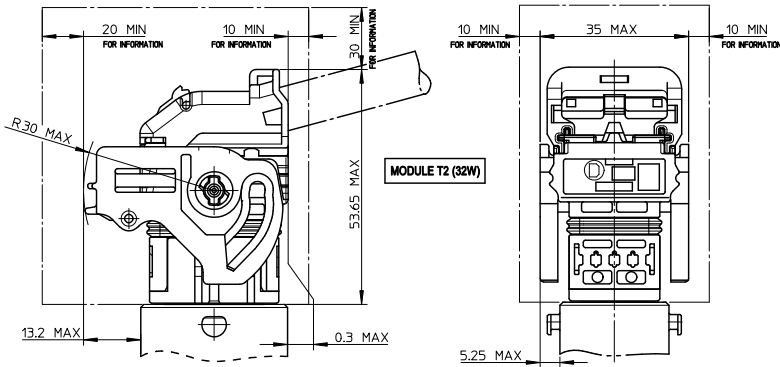
LAYOUT FOR TWO INTERFACES T3 (48W)



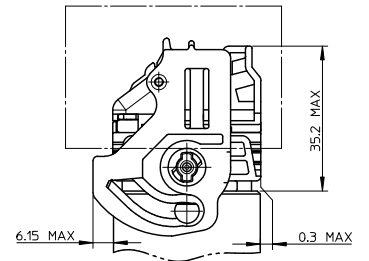
LEGEND:

FREE VOLUME FOR MANUAL LOCKING AND UNLOCKING DIMENSIONS GIVEN FOR INFORMATION ONLY TO BE CONFIRMED BASED UPON VEHICLE CONFIGURATION.

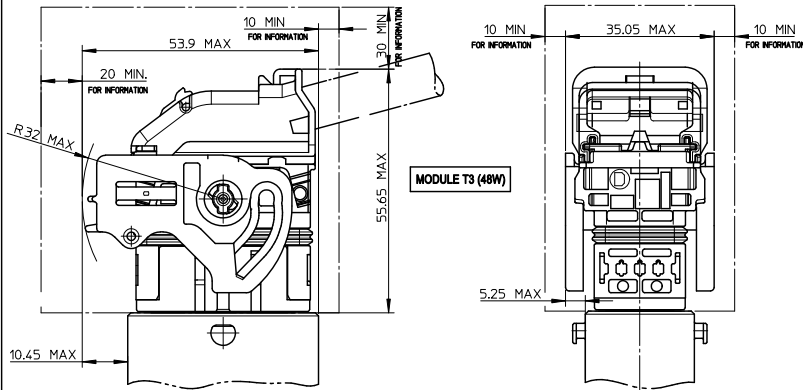
UNLOCKED CONNECTOR - OVERALL DIMENSIONS



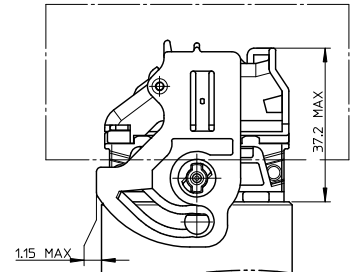
LOCKED CONNECTOR - OVERALL DIMENSIONS



UNLOCKED CONNECTOR - OVERALL DIMENSIONS



LOCKED CONNECTOR - OVERALL DIMENSIONS



NOTE:
1- T2 = 32 WAY / T3 = 48 WAY

ENTER DESCRIPTION	DATE
EC NO: G2010-0220	2010/05/20
DRW: PACHELE	2008/10/03
CHKD: J. GIURIATO	2008/10/03
APPR: BOUCHAN	2010/06/29

GENERAL TOLERANCES (UNLESS SPECIFIED)

	mm	INCH
4 PLACES	± 0.10	± 0.004
3 PLACES	± 0.15	± 0.006
2 PLACES	± 0.20	± 0.008
1 PLACE	± 0.30	± 0.012
ANGULAR ± 2°		

DRAFT WHERE APPLICABLE MUST REMAIN WITHIN DIMENSIONS

DIMENSION STYLE
MM ONLY

DRAWN BY	DATE
G. DESBRUERES	2008/10/02
CHECKED BY	DATE
J. GIURIATO	2008/10/03
APPROVED BY	DATE
O. PLESSIS	2008/10/06

SCALE
1:1

DESIGN UNITS
METRIC

FIRST ANGLE PROJECTION

TITLE
INTERFACES FOR CONNECTOR
32 & 48 CKT CMC
GENERIC SALES DRAWING

MOLEX INCORPORATED
DOCUMENT NO. SD-98644-006
SHEET NO. 3 OF 3