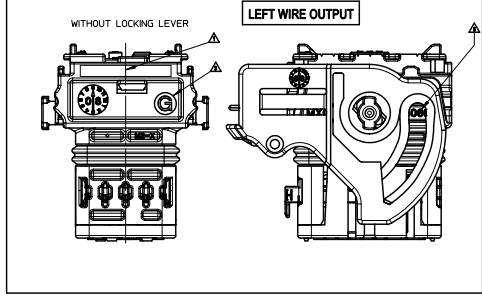
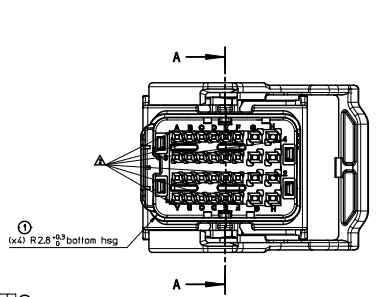
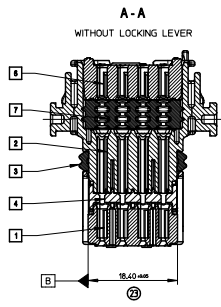
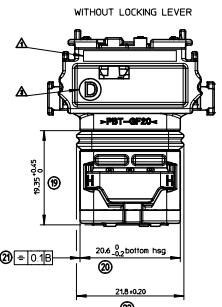
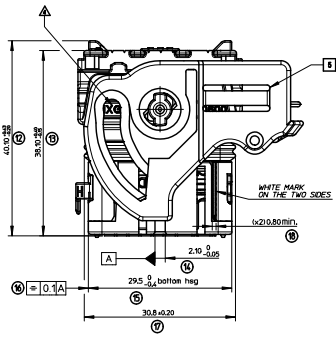
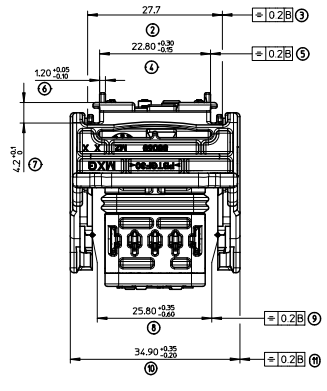


20 19 18 17 16 15 14 13 12 11 10 9 8 7 6 5 4 3 2 1



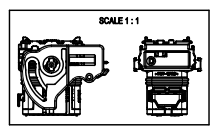
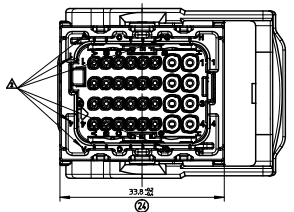
LEFT WIRE OUTPUT

MATERIAL NUMBER	COLOR
064319211	BLACK
064319218	GREY
064319219	BROWN
064319216	BLUE



RIGHT WIRE OUTPUT

MATERIAL NUMBER	COLOR
064319321	BLACK
064319326	GREY
064319329	BROWN
064319326	BLUE



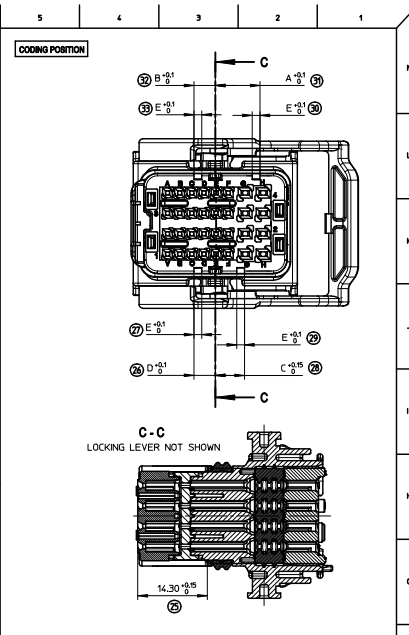
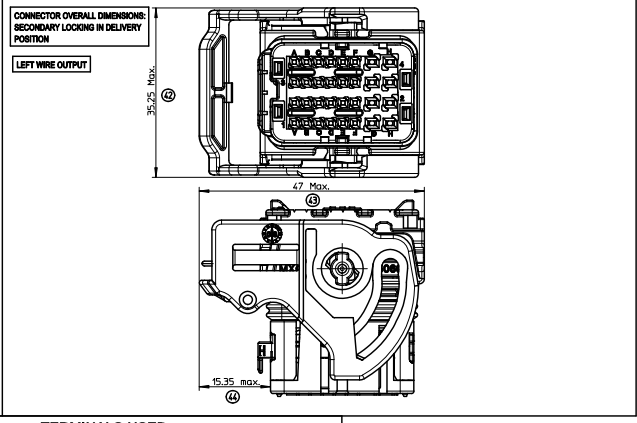
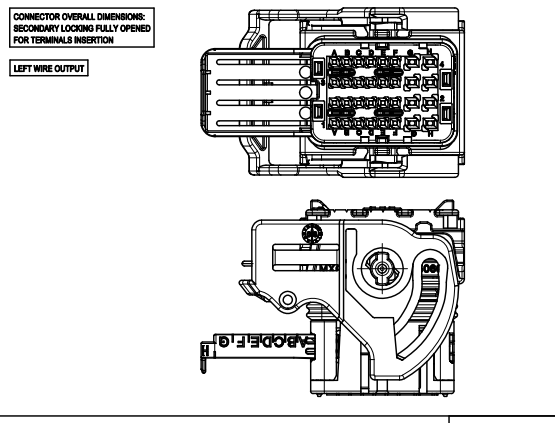
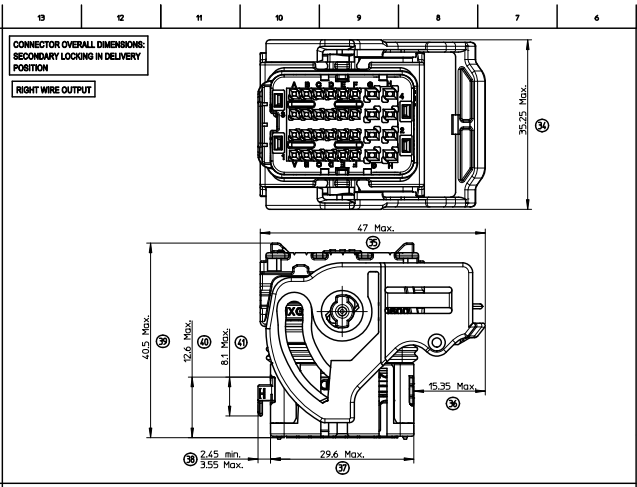
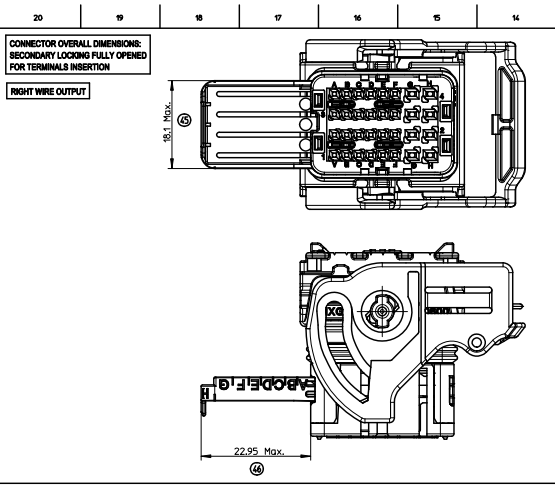
NOTES:
 1-FOR ILLUSTRATION PURPOSE THE FEMALE HOUSING SHOWN IS THE RIGHT WIRE OUTPUT VERSION CODING IS
 2-APPLICATION SPECIFICATION: AS-64319-001
 3-WIRES EXTERNAL DIAMETER USED:
 FOR CP0.6 TERMINAL: USE WIRES WITH AN EXTERNAL DIAMETER BETWEEN #125MM MIN AND #150MM MAX
 FOR CP1.5 TERMINAL: USE WIRES WITH AN EXTERNAL DIAMETER BETWEEN #140MM MIN AND #200MM MAX
 4-THE CONNECTOR FITS WITH WIRE CAP (32 WAY) MOLEX PIN 064319201
 5-BLIND PLUG FOR CP 0.6 AND 15 CAVITIES MOLEX P/N 0643251010 AND 0643251023) MUST BE USED ON THIS PART.
 6-DELIVERED PRODUCT WEIGHT: 27.6 g

PKL	DESCRIPTION	MATERIAL	COLOR
1	MAT SEAL	Silicon	GREEN
2	BACK GRID 32W	+PBT-GF20+	GREY
3	LOCKING LEVER 32W	+PBT-GF20+	BLACK
4	SECONDARY LOCK	+PBT-GF20+	GREEN
5	PERIPHERAL SEAL 32W	Silicon	BLUE
6	BACK PART	+PBT-GF20+	BLACK
7	FRONT PART	+PBT-GF20+	COLOR LINKED TO KEYING

MARKINGS:
 ▲ - Assembled part traceability: Day + Year
 ▲ - Terminal cavities identification
 ▲ - Lever position indicator: "D" LETTER VISIBLE = "LEVER ON THE RIGHT" "G" LETTER VISIBLE = "LEVER ON THE LEFT"
 ▲ - Supplier identification
 ▲ - Material identification

UPDATED DRAWING LEAD ENGINEER: 2009/06/03 CHK: C. BOUCHAN APPR:	GENERAL TOLERANCES (UNLESS SPECIFIED): 4 PLACES ± 0.15 3 PLACES ± 0.1 2 PLACES ± 0.1 1 PLACE ± 0.1 ANGULAR ± 2°	DIMENSION STYLE: MM ONLY SCALE: 2.5:1 DESIGN UNITS: METRIC FIRST ANGLE PROJECTION	DRAWN BY: I. BADAROUX CHECKED BY: F. GRANDCLAUD APPROVED BY: C. BOUCHAN DATE: 2007/07/16	TITLE: CMC CONNECTOR 32 WAY MAT SEAL VERSION MATERIAL NO.: SEE SHEET 2 DOCUMENT NO.: SD-64319-001	SHEET NO.: 1 OF 2
	DRAFT WHERE APPLICABLE MUST REMAIN WITHIN DIMENSIONS				
	THIS DRAWING CONTAINS INFORMATION THAT IS PROPRIETARY TO MOLEX INCORPORATED AND SHOULD NOT BE USED WITHOUT WRITTEN PERMISSION				
	MOLEX INCORPORATED				

frame: A1_P_AM.F Rev. E 2006/04/15



COLOR	CODING	A	B	C	D	E
BLACK	1	9.2	4.4	6	4.4	1.6
GREY	2	7.6	6	9.2	6	1.6
BROWN	3	6	7.6	9.2	9.2	1.6
BLUE	5	4.4	7.6	6	6	1.6

TERMINALS USED				
COUNTY #	FEMALE TERMINALS (pitch in mm)	PLATING	MOLEX P/N	min / MAX WIRE INSULATION DIAMETER (mm)
A1 to F1 A2 to F2 A3 to F3 A4 to F4	CP 0.6 0.5mm2	Tin plated	0643221019	Ø125 min / Ø140 Max
		Gold plated	0643221229	
	CP 0.6 0.5mm2	Tin plated	0643221039	Ø140 min / Ø170 Max
		Gold plated	0643221239	
G1 to H4 G1 to H4	CP 0.6 0.75mm2	Tin plated	0643221029	Ø160 min / Ø190 Max
		Gold plated	0643221219	
	CP 15 0.5mm2 to 1mm2	Tin plated	0643221029	Ø140 min / Ø215 Max
		Gold plated	0643221319	
G1 to H4 G1 to H4	CP 15 >1mm2 to 2mm2	Tin plated	0643221039	Ø210 min / Ø280 Max
		Gold plated	0643221219	

UPDATED DRAWING
 ED: M.A.
 D: DRAMONTSBERGERS 2007/04/03
 CHIKOC: BOUCHAN
 APPR: [REDACTED]

GENERAL TOLERANCES
(UNLESS SPECIFIED)

	mm	INCH
4 PLACES	± 0.1	± 0.004
3 PLACES	± 0.15	± 0.006
2 PLACES	± 0.2	± 0.008
1 PLACE	± 0.3	± 0.012

ANGULAR ± 2°

DRAFT WHERE APPLICABLE
 MUST REMAIN
 WITHIN DIMENSIONS

DRAGON STYLE
 MM ONLY

SCALE
 2.5:1

DESIGN UNIT'S
 METRIC

FIRST ANGLE
 PROJECTION

DRAWN BY: T. BADAROUX 2007/07/16
 CHECKED BY: P. GRAND-CLAUD 2007/07/16
 APPROVED BY: C. BOUCHAN 2007/07/16

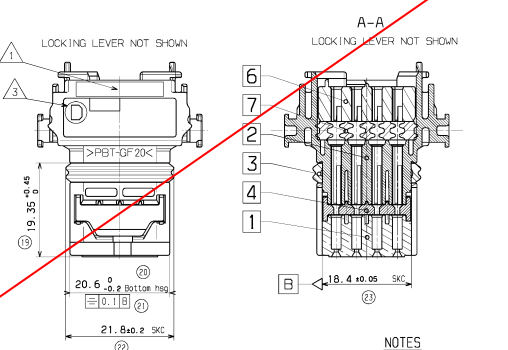
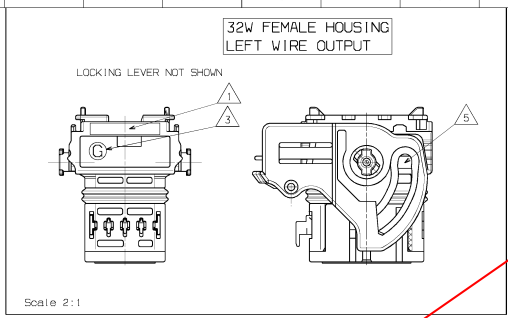
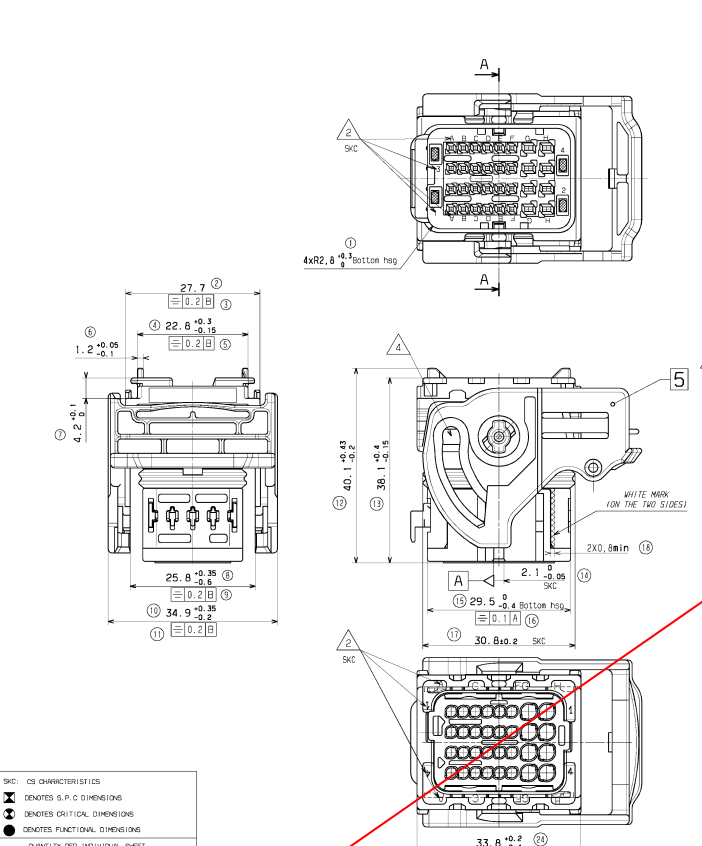
TITLE
 CMC CONNECTOR 32 WAY
 MAT SEAL VERSION

MATERIAL NO. [REDACTED]
 DOCUMENT NO. SD-64319-001

SHEET NO.
 2 OF 2

THIS DRAWING CONTAINS INFORMATION THAT IS PROPRIETARY TO MOLEX
 INCORPORATED AND SHOULD NOT BE USED WITHOUT WRITTEN PERMISSION

20 19 18 17 16 15 14 13 12 11 10 9 8 7 6 5 4 3 2 1



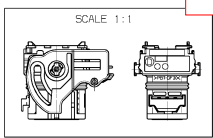
FEMALE HOUSING 32 WAY LEFT WIRE OUTPUT	
MATERIAL NUMBER	COLOR
0643191211	BLACK
0643191218	GREY
0643191219	BROWN
	GREEN
0643191216	BLUE
	YELLOW

FEMALE HOUSING 32 WAY RIGHT WIRE OUTPUT	
MATERIAL NUMBER	COLOR
0643193211	BLACK
0643193218	GREY
0643193219	BROWN
	GREEN
0643193216	BLUE
	YELLOW

NOTES

- 1-FOR ILLUSTRATION PURPOSE THE FEMALE HOUSING SHOWN IS THE RIGHT WIRE OUTPUT VERSION CODING 1
- 2-INTERFACE DEFINITION, OVERALL DIMENSION AND LOCATION ON HEADER AS PER RSD-98644-005

VOID AND SUPERSEDED BY SD-64319-001 rev C



- 6-WIRES EXTERNAL DIAMETER USED: FOR CP1.6 TERMINAL: USE WIRES WITH AN EXTERNAL DIAMETER BETWEEN Ø1.25MM MIN AND Ø1.50MM MAX FOR CP1.5 TERMINAL: USE WIRES WITH AN EXTERNAL DIAMETER BETWEEN Ø1.80MM MIN AND Ø2.80MM MAX
- 7-THE CONNECTOR FITS WITH WIRE CAP T2 (32WAY) MOLEX P/N 0643191201
- 8-BLIND PLUG FOR 0.6 AND 1.5 CAVITIES (MOLEX P/N 0643251010 AND 0643251023) MUST BE USED ON THIS PART
- 9-DELIVERED PRODUCT WEIGHT: 27.6 g

SKC	CS CHARACTERISTICS
□	DENOTES S.P.C DIMENSIONS
○	DENOTES CRITICAL DIMENSIONS
●	DENOTES FUNCTIONAL DIMENSIONS
○	QUANTITY PER INDIVIDUAL SHEET
□	SKC: 13

MATERIAL NUMBER	MARK	DESIGNATION	MATERIAL	COLOR
0989930295	7	MATT SEAL	SILICONE	GREEN
0989930256	6	BACK GRIP 32 WAYS	PBT-GF20	BLUE
0989930241	5	LOCKING LEVER SIZE 2	PBT-GF30	BLACK
0989930235	4	SECONDARY LOCK	PBT-GF20	GREEN
0986560001	3	PERIPHERAL SEAL SIZE 2	SILICONE	BLUE
0989930211	2	BACK PART	PBT-GF20	BLACK
0989930221		FRONT PART	PBT-GF20	COLOR ASSOCIATED TO KEYING

MARKINGS	
△	Assembled part traceability day + year
△	Terminal cavities identification
△	Lever position indicator: "D" LETTER VISIBLE - part with "LEVER ON THE RIGHT" "G" LETTER VISIBLE - part with "LEVER ON THE LEFT"
△	Supplier identification
△	Material identification

GENERAL TOLERANCES (UNLESS SPECIFIED)		DIMENSION STYLE		SCALE	DESIGN UNITS	FIRST ANGLE PROJECTION
PLACES	mm	INCH	DATE	2.5:1	METRIC	
4	±	±	2007/07/16			
3	±	±	2007/07/16			
2	± 0.1	±	2007/07/16			
1	± 0.1	±	2007/07/16			
ANGULAR ± 2°						

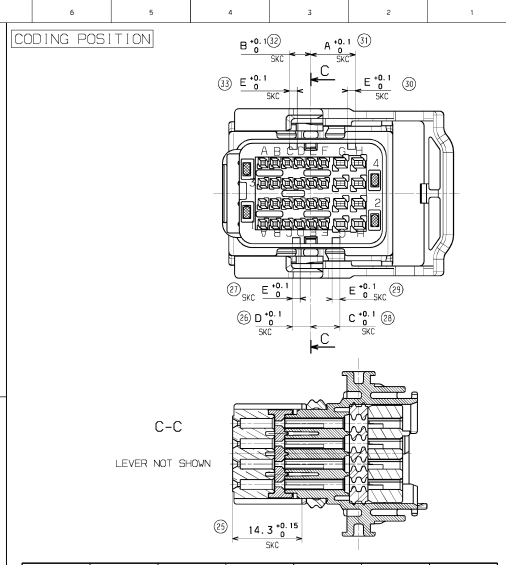
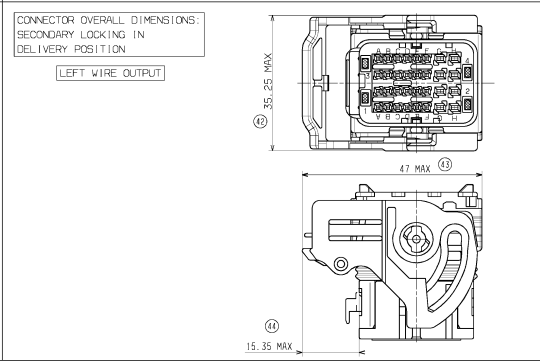
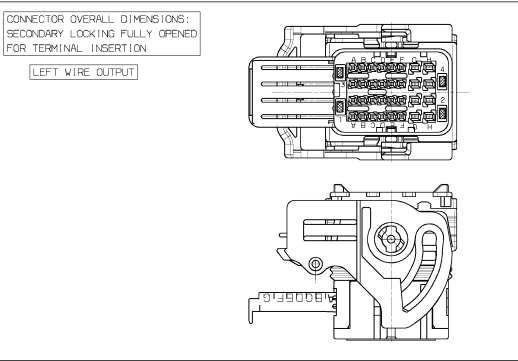
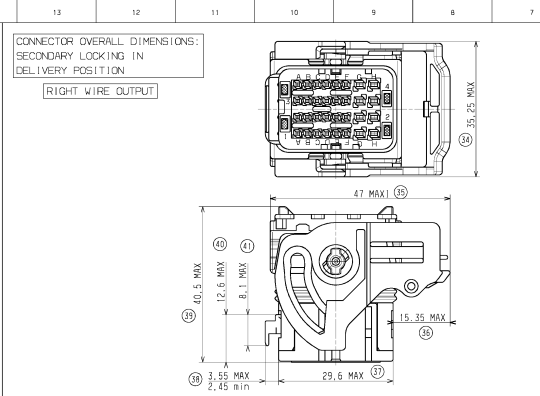
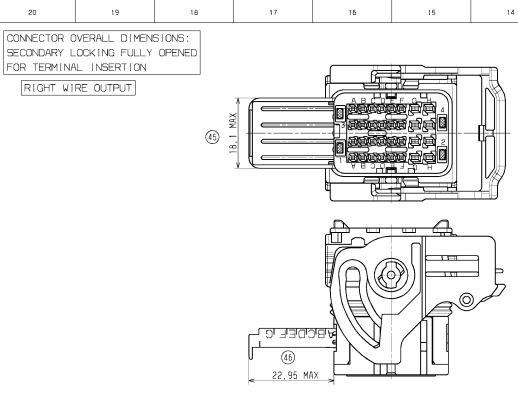
UPDATED DRAWING
ECN NO 02004-0367
DRN: TBADAROUX 2008/04/21
CHK: PERRAUDLAIDE 2008/04/21
APPR: CBOUCHAN 2008/05/21

DRAFT WHERE APPLICABLE MUST REMAIN WITHIN DIMENSIONS

MATERIAL NO: SEE CHART
DOCUMENT NO: SD-98993-001
SHEET NO: 1 OF 2

THIS DRAWING CONTAINS INFORMATION THAT IS PROPRIETARY TO MOLEX INCORPORATED AND SHOULD NOT BE USED WITHOUT WRITTEN PERMISSION

td:\frame\at\p_m\p Rev. D 2004/05/28



COLOR	KEYING	A $+0.1$ 0	B $+0.1$ 0	C $+0.1$ 0	D $+0.1$ 0	E $+0.1$ 0
BLACK	1	9,2	4,4	6	4,4	1,6
GREY	2	7,6	6	9,2	6	1,6
BROWN	3	6	7,6	9,2	9,2	1,6
GREEN	4	7,6	9,2	4,4	4,4	1,6
BLUE	5	4,4	7,6	6	6	1,6
YELLOW	6	9,2	7,6	4,4	7,6	1,6

TERMINALS USED	MOLEX PART NUMBER			
	TIN PLATED TERMINAL		GOLD PLATED TERMINAL 1.27µm min	
FEMALE TERMINAL 0.635 A1 to F1 A2 to F2 A3 to F3 A4 to F4	(0,35 to 0,44 mm ²) 0643221019	(0,5 mm ²) 0643221039	(0,35 to 0,44 mm ²) 0643221229	(0,5 mm ²) 0643221239
FEMALE TERMINAL 1.50 G1 to G4 H1 to H4	(1 mm ²) 0643231029	(>1 to 2 mm ²) 0643231039	(1 mm ²) 0643231319	(>1 to 2 mm ²) 0643231219

SKC: CS CHARACTERISTICS
 ○ DENOTES S.P.C DIMENSIONS
 ⊗ DENOTES CRITICAL DIMENSIONS
 ● DENOTES FUNCTIONAL DIMENSIONS
 ○ DENOTES QUANTITY PER INDIVIDUAL SHEET
 SKC: 9

UPDATED DRAWING EC NO 02004-0367 DRNK TBADAROUX 2008/04/21 CH NO PERANGLAIDE 2008/04/21 APPL CBOUCHAN 2008/04/21 REV	GENERAL TOLERANCES (UNLESS SPECIFIED) mm INCH 4 PLACES ± 3 PLACES ± 2 PLACES ± 0.1 ± 1 PLACE ± 0.1 ± ANGULAR ± 2°	DIMENSION STYLE MM ONLY DRAWN BY TBADAROUX 2007/07/16 CHECKED BY PERANGLAIDE 2007/07/16 APPROVED BY CBOUCHAN 2007/07/16	SCALE 2:1 DESIGN UNITS METRIC FIRST ANGLE PROJECTION	TITLE CMC CONNECTOR T2 32 WAY MATT SEAL VERSION MOLEX INCORPORATED	MATERIAL NO. SEE SHEET 1 DOCUMENT NO. SD-98993-001 SHEET NO. 2 OF 2
	DRAFT WHERE APPLICABLE MUST REMAIN WITHIN DIMENSIONS THIS DRAWING CONTAINS INFORMATION THAT IS PROPRIETARY TO MOLEX INCORPORATED AND SHOULD NOT BE USED WITHOUT WRITTEN PERMISSION				