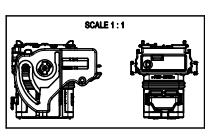


71	MAT SEAL	Silicon	GREEN
72	BACK GRID 24W	-PBT-GF20+	COLOR LINKED TO LINE CLOSED
73	LOCKING LEVER 32W	-PBT-GF30+	BLACK
74	SECONDARY LOCK	-PBT-GF20+	GREEN
75	PERIPHERAL SEAL 32W	Silicon	BLUE
76	BACK PART	-PBT-GF20+	BLACK
77	FRONT PART	-PBT-GF20+	COLOR LINKED TO KEYING
POS.	DESIGNATION	MATERIAL	COLOR

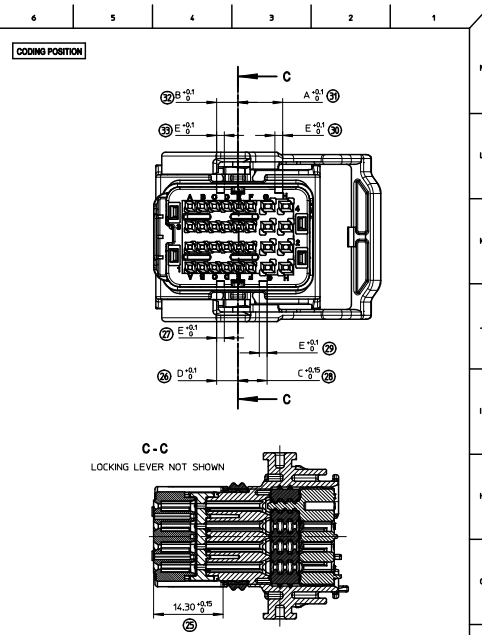
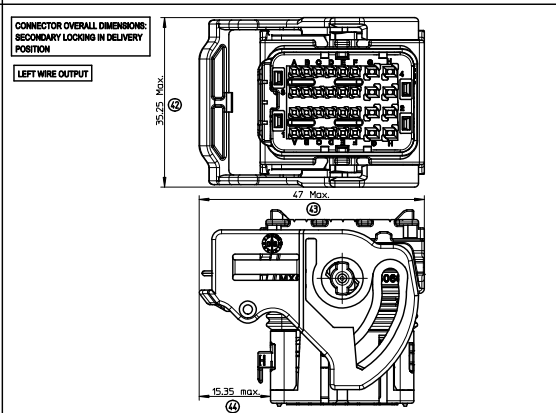
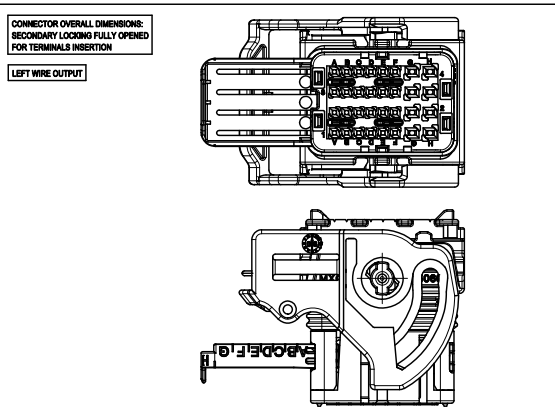
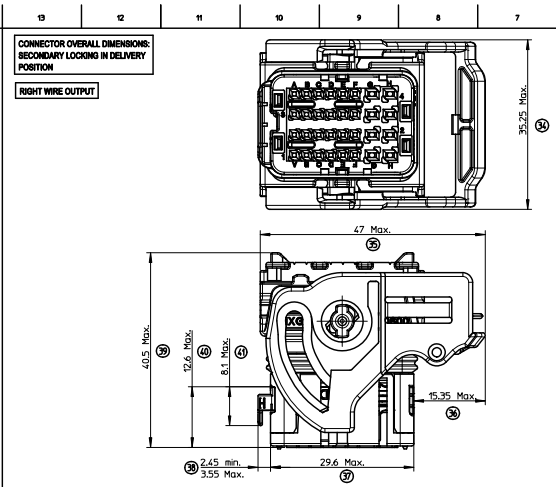
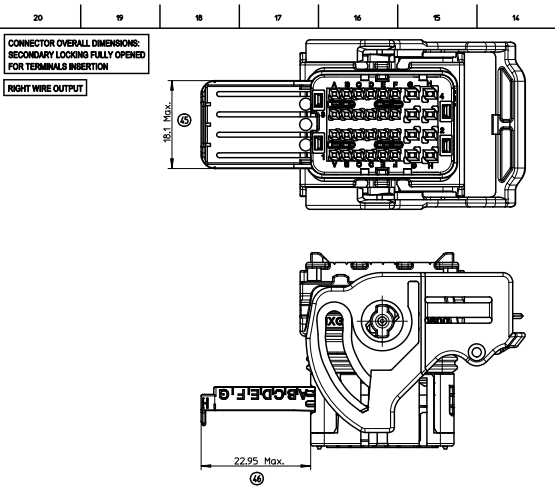
MARKINGS :

- Assembled part traceability: Day + Year
- Terminal cavities identification
- Lever position indicator: "D" LETTER VISIBLE = part with "LEVER ON THE RIGHT" "G" LETTER VISIBLE = part with "LEVER ON THE LEFT"
- Supplier identification
- Material identification



- NOTES:**
- 1-FOR ILLUSTRATION PURPOSE THE FEMALE HOUSING SHOWN IS THE RIGHT WIRE OUTPUT VERSION CODING 1
 - 2-APPLICATION SPECIFICATION: AS-64319-001
 - 3-WIRES EXTERNAL DIAMETER USED:
FOR CP04 TERMINAL: USE WIRES WITH AN EXTERNAL DIAMETER BETWEEN Ø1250µm MIN AND Ø1500µm MAX
FOR CP15 TERMINAL: USE WIRES WITH AN EXTERNAL DIAMETER BETWEEN Ø1400µm MIN AND Ø2800µm MAX
 - 4-THE CONNECTOR FITS WITH WIRE CAP (32 WAY) MOLEX P/N 0643191201
 - 5-BLIND PLUG FOR 06 AND 15 CAVITIES MOLEX P/N 0643251010 AND 0643251020 MUST BE USED ON THIS PART.
 - 6-DELIVERED PRODUCT WEIGHT: 27.6 g

UPDATED DRAWING DEC. NO. 2008/05/23 DRAWING ENGINEER: C. BOUCHAN DESIGNED BY: C. BOUCHAN CHECKED BY: P. GRANDCLAUD APPROVED BY: C. BOUCHAN DATE: 2008/05/23	GENERAL TOLERANCES (UNLESS SPECIFIED): 4 PLACES ± 0.15 mm 3 PLACES ± 0.1 mm 2 PLACES ± 0.1 mm 1 PLACE ± 0.1 mm ANGULAR ± 2°	DIMENSION STYLE: MM ONLY SCALE: 2.5:1 DESIGN UNITS: METRIC FIRST ANGLE PROJECTION	DRAWN BY: T. BADAROUX DATE: 2008/05/23 CHECKED BY: DANIE DATE: 2008/05/23 APPROVED BY: C. BOUCHAN DATE: 2008/05/23	CMC CONNECTOR 24 WAY MAT SEAL VERSION MOLEX INCORPORATED	SHEET NO. 1 OF 2 SHEET 1 DOCUMENT NO. SD-64319-003
	DRAFT WHERE APPLICABLE MUST REMAIN WITHIN DIMENSIONS				
	SEE SHEET 2				
	THIS DRAWING CONTAINS INFORMATION THAT IS PROPRIETARY TO MOLEX INCORPORATED AND SHOULD NOT BE USED WITHOUT WRITTEN PERMISSION				



COLOR	CODING	A	B	C	D	E
BLACK	1	9.2	4.4	6	4.4	1.6
GREY	2	7.6	6	9.2	6	1.6
BROWN	3	6	7.6	9.2	9.2	1.6
BLUE	5	4.4	7.6	6	6	1.6

TERMINALS USED

CATEGORY	FEMALE TERMINALS (pitch in mm)	PLATING	MOLEX P/N	min / MAX WIRE INSULATION DIAMETER (mm)
A1 to F1 A2 to F2 A3 to F3 A4 to F4	CP 0.6 0.5mm2	Tin plated	0643221019	Ø125 min / Ø140 Max
		Gold plated	0643221229	
	CP 0.6 0.5mm2	Tin plated	0643221039	Ø140 min / Ø170 Max
		Gold plated	0643221239	
G1 to H4 G1 to H4	CP 0.6 0.75mm2	Tin plated	0643221029	Ø160 min / Ø190 Max
		Gold plated	0643221219	
	CP 15 0.5mm2 to 1mm2	Tin plated	0643221029	Ø140 min / Ø215 Max
		Gold plated	0643221319	
CP 15 >1mm2 to 2mm2	Tin plated	0643221039	Ø210 min / Ø280 Max	
	Gold plated	0643221219		

UPDATED DRAWING
 ED: M. A. L. P. AM.F
 D: DRINGER/SERRES 2008/04/04
 CHIKOC, BOUCHAN
 APPR: [REDACTED]

GENERAL TOLERANCES (UNLESS SPECIFIED)	
mm	INCH
4 PLACES ± 0.1	± 0.004
3 PLACES ± 0.15	± 0.006
2 PLACES ± 0.2	± 0.008
1 PLACE ± 0.3	± 0.012
ANGULAR ± 2°	

DRIVEN BY	T. BADAROUX	DATE	2008/05/23	TITLE	CMC CONNECTOR 24 WAY MAT SEAL VERSION
CHECKED BY	P. GRANDCLAUD	DATE	2008/05/23	APPROVED BY	C. BOUCHAN
MATERIAL NO.	SEE SHEET 2/3	DOCUMENT NO.	SD-64319-003	SHEET NO. 2 OF 2	

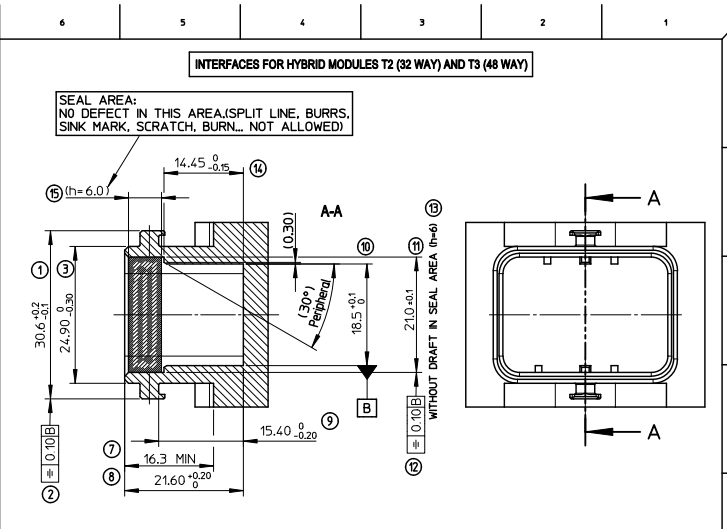
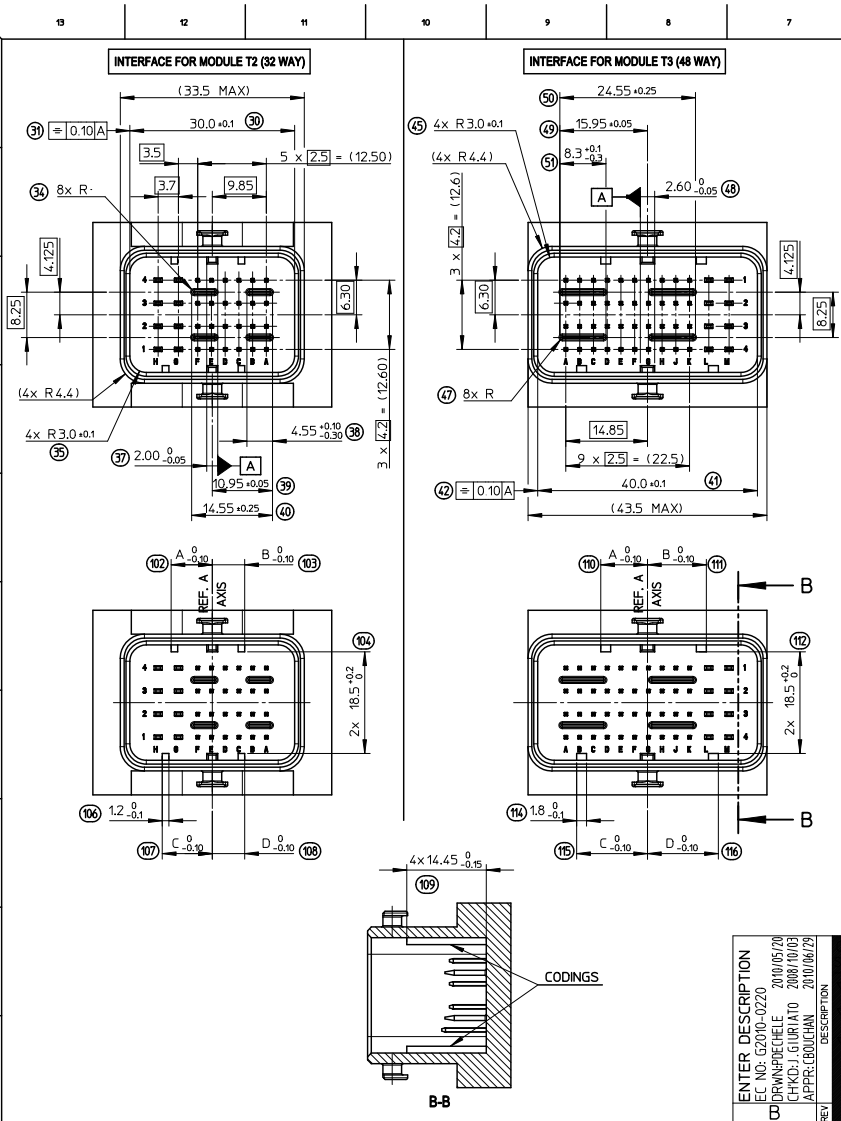
© FIRST ANGLE PROJECTION

SCALE 2.5:1

DESIGN UNIT'S METRIC

MOLEX INCORPORATED

THIS DRAWING CONTAINS INFORMATION THAT IS PROPRIETARY TO MOLEX INCORPORATED AND SHOULD NOT BE USED WITHOUT WRITTEN PERMISSION



HEADERS CODINGS

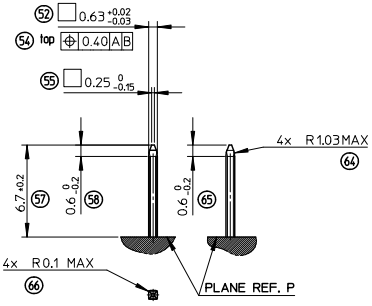
(CODING 2 SHOWN) (CODING 3 SHOWN)

HEADER'S CODINGS FOR MODULE T2 (32W)						HEADER'S CODINGS FOR MODULE T3 (48W)					
COLOR	CODING	DIM. A	DIM. B	DIM. C	DIM. D	COLOR	CODING	DIM. A	DIM. B	DIM. C	DIM. D
BLACK	1	9.1	4.3	5.9	4.3	BLACK	1	12.9	6.3	8.5	6.3
GREY	2	7.5	5.9	9.1	5.9	GREY	2	10.7	8.5	12.9	8.5
BROWN	3	5.9	7.5	9.1	9.1	BROWN	3	8.5	10.7	12.9	12.9
GREEN	4	7.5	9.1	4.3	4.3	GREEN	4	10.7	12.9	6.3	6.3
BLUE	5	4.3	7.5	5.9	5.9	BLUE	5	6.3	10.7	8.5	8.5
YELLOW	6	9.1	7.5	4.3	7.5	YELLOW	6	12.9	10.7	6.3	10.7

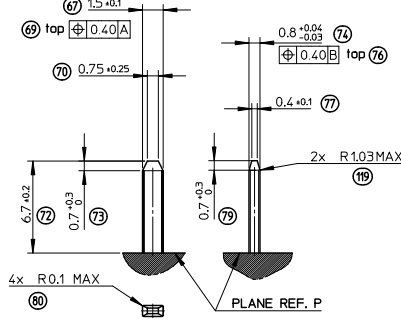
NOTE:
 1- INTERFACE DEFINITION BASED ON NFR13-462 STANDARD.
 2- HEADER: ELASTICITY MODULUS: 8000Mpa min.
 (INITIAL CONDITION BEFORE AGEING)

ENTER DESCRIPTION EC NO: G2010-0220 DRAWN BY: G. DESBRUERES CHKD: J. GIURIATO APPR: C. BOUCHAN	GENERAL TOLERANCES (UNLESS SPECIFIED) mm INCH 4 PLACES ± --- ± --- 3 PLACES ± 0.10 ± --- 2 PLACES ± 0.10 ± --- 1 PLACE ± 0.10 ± --- ANGULAR ± 2°	DIMENSION STYLE MM ONLY DRAWN BY: G. DESBRUERES CHECKED BY: J. GIURIATO APPROVED BY: O. PLESSIS DATE: 2008/10/02 DATE: 2008/10/03 DATE: 2008/10/06	SCALE 2:1 DESIGN UNITS METRIC FIRST ANGLE PROJECTION	TITLE INTERFACES FOR CONNECTOR 32 & 48 CKT CMC GENERIC SALES DRAWING MOLEX INCORPORATED	DOCUMENT NO. SD-98644-006 SHEET NO. 1 OF 3
	DRAFT WHERE APPLICABLE MUST REMAIN WITHIN DIMENSIONS		MATERIAL NO. N/A	MOLEX INCORPORATED	
	SIZE A		THIS DRAWING CONTAINS INFORMATION THAT IS PROPRIETARY TO MOLEX INCORPORATED AND SHOULD NOT BE USED WITHOUT WRITTEN PERMISSION		DATE 2009/06/18
	REV				

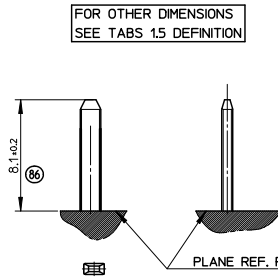
PINS 0.635 DEFINITION
5:1



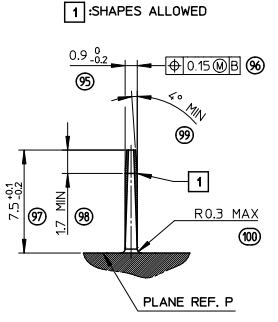
TABS 1.5 DEFINITION
5:1



GROUND TABS 1.5 DEFINITION
5:1

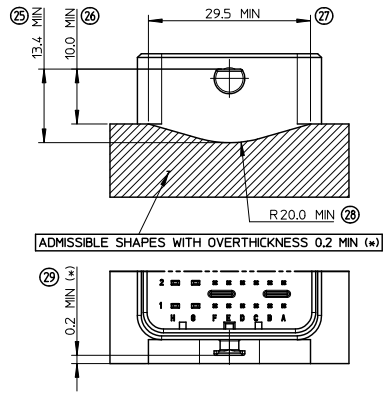


PROTECTION WALL DEFINITION
5:1

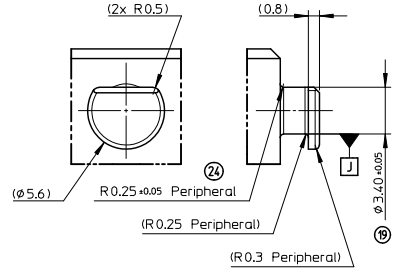


LOCKING AXIS PROTECTION
2:1

MANDATORY OVERTHICKNESS: dimension noted (*) IF THE LOCKING AXIS ARE OUT OF EQUIPMENT OVERALL DIMENSIONS.



LOCKING AXIS DEFINITION
5:1

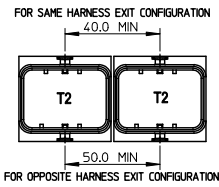


ENTER DESCRIPTION IEC NO. G2010-0220 DRAWN BY: G. DESBRUERES CHKD.: J. GIURIATO APPR.: E. BOUCHAL	GENERAL TOLERANCES (UNLESS SPECIFIED)		DIMENSION STYLE MM ONLY	SCALE 1:1	DESIGN UNITS METRIC	FIRST ANGLE PROJECTION	
	4 PLACES ± --- ± --- 3 PLACES ± --- ± --- 2 PLACES ± 0.10 ± --- 1 PLACE ± 0.10 ± --- ANGULAR ± 2 °	m/m INCH	DRAWN BY G. DESBRUERES	DATE 2008/10/02	TITLE INTERFACES FOR CONNECTOR 32 & 48 CKT CMC GENERIC SALES DRAWING		
	DRAFT WHERE APPLICABLE MUST REMAIN WITHIN DIMENSIONS	MATERIAL NO. N/A	CHECKED BY J. GIURIATO	DATE 2008/10/03	MOLEX INCORPORATED		
	APPROVED BY D. PLESSIS	DATE 2008/10/06	DOCUMENT NO. SD-98644-006	SHEET NO. 2 OF 3	THIS DRAWING CONTAINS INFORMATION THAT IS PROPRIETARY TO MOLEX INCORPORATED AND SHOULD NOT BE USED WITHOUT WRITTEN PERMISSION		

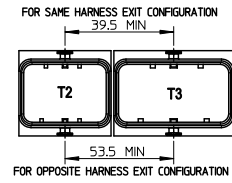
CONNECTOR ON HEADER - OVERALL DIMENSIONS

MULTI-HEADERS LAYOUT

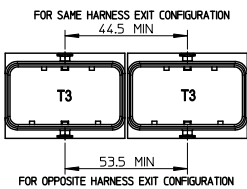
LAYOUT FOR TWO INTERFACES T2 (32W)



LAYOUT FOR TWO INTERFACES T2 (32W) AND T3 (48W)



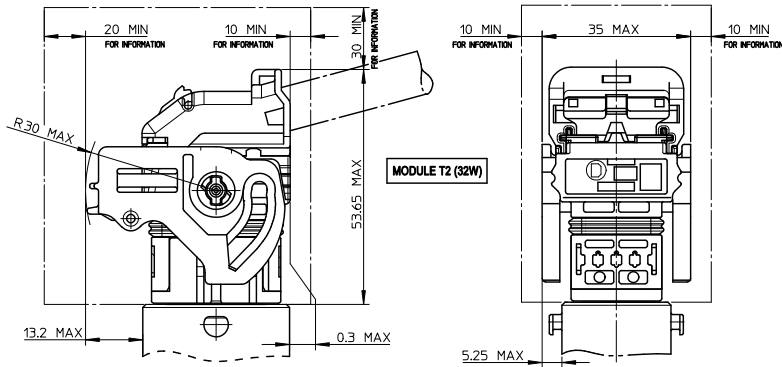
LAYOUT FOR TWO INTERFACES T3 (48W)



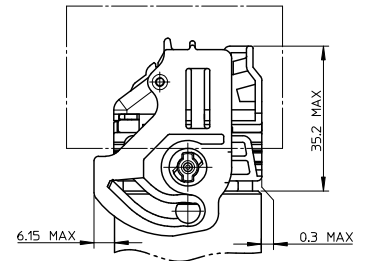
LEGEND:

FREE VOLUME FOR MANUAL LOCKING AND UNLOCKING DIMENSIONS GIVEN FOR INFORMATION ONLY TO BE CONFIRMED BASED UPON VEHICLE CONFIGURATION.

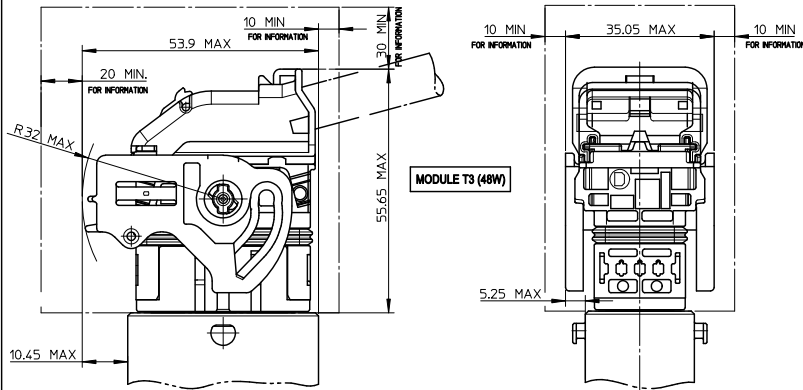
UNLOCKED CONNECTOR - OVERALL DIMENSIONS



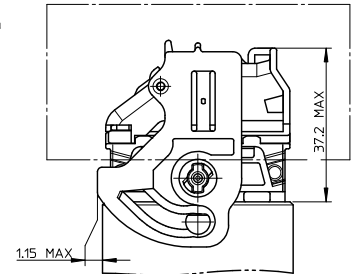
LOCKED CONNECTOR - OVERALL DIMENSIONS



UNLOCKED CONNECTOR - OVERALL DIMENSIONS



LOCKED CONNECTOR - OVERALL DIMENSIONS



NOTE:
1- T2 = 32 WAY / T3 = 48 WAY

ENTER DESCRIPTION EC NO: G2010-0220 2010/05/20 DRAWN BY: G. DESBRUERES 2008/10/03 CHKD.: J. GIURIATO 2008/10/03 APPR.: G. BOUCHAN 2010/06/29	GENERAL TOLERANCES (UNLESS SPECIFIED)		DIMENSION STYLE MM ONLY	SCALE 1:1	DESIGN UNITS METRIC	☉ FIRST ANGLE PROJECTION	
	4 PLACES ± --- ± --- 3 PLACES ± --- ± --- 2 PLACES ± 0.10 ± --- 1 PLACE ± 0.10 ± ---	mm INCH	DRAWN BY DATE G. DESBRUERES 2008/10/02	TITLE INTERFACES FOR CONNECTOR 32 & 48 CKT CMC GENERIC SALES DRAWING			
	ANGULAR ± 2 °	DRAFT WHERE APPLICABLE MUST REMAIN WITHIN DIMENSIONS	CHECKED BY DATE J. GIURIATO 2008/10/03	APPROVED BY DATE O. PLESSIS 2008/10/06	MOLEX INCORPORATED		
	MATERIAL NO. N/A	DOCUMENT NO. SD-98644-006	SHEET NO. 3 OF 3				