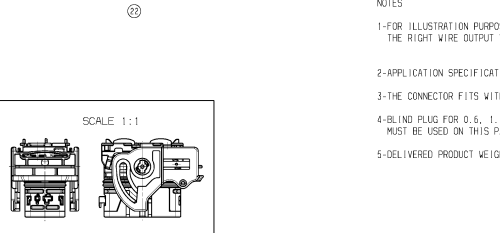
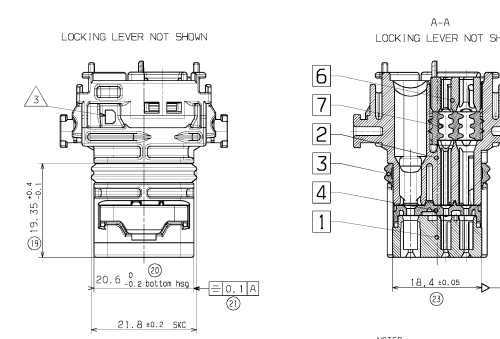
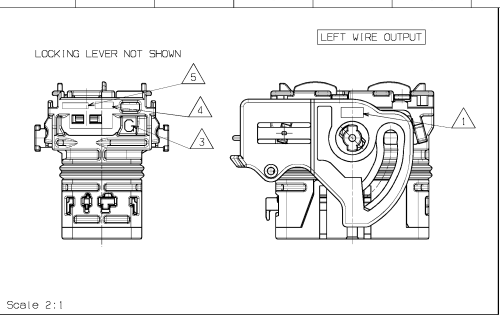
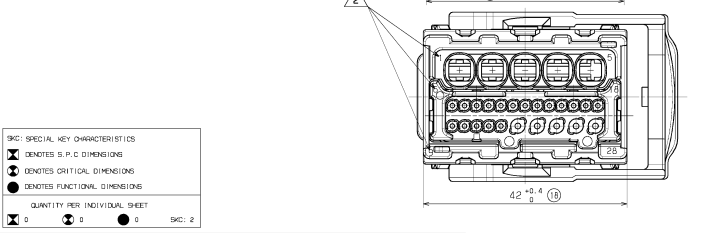
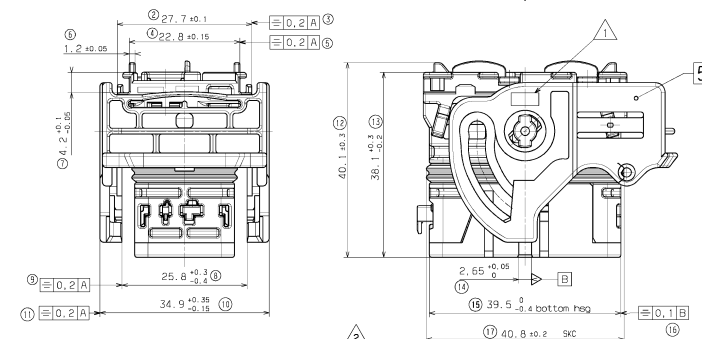
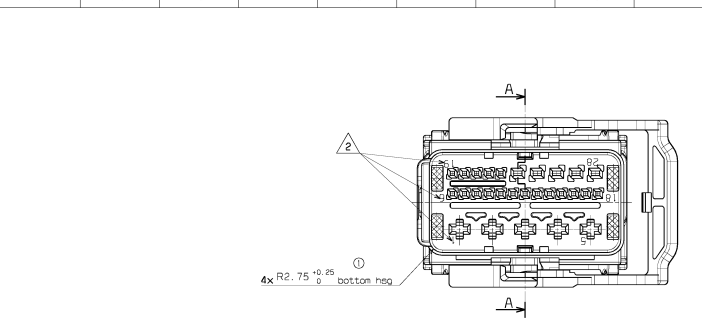


20 19 18 17 16 15 14 13 12 11 10 9 8 7 6 5 4 3 2 1



LEFT WIRE OUTPUT

MATERIAL NUMBER	COLOR
0643181011	BLACK
0643181018	GREY
0643181019	BROWN

RIGHT WIRE OUTPUT

MATERIAL NUMBER	COLOR
0643183011	BLACK
0643183018	GREY
0643183019	BROWN

SPECIAL KEY CHARACTERISTICS

- ☒ DENOTES S.P.C DIMENSIONS
- Ⓢ DENOTES CRITICAL DIMENSIONS
- Ⓣ DENOTES FUNCTIONAL DIMENSIONS

QUANTITY PER INDIVIDUAL SHEET

☒ 0 Ⓢ 0 Ⓣ 0 SPC: 2

REF.	DESIGNATION	MATERIAL	COLOR
7	MATT SEAL	SILICONE	GREEN ORANGE
6	BACK GRID 23 WAY	>PBT-QF20<	GREY
5	LOCKING LEVER SIZE 3	>PBT-QF30<	BLACK
4	SECONDARY LOCK	>PBT-QF20<	YELLOW
3	PERIPHERAL SEAL SIZE 3	SILICONE	RED
2	BACK PART	>PBT-QF20<	BROWN
1	FRONT PART	>PBT-QF20<	COLOR LINKED TO KEYING

MARKINGS

- Ⓢ Assembled part traceability "day + year"
- Ⓣ Terminal cavities identification
- Ⓣ Lever position indicator: "D" LETTER VISIBLE= part with "LEVER ON THE RIGHT" "G" LETTER VISIBLE= part with "LEVER ON THE LEFT"
- Ⓢ Supplier identification
- Ⓢ Material identification

GENERAL TOLERANCES (UNLESS SPECIFIED)		DIMENSION STYLE		SCALE		DESIGN UNITS		FIRST ANGLE PROJECTION	
PLACES		MM	INCH	2.5:1	METRIC	☒			
4	PLACES ±								
3	PLACES ±								
2	PLACES ± 0.1								
1	PLACES ± 0.1								
	ANGULAR ± 2°								

UPDATED DRAWING
 EC NO 020046-387
 DRAWN TBADAROUX 2008/05/16
 CHK'D OPLESSIS 2008/05/16
 APPL'D BROUCHIN 2008/05/16
 REV 1

DRAWN BY TBADAROUX 2007/09/25
 CHECKED BY OPLESSIS 2007/09/25
 APPROVED BY BROUCHIN 2007/09/25

MATERIAL NO. SD-64318-001
 DOCUMENT NO. SD-64318-001

DRAFT WHERE APPLICABLE MUST REMAIN WITHIN DIMENSIONS

SEE CHART

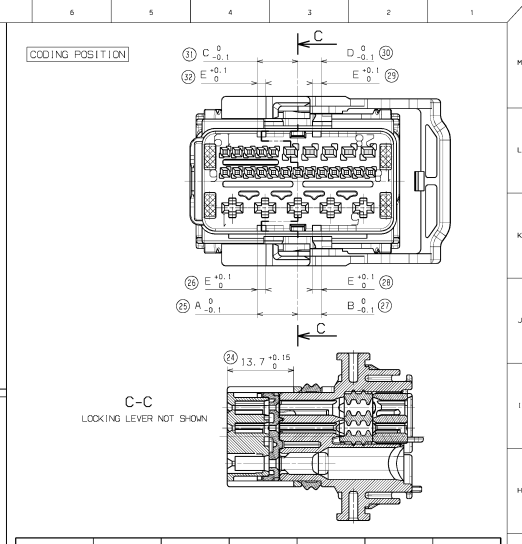
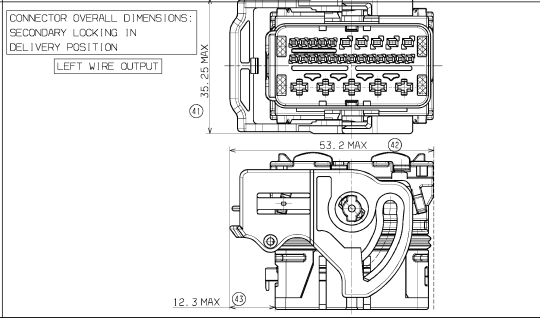
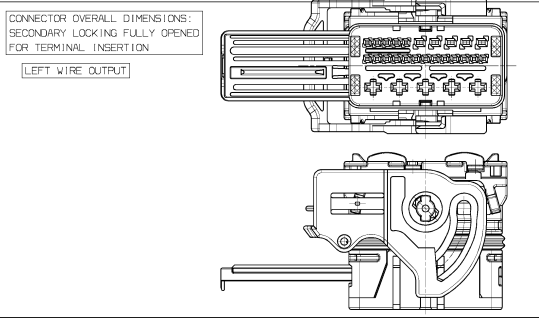
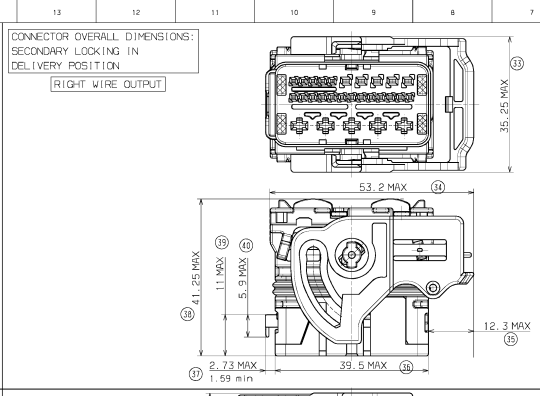
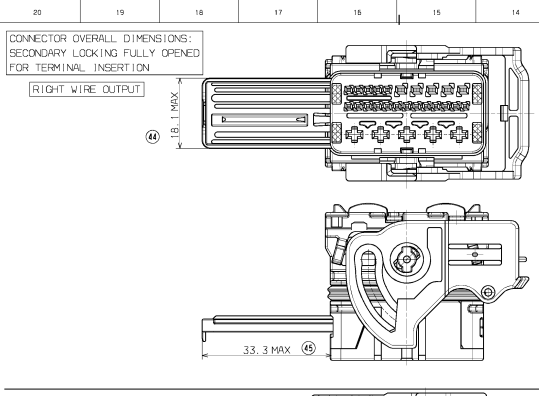
THIS DRAWING CONTAINS INFORMATION THAT IS PROPRIETARY TO MOLEX INCORPORATED AND SHOULD NOT BE USED WITHOUT WRITTEN PERMISSION

CMC CONNECTOR 28 CKT POWER MAT SEAL VERSION

MOLEX MOLEX INCORPORATED

SHEET NO. 1 OF 2

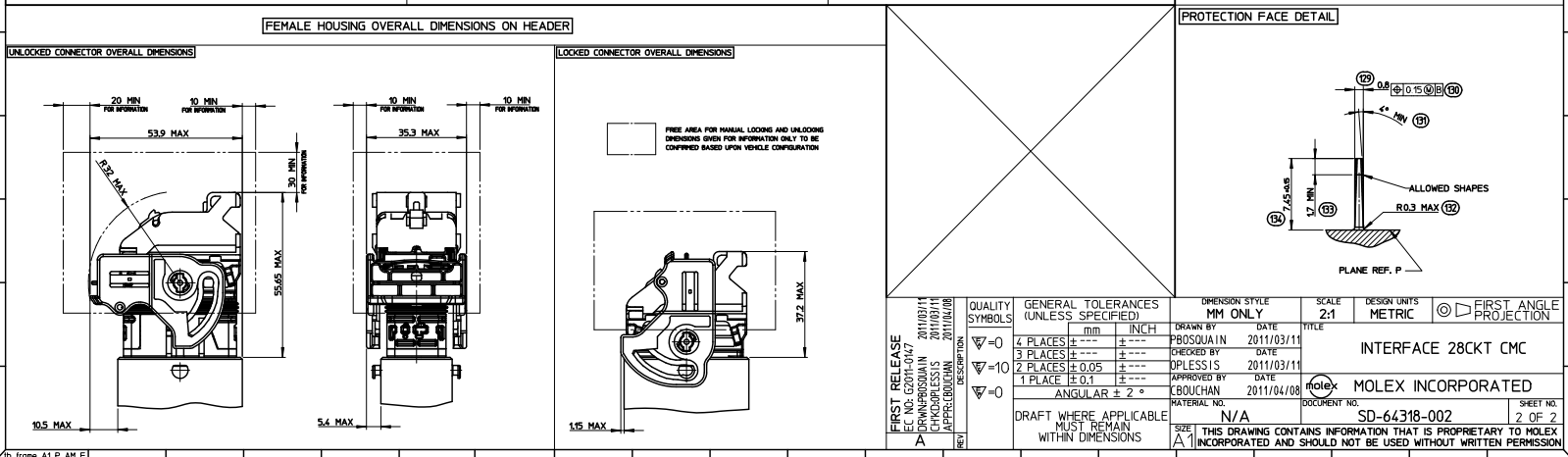
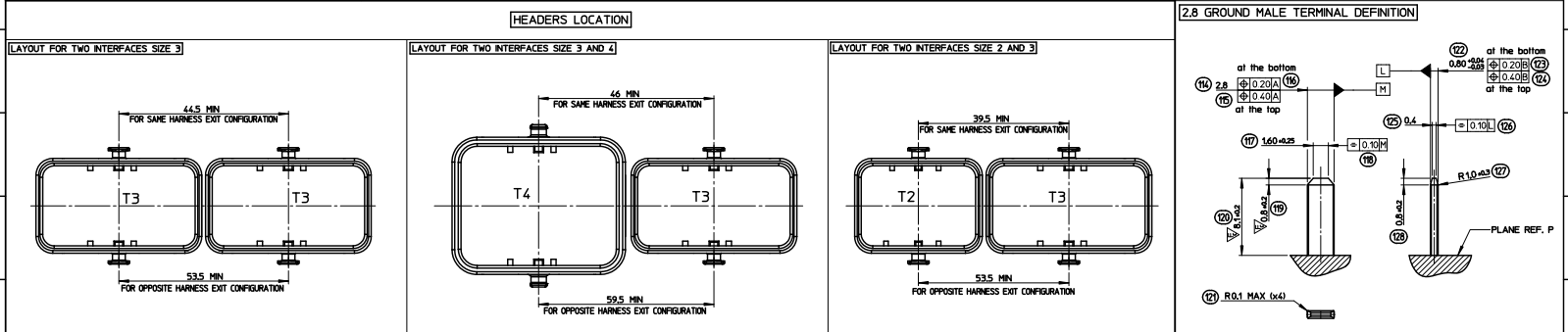
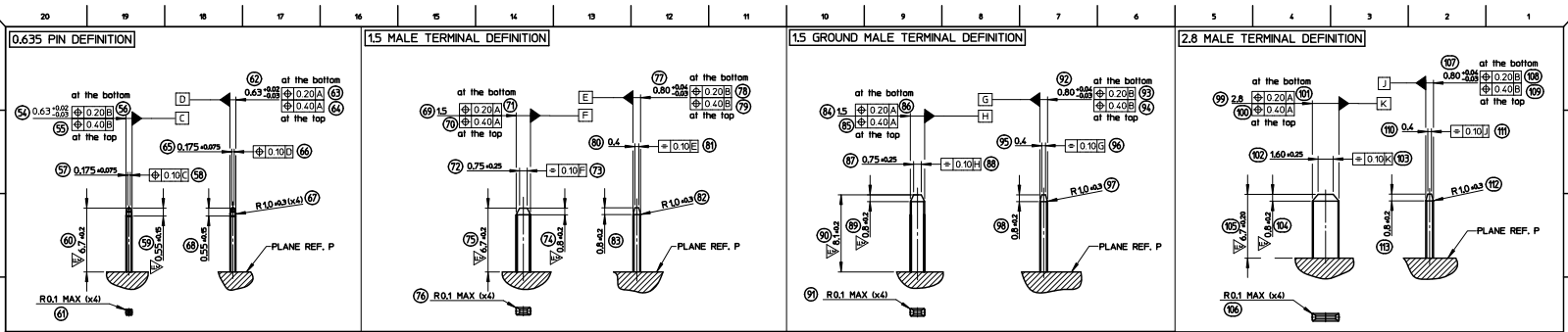
19 18 17 16 15 14 13 12 11 10 9 8 7 6 5 4 3 2 1



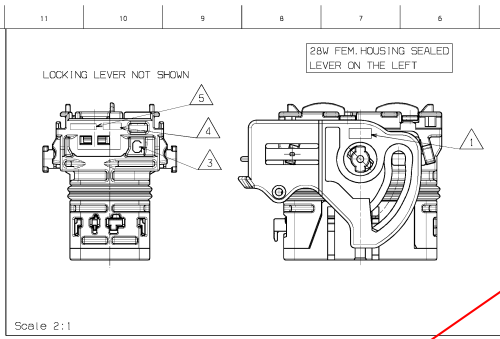
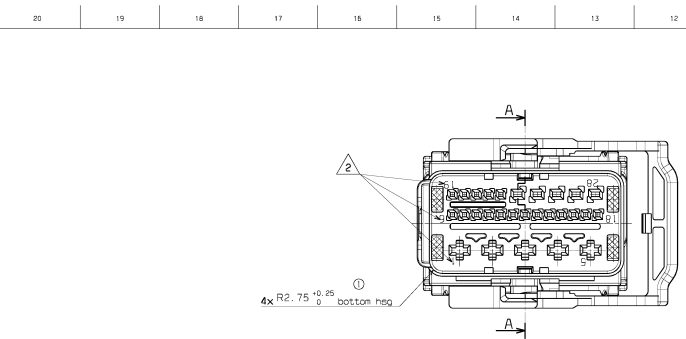
COLOR	KEYING	A	B	C	D	E
BLACK	1	8.4	4.8	8.4	4.8	1.8
GREY	2	8.4	6.6	6.6	6.6	1.8
BROWN	3	8.4	8.4	4.8	10.2	1.8

TERMINALS USED							
CAVITIES	TERMINALS (Cable to mm ²)	REPLACEMENT PLATING	MOLEX P/N	WIRE SEAL	WIRE INSULATION DIAMETER		
6 to 23	CP 0.6 (0.35mm ² to 0.4mm ²)	Tin plated	0643221019		Ø1.25 min / Ø1.40 Max		
		Gold plated	0643221229				
	CP 0.6 (0.5mm ²)	Tin plated	0643221039			Ø1.40 min / Ø1.90 Max	
		Gold plated	0643221239			Ø1.40 min / Ø1.90 Max	
24 to 28	CP 0.6 (0.75mm ²)	Tin plated	0643221029		Ø1.40 min / Ø1.90 Max		
		Gold plated	0643221219				
	CP 1.5 (0.5mm ² to 1mm ²)	Tin plated	0643231029			Ø1.45 min / Ø2.15 Max	
		Gold plated	0643231319			Ø2.10 min / Ø2.80 Max	
1 to 5	CP 1.5 (>1mm ² to 2mm ²)	Tin plated	0643231039		Ø2.10 min / Ø2.80 Max		
		Gold plated	0643231219				
	CP 2.8 (>0.5mm ² to 1mm ²)	Tin plated	0643251049			0643251162	Ø1.40 min / Ø2.15 Max
		Gold plated	0643251149				
	CP 2.8 (>1mm ² to 2mm ²)	Tin plated	0643251039	0643251175	Ø2.10 min / Ø2.80 Max		
		Gold plated	0643251139				
	CP 2.8 (>2mm ² to 3mm ²)	Tin plated	0643251029	0643251188	Ø2.65 min / Ø3.45 Max		
		Gold plated	0643251129				
	CP 2.8 (>3mm ² to 5mm ²)	Tin plated	0643251019	0643251196	Ø3.40 min / Ø4.00 Max		
		Gold plated	0643251119				

UPDATED DRAWING EC NO 02004-0367 DRAWN TBADAROUX 2008/05/16 CHK'D OPLESSIS 2008/05/16 APPROVED CROUCHAN 2008/05/16 REV 1	GENERAL TOLERANCES (UNLESS SPECIFIED) mm INCH 4 PLACES ± 3 PLACES ± 2 PLACES ± 0.1 ± 1 PLACE ± 0.1 ± ANGULAR ± 2°	DIMENSION STYLE MM ONLY DRAWN BY TBADAROUX 2007/09/25 CHECKED BY OPLESSIS 2007/09/25 APPROVED BY CROUCHAN 2007/09/25	SCALE 2:1 DESIGN UNITS METRIC TITLE CMC CONNECTOR 28 CKT POWER MAT SEAL VERSION MOLEX INCORPORATED	FIRST ANGLE PROJECTION DOCUMENT NO. SD-64318-001 SHEET NO. 2 OF 2	
	DRAFT WHERE APPLICABLE MUST REMAIN WITHIN DIMENSIONS		MATERIAL NO. SEE CHART	THIS DRAWING CONTAINS INFORMATION THAT IS PROPRIETARY TO MOLEX INCORPORATED AND SHOULD NOT BE USED WITHOUT WRITTEN PERMISSION	
			SIZE A1		

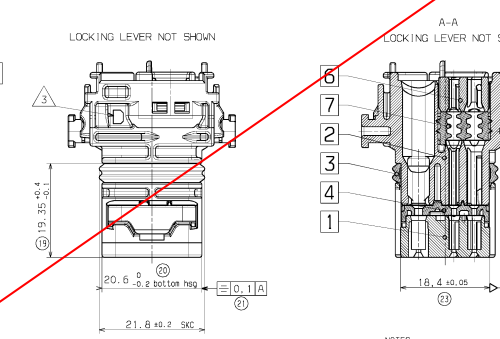
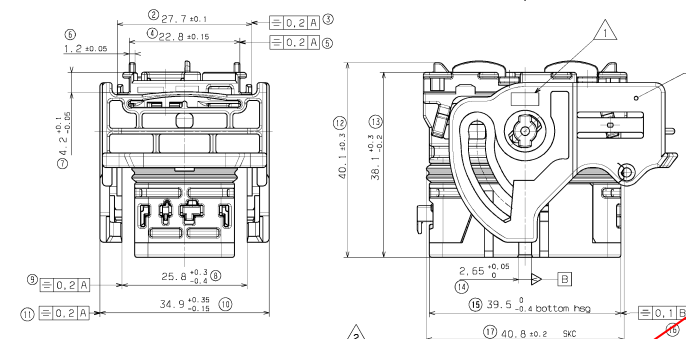


<p>FIRST RELEASE</p> <p>EC NO. 2004/18</p> <p>DRMANSOUAN 2011/03/11</p> <p>CHKCORP/LESS 2011/03/11</p> <p>APPRO/BOUCHAN 2011/04/08</p>	<p>QUALITY SYMBOLS</p> <p>$\nabla-0$</p> <p>$\nabla-10$</p> <p>$\nabla-0$</p>	<p>GENERAL TOLERANCES (UNLESS SPECIFIED)</p> <p>mm INCH</p> <p>4 PLACES ± 0.05</p> <p>3 PLACES ± 0.05</p> <p>2 PLACES ± 0.1</p> <p>1 PLACE ± 0.1</p> <p>ANGULAR $\pm 2^\circ$</p> <p>DRAFT WHERE APPLICABLE MUST REMAIN WITHIN DIMENSIONS</p>	<p>SCALE</p> <p>2:1</p> <p>DESIGN UNITS</p> <p>METRIC</p> <p>FIRST ANGLE PROJECTION</p>	<p>INTERFACE 28CKT CMC</p> <p>MOLEX INCORPORATED</p> <p>SD-64318-002</p> <p>SHEET NO. 2 OF 2</p>
--	--	--	---	--



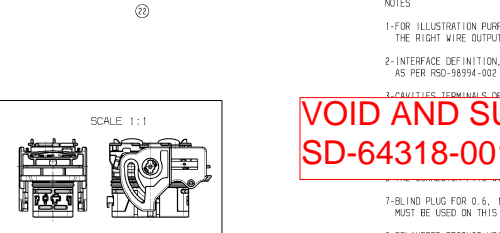
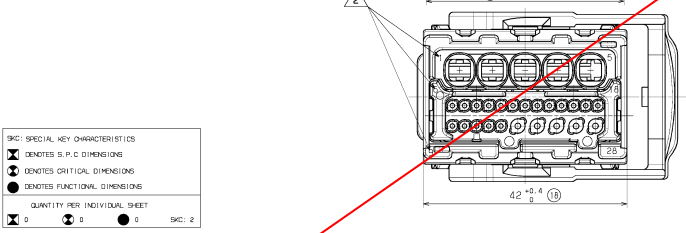
LEVER ON THE LEFT

MATERIAL NUMBER	COLOR
0643181011	BLACK
0643181018	GREY
0643181019	BROWN
	GREEN



LEVER ON THE RIGHT

MATERIAL NUMBER	COLOR
0643183011	BLACK
0643183018	GREY
0643183019	BROWN
	GREEN



NOTES
 1-FOR ILLUSTRATION PURPOSE THE FEMALE HOUSING SHOWN IS THE RIGHT WIRE OUTPUT VERSION CODING 1
 2-INTERFACE DEFINITION, OVERALL DIMENSION AND LOCATION ON HEADER AS PER RSD-98994-002
 3-CAVITIES TERMINALS DESIGN AS PER

VOID AND SUPERSEDED BY SD-64318-001 rev B

7-BLIND PLUG FOR 0.6, 1.5 AND 2.8 CAVITIES (MOLEX P/N 0643251010 0643251023 0643251091) MUST BE USED ON THIS PART
 8-DELIVERED PRODUCT WEIGHT: 35,2 g

SPECIAL KEY CHARACTERISTICS

- ☒ DENOTES S.P.C DIMENSIONS
- Ⓢ DENOTES CRITICAL DIMENSIONS
- Ⓣ DENOTES FUNCTIONAL DIMENSIONS

QUANTITY PER INDIVIDUAL SHEET

□ 0 ● 1 ○ 2

QTY	MARK	DESIGNATION	MATERIAL	COLOR
0989940094	7	MATT SEAL	SILICONE	GREEN ORANGE
0989940093				
0989940058	6	BACK GRID 23 WAY	>PBT-GF20<	GREY
0989930341	5	LOCKING LEVER SIZE 3	>PBT-GF30<	BLACK
0989940034	4	SECONDARY LOCK	>PBT-GF20<	YELLOW
0986560002	3	PERIPHERAL SEAL SIZE 3	SILICONE	RED
0989940019	2	BACK PART	>PBT-GF20<	BROWN
0989940021				
0989940028	1	FRONT PART	>PBT-GF20<	COLOR ASSOCIATED TO KEYING
0989940029				

MARKINGS

- Ⓢ Assembled part traceability "day + year"
- Ⓣ Terminal cavities identification
- Ⓣ Lever position indicator: "D" LETTER VISIBLE = part with "LEVER ON THE RIGHT" "G" LETTER VISIBLE = part with "LEVER ON THE LEFT"
- Ⓢ Supplier identification
- Ⓢ Material identification

GENERAL TOLERANCES (UNLESS SPECIFIED)	DIMENSION STYLE	SCALE	DESIGN UNITS	FIRST ANGLE PROJECTION
4 PLACES ±	MM ONLY	2.5:1	METRIC	
3 PLACES ±				
2 PLACES ± 0.1 ±				
1 PLACE ± 0.1 ±				
ANGULAR ± 2°				

DRAWN BY	DATE	YTD
TBADAROUX	2007/09/25	
CHECKED BY	DATE	
OPLESSIS	2007/09/25	
APPROVED BY	DATE	
CBOLICHAN	2007/09/25	

DOCUMENT NO. SD-98994-001

SHEET NO. 1 OF 2

