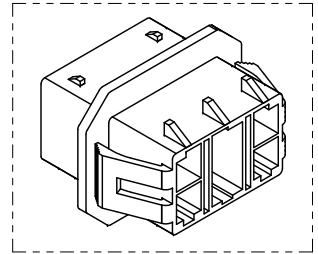
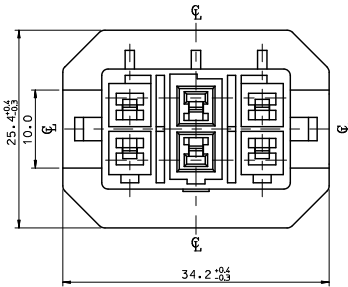
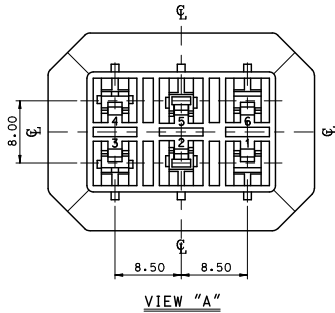
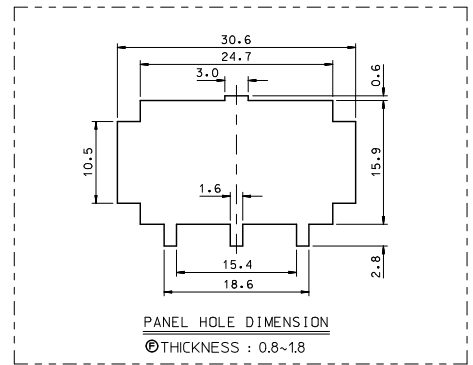
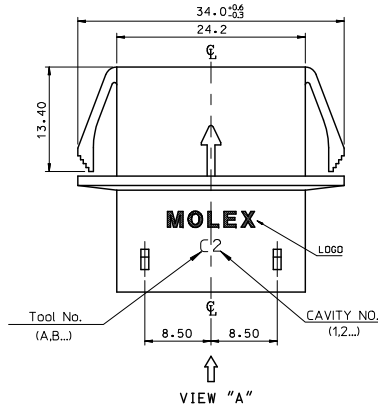
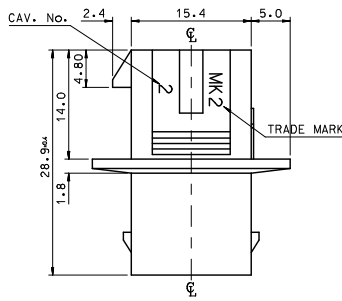


10 9 8 7 6 5 4 3 2 1



- NOTES.
1. MATERIAL & COLOR : SEE TABLE
 2. MATED HOUSING : 35181-020*
35181-021*
35181-022*
 3. APPLICABLE TERMINAL : 35745-0*10 (3,4 CIRCUIT)
35746-0*10 (2,5 CIRCUIT)
35747-0*10 (1,6 CIRCUIT)
 4. APPLICABLE T.P.A : 35182-039*
 5. PRODUCT SPECIFICATION : PS-35180-002



NO	PRODUCT		MATERIAL
	PART NO	COLOR	DESCRIPTION
1	35180-0600	NATURAL	POLYESTER (PBT) (UL94V-0)
2	35180-0604	BLUE	
3	35180-0609	NATURAL	PC/PET (UL94V-0)
4	35180-2609	RED	
5	35180-3609	YELLOW	
6	35180-4609	BLUE	

REVISED
 EEC NO: KOR2010-0092
 TDRWN: HPARK01 2010/01/14
 CHKCHKY: YANG 2010/01/14
 APPR: YUNSIKIM 2010/01/14

DESCRIPTION
 QUALITY SYMBOLS
 ▽=0
 ▽=0

GENERAL TOLERANCES (UNLESS SPECIFIED)		
	mm	INCH
4 PLACES	± ---	± ---
3 PLACES	± ---	± ---
2 PLACES	± 0.3	± ---
1 PLACE	± 0.3	± ---
ANGULAR ± 3°		

DRAFT WHERE APPLICABLE MUST REMAIN WITHIN DIMENSIONS

DIMENSION STYLE
 MM ONLY

SCALE
 1:1

DESIGN UNITS
 METRIC

THIRD ANGLE PROJECTION

DRAWN BY
 JS.KANG

DATE
 1995/09/28

CHECKED BY
 BK.CHOI

DATE
 1995/09/28

APPROVED BY
 CW.LEE

DATE
 1995/09/28

MATERIAL NO.
 ENTER PART

TITLE
 .070 MULTI W/W CONN MALE HSG-6P

MOLEX INCORPORATED

DOCUMENT NO.
 SD-35180-060*

SHEET NO.
 1 OF 00

THIS DRAWING CONTAINS INFORMATION THAT IS PROPRIETARY TO MOLEX INCORPORATED AND SHOULD NOT BE USED WITHOUT WRITTEN PERMISSION

9 8 7 6 5 4 3 2 1