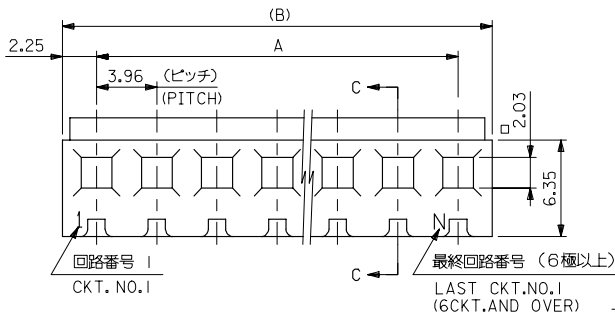
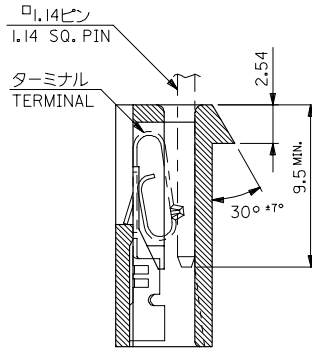
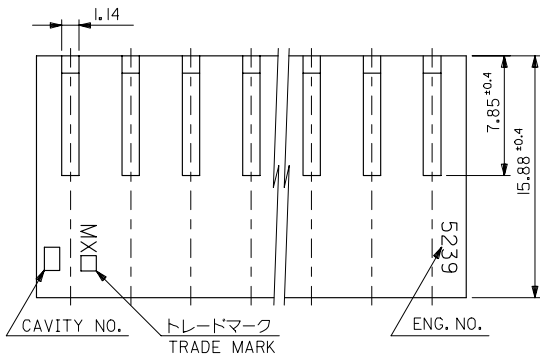


10 9 8 7 6 5 4 3 2 1



注記 NOTES

- 適合ターミナル : 2478,2578,5167,5168 シリーズ
APPLICABLE TERMINAL: 2478,2578,5167,5168 SERIES.
- 反り : 0.2/25.4 MAX.
CAMBER: 0.2/25.4 MAX.



SECT. C-C

| | | | | |
|-------|-------------|------------|----------|---------|
| 79.74 | 75.24 ±0.4 | 09-52-4204 | 5239-20 | 20 |
| 71.82 | 67.32 ±0.35 | ▲ -4184 | ▲ -18 | 18 |
| 67.86 | 63.36 ±0.3 | -4174 | -17 | 17 |
| 63.90 | 59.40 ±0.3 | -4164 | -16 | 16 |
| 59.94 | 55.44 ±0.3 | -4154 | -15 | 15 |
| 55.98 | 51.48 ±0.3 | -4144 | -14 | 14 |
| 52.02 | 47.52 ±0.3 | -4134 | -13 | 13 |
| 48.06 | 43.56 ±0.25 | -4124 | -12 | 12 |
| 44.10 | 39.60 ±0.25 | -4114 | -11 | 11 |
| 40.14 | 35.64 ±0.25 | -4104 | -10 | 10 |
| 36.18 | 31.68 ±0.2 | -4094 | -09 | 9 |
| 32.22 | 27.72 ±0.2 | -4084 | -08 | 8 |
| 28.26 | 23.76 ±0.2 | -4074 | -07 | 7 |
| 24.30 | 19.80 ±0.2 | -4064 | -06 | 6 |
| 20.34 | 15.84 ±0.15 | -4054 | -05 | 5 |
| 16.38 | 11.88 ±0.15 | -4044 | -04 | 4 |
| 12.42 | 7.92 ±0.15 | ▼ -4034 | ▼ -03 | 3 |
| 8.46 | 3.96 ±0.1 | 09-52-4024 | 5239-02 | 2 |
| B | A | EDP NO. | ENG. NO. | 極数 CKT. |

MATERIAL
ナイロン66 UL94V-2
NYLON66

| | | | | | | | |
|--|---------------------------------------|--|-----------------------------|--------------------|---------------------------------|---|------------------------|
| REVISED EC NO. J2006-3401 2006/07/19 DRW:KSAI1001 CHK:MTANAKA 2006/07/19 APP:NIKIITA 2006/07/20 | GENERAL TOLERANCES (UNLESS SPECIFIED) | | DIMENSION STYLE MM ONLY | | SCALE 4:1 | DESIGN UNITS METRIC | THIRD ANGLE PROJECTION |
| | 10 UNDER | ±0.2 | DRAWN BY H. HIRAMOTO | DATE 1989/09/15 | TITLE KK 3.96 RECEPTACLE HSG | | |
| | 10 OVER 30 UNDER | ±0.25 | CHECKED BY S. A / M. F | DATE 1996/04/10 | MOLEX INCORPORATED | | |
| | 30 OVER | ±0.3 | APPROVED BY M. FUKUSHIMA | DATE 1996/04/10 | DOCUMENT NO. SD-5239-N | SHEET NO. 1 OF 1 | |
| ANGULAR ±3 ° | | DRAFT WHERE APPLICABLE MUST REMAIN WITHIN DIMENSIONS | | SEE CHART | | THIS DRAWING CONTAINS INFORMATION THAT IS PROPRIETARY TO MOLEX INCORPORATED AND SHOULD NOT BE USED WITHOUT WRITTEN PERMISSION | |