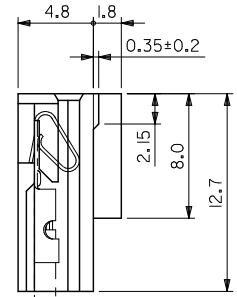
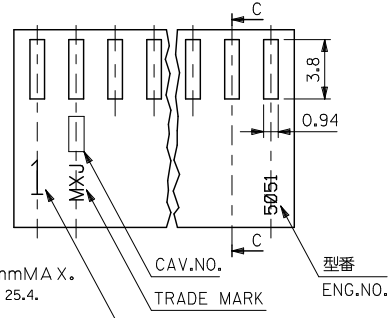
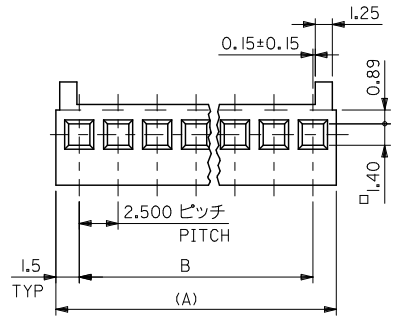


10 9 8 7 6 5 4 3 2 1



- 注) NOTE.
- そりは長さ25.4mmに対して0.2mmMAX. CAMBER MUST BE WITHIN 0.2 MAX. PER 25.4.
 - () 寸法は参考値 DIMENSION SHOWN IN () ARE REFERENCE.
 - サーキットNO. 1のみ表示 但し2極の場合は MX-Jマーク側が1となる WHEN 2 CIRCUITS HOUSING TRADE MARK SIDE IN NO.1 CIRCUIT.

CAV.NO. 型番 ENG.NO.
 TRADE MARK
 サーキットNO. (注3参照) CIRCUIT NO. (1 ONLY) SEE NOTE 3.

ターミナル#2759又は#5159
 TERMINAL #2759 OR #5159

MT'L. NYLON 66(94V-0)

5051-16	22-01-1162	16	37.50±0.25	40.50
▲ -15	▲ -1152	15	35.00±0.20	38.00
-14	-1142	14	32.50±0.20	35.50
-13	-1132	13	30.00±0.20	33.00
-12	-1122	12	27.50±0.20	30.50
-11	-1112	11	25.00±0.15	28.00
-10	-1102	10	22.50±0.15	25.50
-09	-1092	9	20.00±0.15	23.00
-08	-1082	8	17.50±0.15	20.50
-07	-1072	7	15.00±0.15	18.00
-06	-1062	6	12.50±0.10	15.50
-05	-1052	5	10.00±0.10	13.00
-04	-1042	4	7.50±0.10	10.50
▼ -03	▼ -1032	3	5.00±0.10	8.00
5051-02	22-01-1022	2	2.50±0.08	5.50
MATERIAL NO.	PART NO.	極数 N	B	(A)
				MODEL NO. 5051-N

REVISED EC NO: J2010-1867 DRWRT: SURUOKA 2010/03/19 CHKD: THARYAMA 2010/03/23 APPR: HIRATA 2010/03/23	GENERAL TOLERANCES (UNLESS SPECIFIED)		DIMENSION STYLE MM ONLY		SCALE 4:1	DESIGN UNITS METRIC	THIRD ANGLE PROJECTION
	10 UNDER	±0.25	DRAWN BY K. KOHAMA	DATE '00/3/28	TITLE 2.50/(.098) CENTERS KK POLZG HSG		
	10 OVER 30 UNDER	±0.3	CHECKED BY T. YAMAGUCHI	DATE '00/3/30	MOLEX INCORPORATED		
	30 OVER	±0.35	APPROVED BY M. FUKUSHIMA	DATE '00/3/30	DOCUMENT NO. SD-5051-001	SHEET NO. 1 OF 1	
REV	DESCRIPTION	ANGULAR ±3°	MATERIAL NO. SEE TABLE	THIS DRAWING CONTAINS INFORMATION THAT IS PROPRIETARY TO MOLEX INCORPORATED AND SHOULD NOT BE USED WITHOUT WRITTEN PERMISSION			
		DRAFT WHERE APPLICABLE MUST REMAIN WITHIN DIMENSIONS					