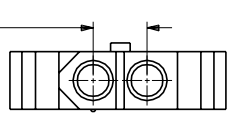
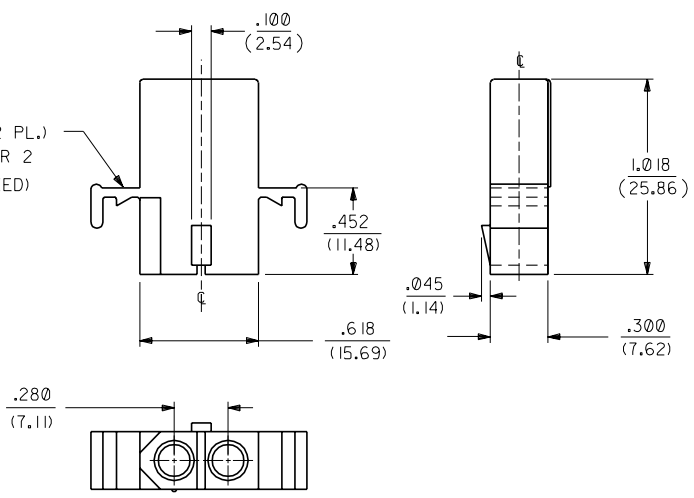


4306-R RECEPTACLE HOUSING

MOUNTING EAR (2 PL.)  
SEE DETAIL 1 OR 2  
(WHEN SPECIFIED)



REVISIONS SHOWN (METRIC) INCH  
UNLESS OTHERWISE SPECIFIED  
TOLERANCES: ANGULAR ± 1/2°

	INCH	METRIC
3 PLACE	± .010	---
2 PLACE	± .014	± 0.25
1 PLACE	---	± 0.35

DRAFT WHERE APPLICABLE MUST REMAIN WITHIN DIMENSIONS

▽ = 0 ▼ = 0 REVISE ONLY ON CAD SYSTEM

TITLE  
HOUSING, 2 CIRCUIT  
PLUG AND RECEPTACLE  
.125/(3.18) DIA.  
MOLEX INCORPORATED SHEET NO. DATE  
LITTLEILL. 68932 U.S.A. 2 6/4/87

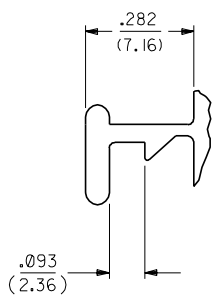
SEE CHART SD-4306-\*

LTR.	REVISIONS	LTR.	REVISIONS
		F	SEE SHEET 1
		E	SEE SHEET 1

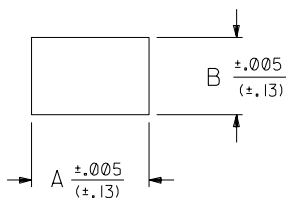
DRWG. BY: CEP  
APP'D. BY: RAS  
CHK'D. BY: RW  
SCALE: 2 : 1

FILE NAME: SD4306X2 DGN  
THIS DRAWING CONTAINS INFORMATION THAT IS PROPRIETARY TO MOLEX INC. AND SHOULD NOT BE USED WITHOUT WRITTEN PERMISSION.  
DIV. CP SIZE B

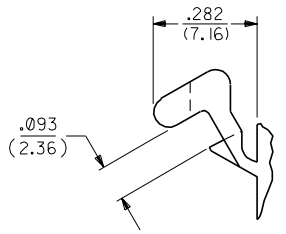
PLUG			RECEPTACLE		
PART NO.	ENG. NO.	DESCRIPTION	PART NO.	ENG. NO.	DESCRIPTION
03-12-2021	4306-P	PLUG WITH STANDARD EARS (DETAIL 1)	03-12-1021	4306-R	RECEPTACLE WITH STANDARD EARS (DETAIL 1)
03-12-2022	4306-PI	PLUG W/O EARS	03-12-1022	4306-RI	RECEPTACLE W/O EARS
03-12-2023	4306-PB	PLUG W/PREBENT EARS (DETAIL 2)	03-12-1023	4306-RB	RECEPTACLE W/PREBENT EARS (DETAIL 2)



DETAIL 1  
STANDARD MOUNTING EAR  
SCALE 4:1



HOUSING	DIM. "A"	DIM. "B"
PLUG	.878/(22.30)	.432/(10.97)
RECEPTACLE	.778/(19.76)	.375/(9.53)



DETAIL 2  
PREBENT MOUNTING EAR  
SCALE 4:1

- NOTES:
1. MATERIAL: NYLON TYPE 6/6, 94V-2, NATURAL.
  2. FOR USE WITH .125/(3.18) DIA. SERIES TERMINALS.
  3. MAXIMUM PANEL THICKNESS .090/(2.29).

DIMENSIONS SHOWN (METRIC) INCH UNLESS OTHERWISE SPECIFIED TOLERANCES: ANGULAR ± 1/2°		▽ = 0	▼ = 0	REVISE ONLY ON CAD SYSTEM												
<table border="1"> <thead> <tr> <th></th> <th>INCH</th> <th>METRIC</th> </tr> </thead> <tbody> <tr> <td>3 PLACE</td> <td>± .010</td> <td>---</td> </tr> <tr> <td>2 PLACE</td> <td>± .014</td> <td>± 0.25</td> </tr> <tr> <td>1 PLACE</td> <td>---</td> <td>± 0.35</td> </tr> </tbody> </table>			INCH	METRIC	3 PLACE	± .010	---	2 PLACE	± .014	± 0.25	1 PLACE	---	± 0.35	TITLE HOUSING, 2 CIRCUIT PLUG AND RECEPTACLE .125/(3.18) DIA.		
	INCH	METRIC														
3 PLACE	± .010	---														
2 PLACE	± .014	± 0.25														
1 PLACE	---	± 0.35														
DRAFT WHERE APPLICABLE MUST REMAIN WITHIN DIMENSIONS		MOLEX INCORPORATED SHEET NO. DATE LISLE, ILL. 60532 U.S.A. 3 6/5/87														
PART NO. F SEE SHEET 1		SEE CHART SD-4306-*														
DRWG. BY: CEP CHK'D. BY: RW		FILE NAME: SD4306X3														
APP'D. BY: RAS SCALE: 2:1		THIS DRAWING CONTAINS INFORMATION THAT IS PROPRIETARY TO MOLEX INC. AND SHOULD NOT BE USED WITHOUT WRITTEN PERMISSION.														
LTR.	REVISIONS	LTR.	REVISIONS	DIV. SIZE CP B												