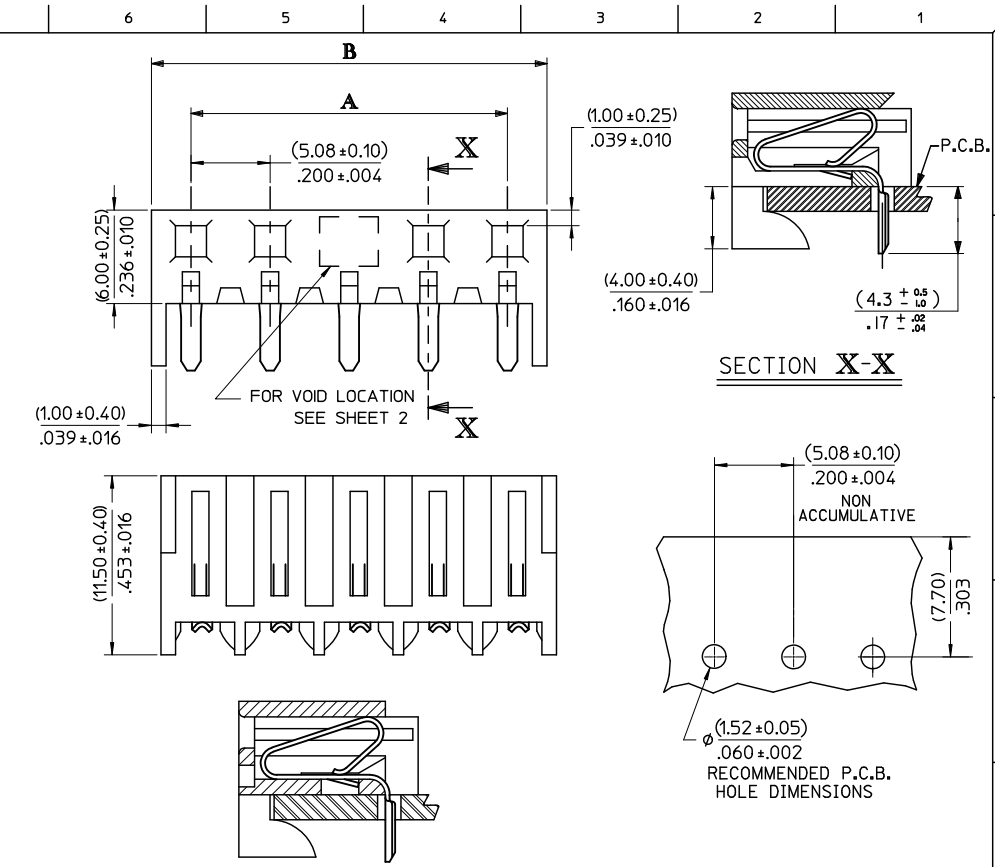


CCT	PART No.	ENG No.	DIM A	DIM B
2	10-10-1021	AE-3002-2A	(5.08 ± 0.10) .200 ± .004	(10.16 ± 0.2) .400 ± .008
3	↑ -1031	↑ -3A	(10.16 ± 0.10) .400 ± .004	(15.24 ± 0.15) .600 ± .008
4	-1041	-4A	(15.24 ± 0.10) .600 ± .004	(20.32 ± 0.2) .800 ± .008
5	-1051	-5A	(20.32 ± 0.10) .800 ± .004	(25.40 ± 0.15) 1.000 ± .008
6	-1061	-6A	(25.40 ± 0.10) 1.000 ± .004	(30.48 ± 0.2) 1.200 ± .008
7	-1071	-7A	(30.48 ± 0.20) 1.200 ± .008	(35.56 ± 0.2) 1.400 ± .008
8	-1081	-8A	(35.56 ± 0.20) 1.400 ± .008	(40.64 ± 0.30) 1.600 ± .008
9	-1091	-9A	(40.64 ± 0.20) 1.600 ± .008	(45.72 ± 0.2) 1.800 ± .008
10	-1101	-10A	(45.72 ± 0.20) 1.800 ± .008	(50.80 ± 0.30) 2.000 ± .008
11	-1111	-11A	(50.80 ± 0.20) 2.000 ± .008	(55.88 ± 0.30) 2.200 ± .012
12	-1121	-12A	(55.88 ± 0.25) 2.200 ± .010	(60.96 ± 0.2) 2.400 ± .012
13	-1131	-13A	(60.96 ± 0.25) 2.400 ± .010	(66.04 ± 0.30) 2.600 ± .012
14	-1141	-14A	(66.04 ± 0.25) 2.600 ± .010	(71.12 ± 0.3) 2.800 ± .012
15	-1151	-15A	(71.12 ± 0.25) 2.800 ± .010	(76.20 ± 0.30) 3.000 ± .012
16	-1161	-16A	(76.20 ± 0.25) 3.000 ± .010	(81.28 ± 0.40) 3.200 ± .012
17	-1171	-17A	(81.28 ± 0.30) 3.200 ± .012	(86.36 ± 0.40) 3.400 ± .016
18	-1181	-18A	(86.36 ± 0.30) 3.400 ± .012	(91.44 ± 0.3) 3.600 ± .012
19	↓ -1191	↓ -19A	(91.44 ± 0.30) 3.600 ± .012	(96.52 ± 0.3) 3.800 ± .012
20	10-10-1201	AE-3002-20A	(96.52 ± 0.30) 3.800 ± .012	(101.60 ± 0.40) 4.000 ± .016



- NOTES:
- HOUSING : NYLON, UL94V-2, COLOR: NATURAL  
TERMINAL : PHOSPHOR BRONZE
  - FINISH: HOT TIN DIP. (0.00254)/.000100 MIN
  - PRODUCT SPECIFICATION : PS-99020-0087
  - PACKAGING SPECIFICATION : TBD
  - HOUSING SUITABLE FOR (1.14±0.15)/.045±.006 RD OR SQ. PINS
  - HOOKS AVAILABLE ON ENDS ONLY
  - THIS PART CONFORMS TO CLASS B REQUIREMENTS OF COSMETIC SPECIFICATION PS-45499-002

ADD/REVISE NOTES	QUALITY SYMBOLS	GENERAL TOLERANCES (UNLESS SPECIFIED)		DIMENSION STYLE		SCALE	DESIGN UNITS	THIRD ANGLE PROJECTION
		mm	INCH	MM/IN	MM/IN			
EC NO: UCP-2011-0101	▽=0	4 PLACES ±	---	---	---	4:1	METRIC	KONEKTCON AND P.C. TAIL TERMINAL ASSEMBLY (5.08)/.200 PITCH
DRWN:MM/PPER 2010/08/10	▽=0	3 PLACES ±	---	---	---			
CHKD:MM/PPER 2010/08/26	▽=0	2 PLACES ±	---	---	---			MOLEX INCORPORATED
APPR:FS/MLH 2010/08/27	▽=0	1 PLACE ±	---	---	---			
		ANGULAR ±		---	°			
		DRAFT WHERE APPLICABLE MUST REMAIN WITHIN DIMENSIONS		SEE CHART				
				MATERIAL NO.		DOCUMENT NO.		SHEET NO.
						SDAE-3002-NA-*		1 OF 2
		THIS DRAWING CONTAINS INFORMATION THAT IS PROPRIETARY TO MOLEX INCORPORATED AND SHOULD NOT BE USED WITHOUT WRITTEN PERMISSION						