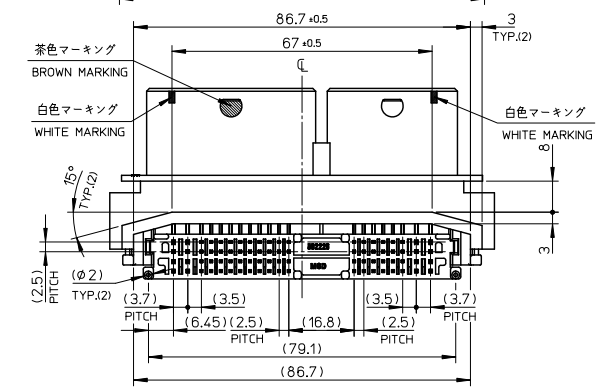
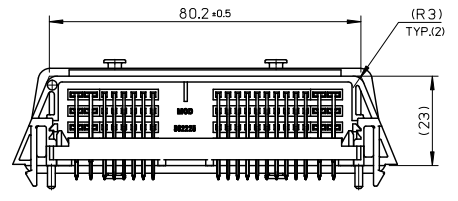
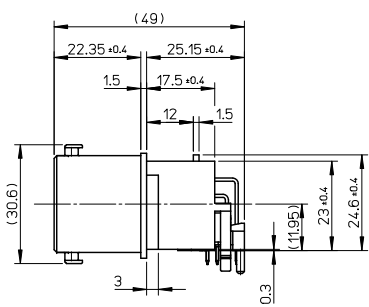
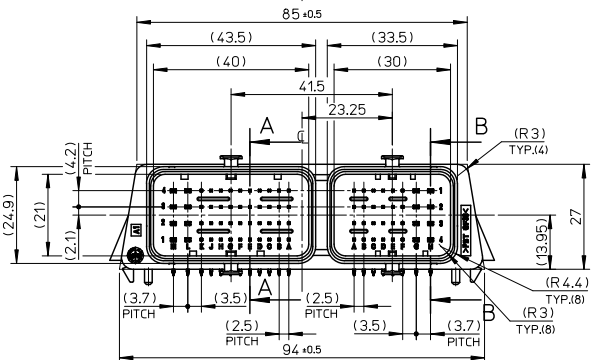
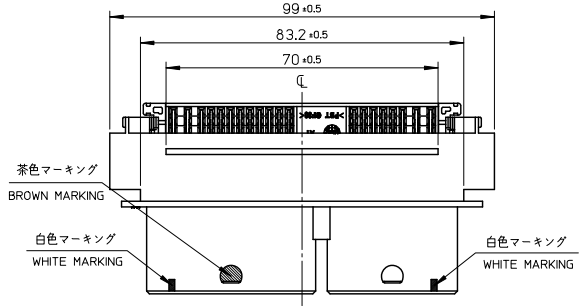


10 9 8 7 6 5 4 3 2 1

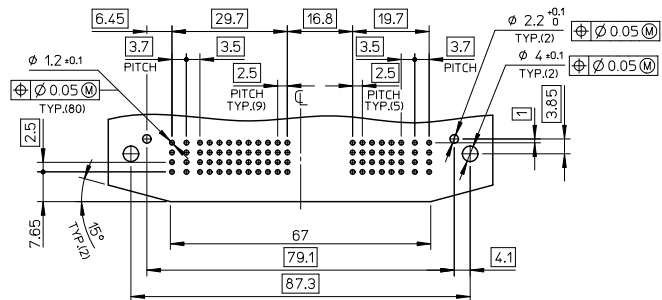
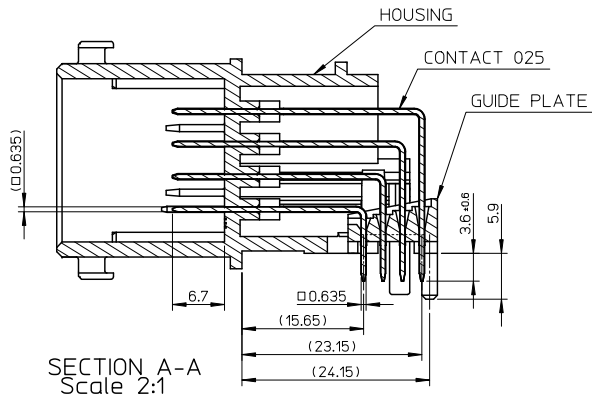


RELEASED EC NO: JTRZ010-0090 0 DRWNSANDO 2006/05/25 CHYKMA YAMAMOTO 2006/5/25 APPR: MAYAMOTO 2010/03/10 REV DESCRIPTION	GENERAL TOLERANCES (UNLESS SPECIFIED)		DIMENSION STYLE MM ONLY		SCALE 1:1	DESIGN UNITS METRIC	THIRD ANGLE PROJECTION	
	10 UNDER	±0.2	DRAWN BY S. ANDO		DATE 2006/5/25		TITLE CMC HEADER 80PIN	
	10 OVER 30 UNDER	±0.25	CHECKED BY MA. YAMAMOTO		DATE 2006/5/25			
	30 OVER	±0.3	APPROVED BY MAYAMOTO		DATE 2010/03/09			
	ANGULAR ±2°	DRAFT WHERE APPLICABLE MUST REMAIN WITHIN DIMENSIONS		MATERIAL NO. 502225-0801	DOCUMENT NO. SD-502225-001		SHEET NO. 1 OF 2	
SIZE A3				THIS DRAWING CONTAINS INFORMATION THAT IS PROPRIETARY TO MOLEX INCORPORATED AND SHOULD NOT BE USED WITHOUT WRITTEN PERMISSION				

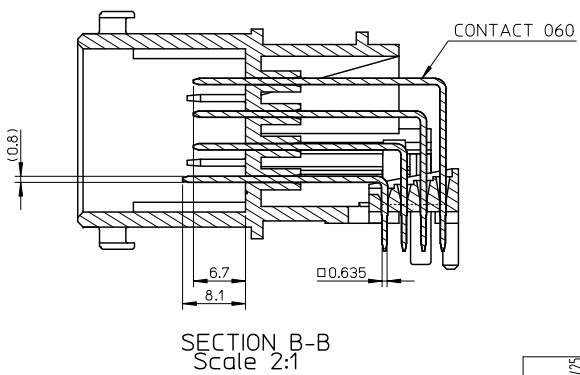
tb_frame_A3_J_AM_S
Rev. E 2006/04/15

EN-02DA(021)

10 9 8 7 6 5 4 3 2 1

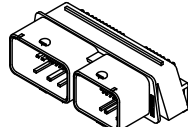


基板穴推奨寸法 (部品実装側)
RECOMMENDED PCB LAYOUT (COMPONENT SIDE)



注記 NOTES

- ハウジング材料: PBT, GF30%, 黒色
HOUSING MATERIAL: PBT, GF30%, BLACK
- 端子材料: 銅合金
CONTACT MATERIAL: COPPER ALLOY
- 端子表面処理:
コンタクト部: 鍍めっき
テール部: 鍍めっき
テールニッケルめっき (025, 060端子全面)
CONTACT PLATING:
CONTACT AREA: Sn PLATING
TAIL AREA: Sn PLATING
UNDER NICKEL PLATING (ALL OVER)
- 適合基板厚: 1.6±0.1mm
APPLICABLE PCB THICKNESS: 1.6±0.1mm
- 適合適合コネクタ:
64319-3211 (32ピン, 黒, 右)
64320-3319 (28ピン, 黒, 右) 又は
64319-1211 (32ピン, 黒, 左)
64320-3319 (28ピン, 黒, 左)
APPL LABEL MATING CONNECTOR:
64319-3211 (32PIN, BLACK, RIGHT)
64319-1211 (32PIN, BLACK, LEFT) OR
64320-3319 (28PIN, BROWN, LEFT)
64320-3319 (28PIN, BROWN, RIGHT)
- 製品仕様書:
PS-64319-001標準
PRODUCT SPECIFICATION:
REFER TO PS-64319-001



RELEASED EC NO: JTRZ010-0090 DRWN:SANDO 2006/05/25 CHKD:MA.YAMAMOTO 2006/05/25 APPR:MAYAMOTO 2010/03/10 0 REV	GENERAL TOLERANCES (UNLESS SPECIFIED)		DIMENSION STYLE MM ONLY	SCALE 1:1	DESIGN UNITS METRIC	THIRD ANGLE PROJECTION
	10 UNDER	±0.2	DRAWN BY S. ANDO	DATE 2006/5/25	TITLE CMC HEADER 80PIN	
	10 OVER 30 UNDER	±0.25	CHECKED BY MA. YAMAMOTO	DATE 2006/5/25		
	30 OVER	±0.3	APPROVED BY MAYAMOTO	DATE 2010/03/09		
ANGULAR ±2°		DRAFT WHERE APPLICABLE MUST REMAIN WITHIN DIMENSIONS	MATERIAL NO. SEE SHEET No.1	DOCUMENT NO. SD-502225-001	SHEET NO. 2 OF 2	