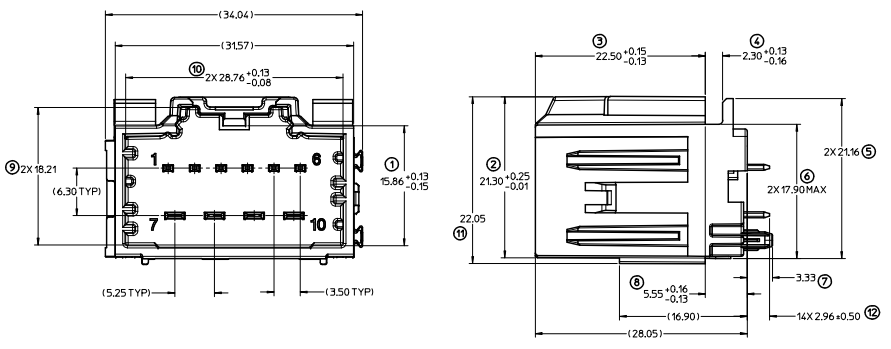
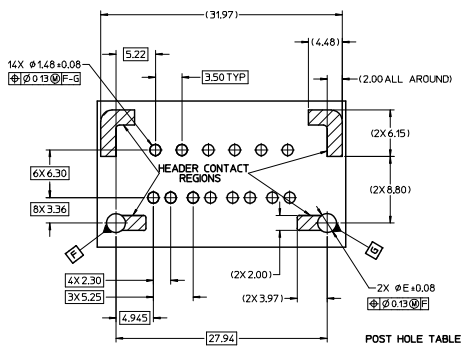


MATERIAL NUMBER		CKT SIZE	DESCRIPTION	POL	COLOR
TUBE PACK	TRAY PACK				
34695-9100	34695-0100	10	POWER STAC VERTICAL HEADER ASSEMBLY	A	BLACK
34695-9101	34695-0101	10	POWER STAC VERTICAL HEADER ASSEMBLY	B	GREY



RECOMMENDED PCB LAYOUT



POST HOLE TABLE

FOR DIM E:	
PRESS FIT	Ø2.60
DROP IN	Ø3.05

- NOTES: VALID UNLESS OTHERWISE SPECIFIED
1. GENERAL:
- a. CONNECTOR HEADER MUST BE VALIDATED TO THE FOLLOWING FUNCTIONAL REQUIREMENTS:
 - PIN RETENTION = USCAR-2 REV 4
 - SOLDERABILITY = SMES-152
 - b. APPLICATION REQUIREMENTS (REFERENCE ONLY) FOR:
 - SEE APPLICATION SPECIFICATION = AS-34690-000
 - SEE PRODUCT SPECIFICATION = PS-31372-100
 - MATES WITH: SD-31372-900
 - c. PACKAGING SPECIFICATION PER MOLEX DRAWING PK-31300-892
2. DESIGN: MATERIALS:
- a. SHROUD (PLASTIC HOUSING):
 - RESIN - SPS 30%GF
 - b. 150mm BLADES:
 - BASE MATERIAL: C19400
 - PLATING TYPE: AS NOTED
 - c. 2.80mm BLADES:
 - BASE MATERIAL: C19400
 - PLATING TYPE: AS NOTED
3. PLATING REQUIREMENTS:
- a. UNDERPLATING - OVERALL NICKEL
 - b. OVERPLATING - OVERALL TIN

UPDATED DIMENSIONS ELC NO. 144-0203-075 2008/01/18 CHKD: COLLON 2008/03/10 APPR: SARGENT 2008/03/11 REV 1	QUALITY SYMBOLS	GENERAL TOLERANCES (UNLESS SPECIFIED)	DIMENSION STYLE	SCALE	DESIGN UNITS	THIRD ANGLE PROJECTION															
		<table border="1"> <thead> <tr> <th></th> <th>MM</th> <th>INCH</th> </tr> </thead> <tbody> <tr> <td>4 PLACES</td> <td>±---</td> <td>±---</td> </tr> <tr> <td>3 PLACES</td> <td>±---</td> <td>±---</td> </tr> <tr> <td>2 PLACES</td> <td>±0.13</td> <td>±---</td> </tr> <tr> <td>1 PLACE</td> <td>±0.25</td> <td>±---</td> </tr> </tbody> </table>		MM	INCH	4 PLACES	±---	±---	3 PLACES	±---	±---	2 PLACES	±0.13	±---	1 PLACE	±0.25	±---	MM ONLY	4:1	METRIC	
		MM	INCH																		
	4 PLACES	±---	±---																		
3 PLACES	±---	±---																			
2 PLACES	±0.13	±---																			
1 PLACE	±0.25	±---																			
		DRAFT WHERE APPLICABLE MUST REMAIN WITHIN DIMENSIONS	DRAWN BY: M. BAILEY DATE: 10/02/06 CHECKED BY: ED LILLON DATE: 04/18/07 APPROVED BY:			TITLE: STAC64 SINGLE BAY VERT 10 CKT. HEADER ASSEMBLY SALES DRAWING MOLEX INCORPORATED															
			MATERIAL NO. SEE CHART	DOCUMENT NO. SD-34695-100		SHEET NO. 1 OF 1															

THIS DRAWING CONTAINS INFORMATION THAT IS PROPRIETARY TO MOLEX INCORPORATED AND SHOULD NOT BE USED WITHOUT WRITTEN PERMISSION