


**SACC-VQ-3CON-A-FL 24**

Order No.: 1553886

<http://eshop.phoenixcontact.de/phoenix/treeViewClick.do?UID=1553886>

Sensor/actuator connector, 4-pos., type A valve connector, with QUICKON connection, with red LED, connection cross-section of 0.34 to 0.75 mm<sup>2</sup>, with a cable inlet for round cables of 5.6 to 9 mm

**Commercial data**

GTIN (EAN)	
sales group	D123
Pack	1 pcs.
Customs tariff	85366990
Catalog page information	Page 95 (PC-2007)

**Product notes**

WEEE/RoHS-compliant since:  
09/26/2006



<http://www.download.phoenixcontact.com>  
Please note that the data given here has been taken from the online catalog. For comprehensive information and data, please refer to the user documentation. The General Terms and Conditions of Use apply to Internet downloads.

**Technical data****General data**

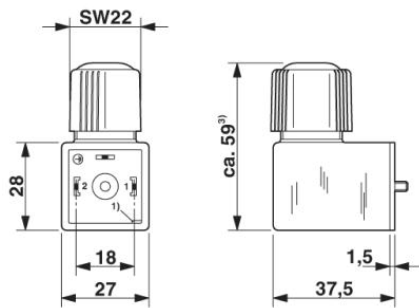
Rated current at 40°C	4 A
Rated voltage	24 V
Number of positions	4

**General characteristics**

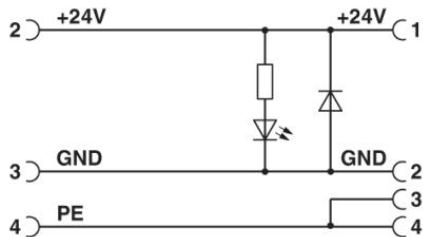
Surge voltage category	II
Pollution degree	3
Degree of protection	IP65
Contact material	CuSn
Contact surface material	Ag
Material, housing, valve plug	PA
Type of connection	QUICKON fast connection
Conductor cross section stranded min.	0.75 mm <sup>2</sup>
Conductor cross section stranded max.	1.5 mm <sup>2</sup>
Conductor cross section AWG/kcmil min.	18
Conductor cross section AWG/kcmil max	16
External cable diameter	5.6 mm ... 9 mm
Status display	LED red

**Diagrams/Drawings**

Dimensioned drawing



Circuit diagram



**Address**

PHOENIX CONTACT Inc., USA  
586 Fulling Mill Road  
Middletown, PA 17057, USA  
Phone (800) 888-7388  
Fax (717) 944-1625  
<http://www.phoenixcon.com>



© 2010 Phoenix Contact  
Technical modifications reserved;