


# SACC-V-5CON-PG9/AD-2L 24V

Order No.: 1527948




<http://eshop.phoenixcontact.de/phoenix/treeViewClick.do?UID=1527948>

Valve connector, 5-pos., type A, for pressure switch, 2 LEDs, without protective circuit, screw connection, cable screw connection Pg9

Commercial data	
GTIN (EAN)	 4 017918 980979
sales group	D123
Pack	1 pcs.
Customs tariff	85369010
Catalog page information	Page 110 (PC-2009)

**Product notes**

WEEE/RoHS-compliant since:  
03/22/2006



<http://www.download.phoenixcontact.com>  
Please note that the data given here has been taken from the online catalog. For comprehensive information and data, please refer to the user documentation. The General Terms and Conditions of Use apply to Internet downloads.

Technical data	
<b>General data</b>	
Rated current at 40°C	4 A
Rated voltage	24 V
Number of positions	5
Volume resistance	≤ 15 mΩ

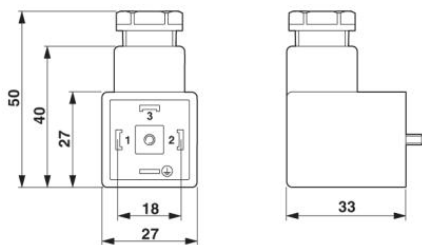
Insulation resistance	≥ 100 MΩ
Ambient temperature (operation)	-25 °C ... 85 °C (valve plug)

**General characteristics**

Surge voltage category	II
Pollution degree	3
Degree of protection	IP65
Contact material	CuSn
Contact surface material	Ni
Valve plug contact insert material	PA6
Material, housing, valve plug	PA6
Sealing material	NBR
Type of connection	Screw connection
Conductor cross section stranded min.	0.34 mm <sup>2</sup>
Conductor cross section stranded max.	1.5 mm <sup>2</sup>
Conductor cross section AWG/kcmil min.	22
Conductor cross section AWG/kcmil max	16
External cable diameter	6 mm ... 8 mm
Status display	2 LEDs

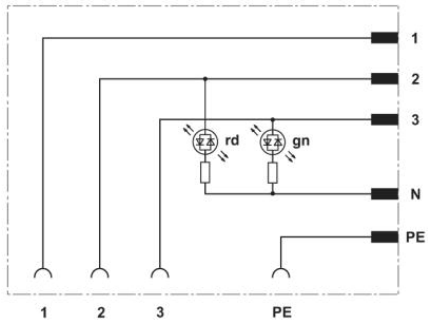
**Diagrams/Drawings**

Dimensioned drawing



Circuit diagram

---



**Address**

PHOENIX CONTACT Inc., USA  
586 Fulling Mill Road  
Middletown, PA 17057, USA  
Phone (800) 888-7388  
Fax (717) 944-1625  
<http://www.phoenixcon.com>



© 2010 Phoenix Contact  
Technical modifications reserved;