

# HC-D 40-A-UT-PEL-F


Order No.: 1584253



<http://eshop.phoenixcontact.de/phoenix/treeViewClick.do?UID=1584253>

HEAVYCON terminal adapter female insert, D40 series, 40-pos., right PE connection for the left side of the control cabinet, screw connection

## Commercial data

|                          |  |
|--------------------------|--|
| GTIN (EAN)               | <br>4 046356 142328 |
| sales group              | D004   |
| Pack                     | 1 pcs.   |
| Customs tariff           | 85366990   |
| Catalog page information | Page 470 (PC-2009)   |

## Product notes

WEEE/RoHS-compliant since:  
03/17/2009



<http://www.download.phoenixcontact.com>  
Please note that the data given here has been taken from the online catalog. For comprehensive information and data, please refer to the user documentation. The General Terms and Conditions of Use apply to Internet downloads.

## Technical data

### Electrical characteristics

|                                  |   |
|----------------------------------|---|
| Note                             | For HEAVYCON-ADVANCE mounting flange and HEAVYCON panel mounting base of B16 type |
| Number of positions              | 40  |
| Connection in acc. with standard | IEC / EN  |
| Rated voltage (III/3)            | 250 V   |

|                     |      |
|---------------------|------|
| Rated surge voltage | 4 kV |
| Rated current       | 10 A |

**Mechanical characteristics**

|   |   |
|---|---|
| Design                                  | D40   |
| Connection method                       | Screw connection                            |
| Tightening torque                       | 0.5 Nm ... 0.8 Nm                           |
| Stripping length of the individual wire | 10 mm                                       |
| Conductor cross-section                 | 0.5 mm <sup>2</sup> ... 2.5 mm <sup>2</sup> |
| Connection cross-section AWG            | 22 ... 12                                   |

**General characteristics**

|                                    |   |
|------------------------------------|---|
| Contact material                   | Copper alloy  |
| Contact surface material           | Ag  |
| Contact carrier material           | PA  |
| Terminal adapter width             | 56 mm   |
| Height                             | 81 mm   |
| Pollution degree                   | 3   |
| Surge voltage category             | III   |
| Inflammability class acc. to UL 94 | V0  |
| Connection in acc. with standard   | IEC / EN  |
| Ambient temperature (operation)    | -40 °C ... 125 °C   |
| Installation instructions          | Connectors may be plugged in only when there is no load/voltage. Not for HC-B 16-AMQ-EMV housings |

**Accessories**

| Item | Designation | Description |
|------|-------------|-------------|
|------|-------------|-------------|

**Assembly**

|         |          |   |
|---------|----------|---|
| 1775240 | HC-KA-FE | Foot element, for mounting on DIN rail NS 32, DIN rail NS 35/7.5 or DIN rail NS 35/15, can be inserted between basic and side element |
| 1660083 | HC-VSH   | Locking screw barrel, for a firm connection of contact inserts and DIN-rail mountable terminal adapters                               |

**General**

|         |          |   |
|---------|----------|---|
| 1644326 | HC-B-3PE | PE multiplier, for three PE connections, for HC-B (besides HC-B..E..ZZ) / HC-BB / HC-DD / HC-D40 / HC-D64 contact inserts |
|---------|----------|---|

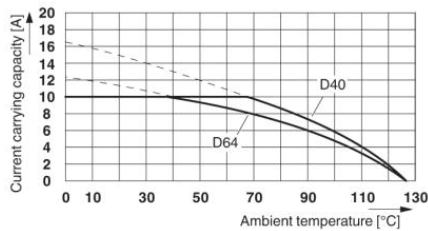
|         |          |   |
|---------|----------|---|
| 1604997 | HC-B-PES | PE screw, for contact inserts HC-B / HC-BB / HC-DD / HC-D40 / HC-D64                                |
| 1772722 | HC-CB    | Coding pin, prevents mismatching of up to six plug connectors with an identical number of positions |
| 1676860 | HC-CBU   | Keying socket for coding up to 16 plug connectors   |
| 1676857 | HC-CST   | Keying peg for coding up to 16 plug connectors  |

**Marking**

|         |                  |   |
|---------|------------------|---|
| 1050004 | ZB 5 :UNBEDRUCKT | Zack strip, unprinted, 10-section, for individual labeling with M-PEN, ZB-T or CMS system, pack is sufficient for 100 terminal blocks, for a terminal width of 5.2 mm, color: White |
|---------|------------------|---|

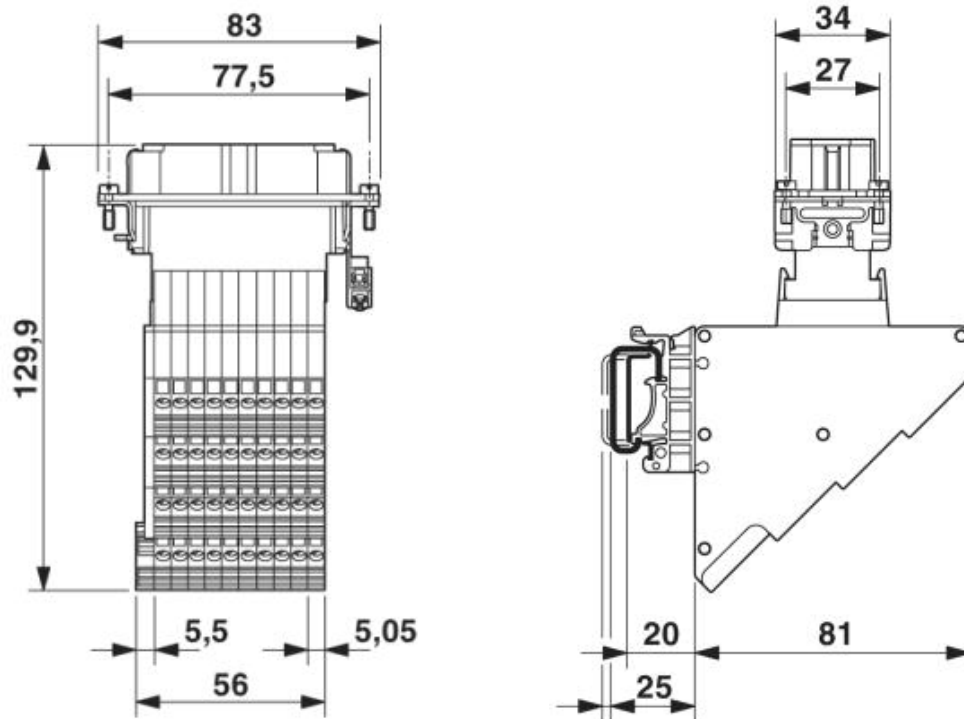
**Diagrams/Drawings**

Diagram



Derating diagram

Dimensioned drawing



**Address**

PHOENIX CONTACT Inc., USA  
586 Fulling Mill Road  
Middletown, PA 17057, USA  
Phone (800) 888-7388  
Fax (717) 944-1625  
<http://www.phoenixcon.com>



© 2010 Phoenix Contact  
Technical modifications reserved;