


SACB-4/ 8-M23 SH

Order No.: 1695757

The illustration shows a version with 8 slots

<http://eshop.phoenixcontact.de/phoenix/treeViewClick.do?UID=1695757>

Sensor/actuator box, M12 female connector, Number of slots: 4,
Number of positions: 5, Slot assignment: Double, Status indication:
No, Universal 90°, Shielding: Yes

| Commercial data | |
|--------------------------|---|
| GTIN (EAN) |  4 017918 899394 |
| Note | Made-to-order |
| sales group | D107 |
| Pack | 1 pcs. |
| Customs tariff | 85366990 |
| Catalog page information | Page 120 (PC-2009) |

Product notes

WEEE/RoHS-compliant since:
03/29/2006



<http://www.download.phoenixcontact.com>
Please note that the data given here has been taken from the online catalog. For comprehensive information and data, please refer to the user documentation. The General Terms and Conditions of Use apply to Internet downloads.

| Technical data | |
|--|---------|
| General data | |
| Rated voltage | 48 V |
| | 60 V DC |
| Current carrying capacity per I/O signal | 2 A |
| Current carrying capacity per slot | 4 A |

| | |
|------------------------------------|----------------------|
| Total rated current | 12 A |
| Number of positions | 5 |
| Number of slots | 4 |
| Degree of protection | IP65/IP67 |
| Inflammability class acc. to UL 94 | V0 |
| Ambient temperature (operation) | -25 °C ... 70 °C |
| Sensor/actuator connection system | M12 female connector |

Master cable data

| | |
|--|---------------------|
| Type of connection | M23 plug connection |
| Tightening torque slot sensor/actuator cable | 0.4 Nm |
| Tightening torque screw plug | 0.4 Nm |

Insulation material

| | |
|--|---------------|
| Housing material | Aluminum |
| Housing surface material | Nickel-plated |
| Material of the moulding mass | PUR |
| Contact material | Cu alloy |
| Contact surface material | Gold-plated |
| Contact carrier material | PA |
| Material of contact, master cable side | CU alloy |
| Material of contact surface, master cable side | Gold-plated |
| Material of the contact carrier on the master cable side | PA 66 V0 |
| Material, O-ring | NBR |

Pin assignment

| | |
|--|-----------------------|
| Slot/position = Wire color or connection | 1 / 4 (A) = 15 |
| | 1 / 2 (B) = 7 |
| | 2 / 4 (A) = 5 |
| | 2 / 2 (B) = 4 |
| | 3 / 4 (A) = 16 |
| | 3 / 2 (B) = 8 |
| | 4 / 4 (A) = 3 |
| | 4 / 2 (B) = 14 |
| | 1-4 / 1 (+ 48 V) = 19 |
| | 1-4 / 3 (0 V) = 6 |
| | 1-4 / 5 (PE) = 12 |

Certificates / Approvals



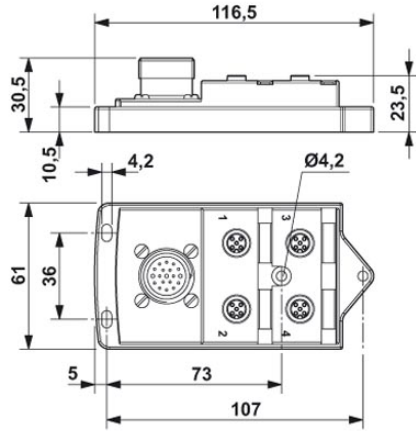
Certification GOST

Accessories

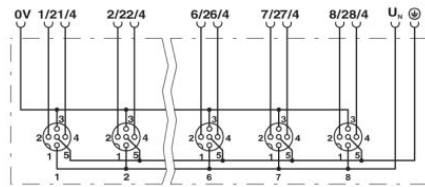
| Item | Designation | Description |
|--|----------------------------|---|
| Marking | | |
| 2809128 | ZBN 18:UNBEDRUCKT | Unprinted marker labels, strips with 5 labels for individual labeling with M-PEN or CMS system, for terminal block width: 17.5 mm, color: White |
| Protection and sealing elements | | |
| 1503302 | PROT-M12 SH | An M12 screw plug for the unoccupied M12 sockets of the shielded sensor/actuator cable, boxes and flush-type connectors |
| Socket | | |
| 1685505 | RC/TGGM/KVD/LBL 16+3 | Female connector M23, 19-pos., straight, shielded, freely configurable, with solder connection, for external cable diameter 9.5 mm ... 14.5 mm |
| 1685518 | RC/TWGM/KVD/LBL 16+3 | Female connector M23, 19-pos., angled, shielded, freely configurable, with solder connection, for external cable diameter 9.5 mm ... 14.5 mm |
| 1519529 | RCK-TWGM/BL16+3/ 5,0PUR SH | Female connector M23, 19-pos., angled, shielded, with shielded, connected master cable, length: 5 m |
| 1511828 | RCK-TWGM/BL16+3/10,0PUR SH | Female connector M23, 19-pos., angled, shielded, with shielded, connected master cable, length: 10 m |
| Tools | | |
| 1208432 | SAC BIT M12-D15 | Nut for assembling sensor/actuator cables with M12 connector and for M12 connectors with QUICKON fast connection technology, for 4 mm hexagonal drive |
| 1208445 | SACC BIT M12-D20 | Nut for assembling SACC M12 connectors for free assembly, excluding M12 connectors with QUICKON fast connection technology, for 4 mm hexagonal drive |
| 1208429 | TSD 04 SAC | Torque screwdriver, with preset torque of 0.4 Nm and 4 mm hexagonal drive for M12 connectors |

Diagrams/Drawings

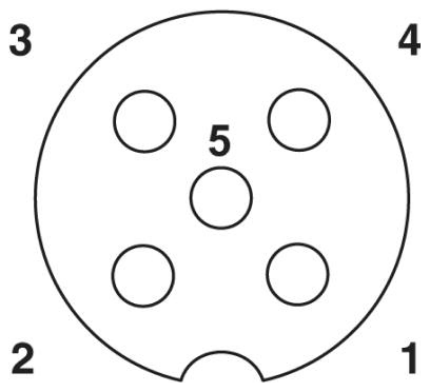
Dimensioned drawing



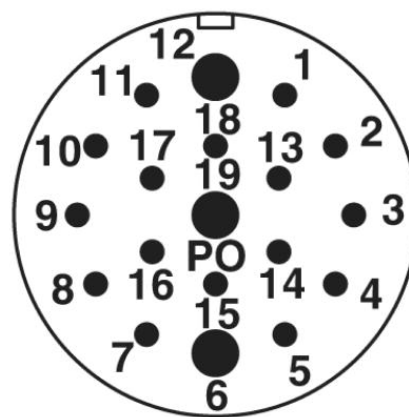
Circuit diagram



Schematic diagram



M12 slot, socket, 5-pos.



M23 plug connection pin, 19-pos.

Address

PHOENIX CONTACT Inc., USA
586 Fulling Mill Road
Middletown, PA 17057, USA
Phone (800) 888-7388
Fax (717) 944-1625
<http://www.phoenixcon.com>



© 2010 Phoenix Contact
Technical modifications reserved;