


SACB-6Q/4P-L-SC

Order No.: 1662942




<http://eshop.phoenixcontact.de/phoenix/treeViewClick.do?UID=1662942>

Sensor/actuator box, QUICKON, 0.34 mm² ... 0.75 mm², Number of slots: 6, Number of positions: 4, Slot assignment: Single, Status indication: Yes, pnp 180°, Shielding: No

Commercial data	
GTIN (EAN)	 4 017918 137496
sales group	D105
Pack	1 pcs.
Customs tariff	85366990
Catalog page information	Page 119 (PC-2009)

Product notes

WEEE/RoHS-compliant since:
06/18/2007



<http://www.download.phoenixcontact.com>
Please note that the data given here has been taken from the online catalog. For comprehensive information and data, please refer to the user documentation. The General Terms and Conditions of Use apply to Internet downloads.

Technical data	
General data	
Rated voltage	24 V DC
Max. operating voltage U_{max}	30 V DC
Current carrying capacity per I/O signal	4 A
Current carrying capacity per slot	4 A

Total rated current	12 A
Number of positions	4
Number of slots	6
Degree of protection	IP65/IP67
Inflammability class acc. to UL 94	V0
Ambient temperature (operation)	-25 °C ... 60 °C
Sensor/actuator connection system	QUICKON

Local diagnostics function

Local diagnostics	Supply voltage per module Green LED
	Status display I/O Yellow LED

Master cable data

Type of connection	Spring-cage conn.
Conductor cross-section min. (signal)	0.14 mm ²
Conductor cross-section max. (signal)	1 mm ²
Conductor cross-section AWG min. (signal)	26
Conductor cross-section AWG max. (signal)	17
Conductor cross-section min. (energy)	0.2 mm ²
Conductor cross-section max. (energy)	1.5 mm ²
Conductor cross-section AWG min. (energy)	24
Conductor cross-section AWG max. (energy)	16
External cable diameter min.	6.5 mm
External cable diameter max.	9.5 mm
Stripping length	10 mm
Tightening torque, union nut	2.5 Nm

Conductor data

Structure of individual litz in acc. with VDE 0295 / smallest wire diameter	Class 2-6 // 0.34 mm ² : 0.1 mm; 0.5 - 0.75 mm ² : 0.15 mm
Wire insulation material	PVC/PE
Wire diameter including insulation	≤ 2.5 mm
Minimum external conductor diameter	4 mm
Maximum external conductor diameter	7.5 mm
Tightening torque, union nut	2.5 Nm
Wrench size, union nut	22 mm
Note on the frequency of connections	if the conductor is connected more than once, seal and cap may need to be replaced.

Conductor cross section stranded max.	0.75 mm ²
Conductor cross section stranded min.	0.34 mm ²
Conductor cross section AWG/kcmil min.	22
Conductor cross section AWG/kcmil max	18

Insulation material

Housing material	PA
Material of the moulding mass	PUR
Contact material	Steel/copper
Contact surface material	Sn
Material of contact, master cable side	CuZn
Material of contact surface, master cable side	NiSn
Material of the contact carrier on the master cable side	PA 66 V0

Pin assignment

Slot/position = Wire color or connection	1 / 4 (A) = 1 / 4
	2 / 4 (A) = 2 / 4
	3 / 4 (A) = 3 / 4
	4 / 4 (A) = 4 / 4
	5 / 4 (A) = 5 / 4
	6 / 4 (A) = 6 / 4
	1-6 / 1 (+ 24 V) = U _N
	1-6 / 3 (0 V) = 0 V
	1-6 / 5 (PE) = PE

Certificates / Approvals



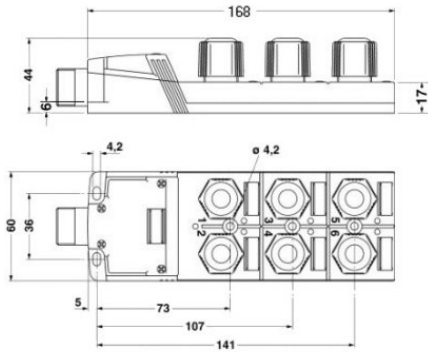
Certification

CUL, GOST, UL

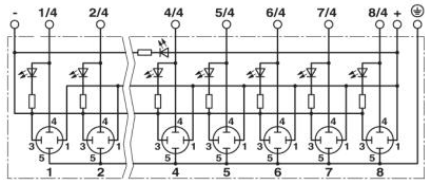
Accessories		
Item	Designation	Description
Assembly		
1670743	Q SET-11/4 COD1 SACB-Q	QUICKON set for replacement purposes, consisting of pressure nut, cap, line seal and splice ring
General		
1503331	SACB- 6X0,34/ 3X0,75-50,0 PUR	Master cable for sensor/actuator boxes, with PE conductor, unshielded, material PUR/PVC, 9-pos., 6 x 0.34 mm ² and 3 x 0.75 mm ²
Grommet		
1680377	SACB-D PG 13,5 (4,0-6,5) YE	Rubber seal for Pg screw connection 13.5, for conductor diameter 4.0 mm ... 6.5 mm
1680380	SACB-D PG 13,5 (6,5-9,5) BK	Rubber seal for Pg screw connection 13.5, for conductor diameter 6.5 mm ... 9.5 mm
1680393	SACB-D PG 13,5 (9,0-13,0) RD	Rubber seal for Pg screw connection 13.5, for conductor diameter 9.0 mm ... 13.0 mm
Marking		
2809128	ZBN 18:UNBEDRUCKT	Unprinted marker labels, strips with 5 labels for individual labeling with M-PEN or CMS system, for terminal block width: 17.5 mm, color: White
Protection and sealing elements		
1670235	Q-PROT 9/11	Closing cap for PG9/PG11 to close unoccupied connections
Tools		
1670206	QSS 22	Allen wrench, for loosening and fastening the QUICKON union nut, WAF 22 mm
1206450	SZK PZ1 VDE	Screwdriver, PZ crosshead, VDE insulated, size: PZ 1 x 80 mm, 2-component grip, with non-slip grip

Diagrams/Drawings

Dimensioned drawing

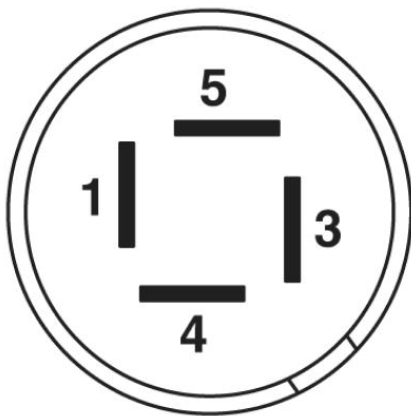


Circuit diagram



Schematic diagram

QUICKON connection, 4-pos.



Address

PHOENIX CONTACT Inc., USA
586 Fulling Mill Road
Middletown, PA 17057, USA
Phone (800) 888-7388
Fax (717) 944-1625
<http://www.phoenixcon.com>



© 2010 Phoenix Contact
Technical modifications reserved;